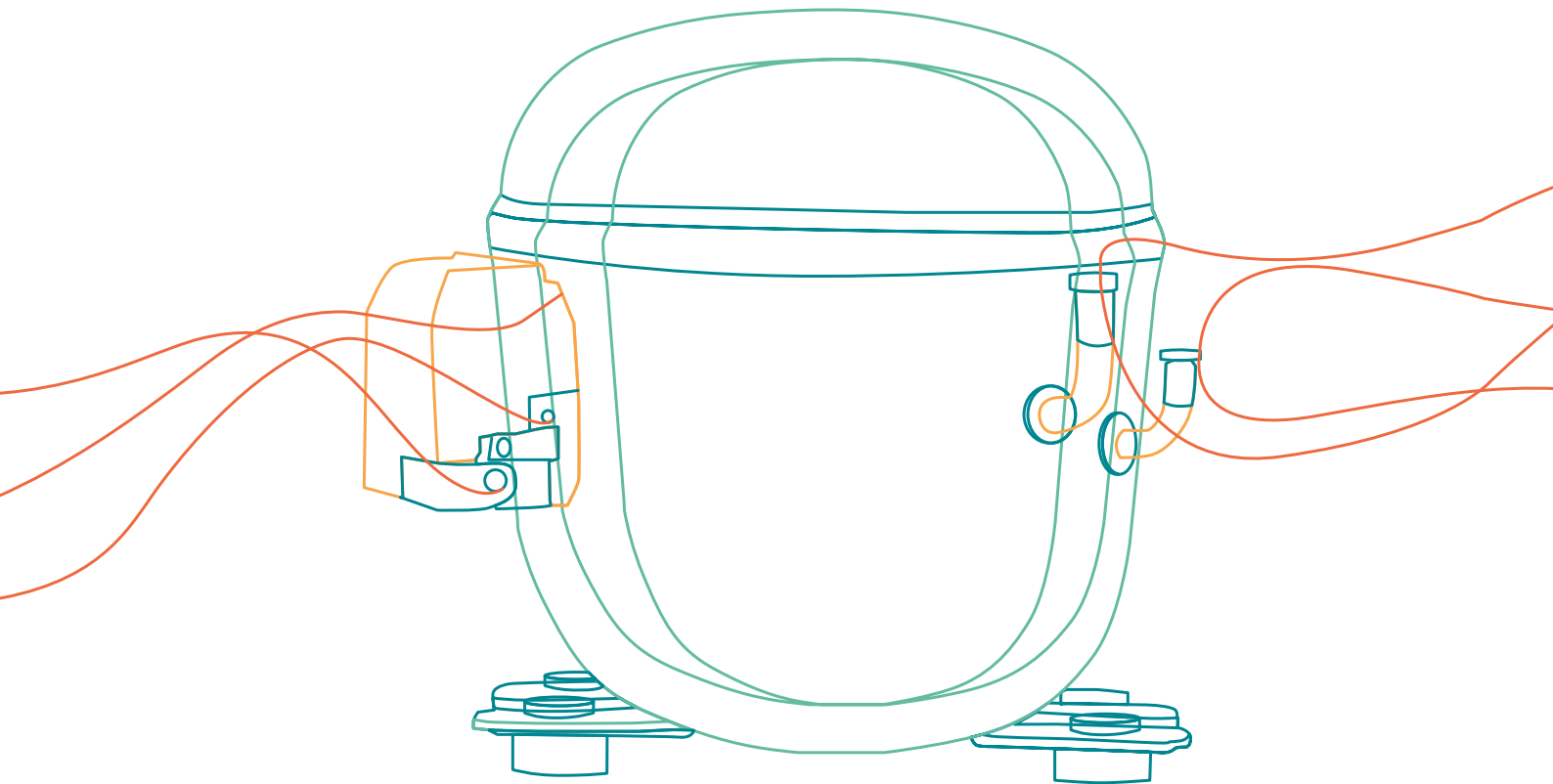


COMPRESSORS EUROPE

TAILORED EFFICIENCY



Maximum energy optimization
from production to product.

- R134a ● R290
- R404A/R507/R452A
- R600a

embraco

POWER IN.
CHANGE ON.



01

ABOUT EMBRACO

02

OUR PRODUCTS

03

APPLICATION
GUIDE

04

PRODUCT MAP

05

NOMENCLATURE

06

TECHNICAL
INFORMATION

07

GENERAL DATA
& PERFORMANCE

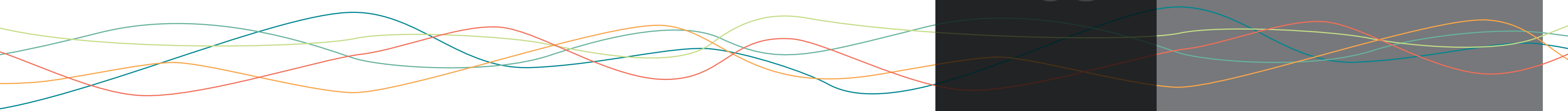
08

EXTERNAL VIEWS &
WIRING DIAGRAMS

09

FULLMOTION DRIVERS
(INVERTERS)

embraco POWER IN.
CHANGE ON.



EMBRACO is a company specialized in cooling solutions and world leader in the hermetic compressor market. **Our mission: provide innovative solutions for a better quality of life,** always attentive to technological excellence and sustainability.

Technological leadership, operational excellence and sustainability are some of the pillars which ensure the EMBRACO differential over other companies in the world market. Its products are now considered the favorite leading home appliance manufacturers by major automakers and are spotlighted by manufacturers of commercial refrigeration equipment.

With global operations and production capacity exceeding 38 million units a year, the company offers solutions that are differentiated for their innovation and low energy consumption. Its 11.500 employees work in factories and offices located in Brazil (headquarters), China, Italy, Slovakia, Mexico, the United States and Russia.

Energy efficiency is constantly sought in the processes, products and relationships with the communities where it operates. Our company is the absolute leader in this segment, being able to offer products that meet the most restrictive international standards regarding energy consumption.

As a worldwide leader, **EMBRACO** tries to anticipate market changes, and in doing so, our company is in a state of permanent transformation. We continuously assess our processes in order to maintain our leadership within the industry and promote growth, without forgetting the pillars of our organization.



More than 12000 employees



More than 400 professionals in R&D



Production capacity of over 37 million compressors per year



More than 500 million products produced to date



More than 1200 patents worldwide



Business conducted in more than 80 countries



R&D laboratories on 4 continents

embraco



HIGH EFFICIENCY



Energy efficiency drives our product development. This means producing compressors that consume less energy and less raw material in manufacturing, while at the same time maintaining Embraco brand quality. Thus, we continually invest in research and development to create products that are increasingly more economical, quieter and environmentally friendly. As a result of efforts to increase energy efficiency in our products, and to surpass our customers' highest expectations, we have developed Embraco Fullmotion Inverter – a compressor that varies the cooling capacity according to the need, providing a reduction in energy consumption by up to 40%.

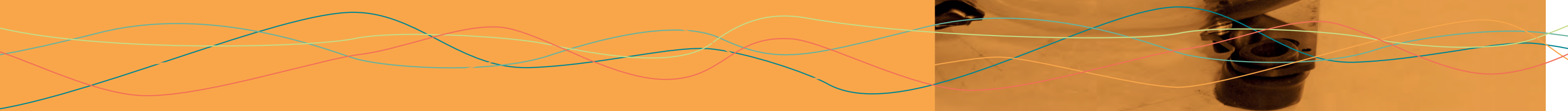
We have a full product portfolio that offers compressors of the most diverse ranges of efficiency. We are a global benchmark in developing solutions that meet the most stringent international standards regarding energy consumption. With a commitment to seek continuous product and process improvement, each new generation of Embraco compressors is more efficient than the previous one.

GREEN SOLUTIONS






Consciously evolving, we are concerned with developing more environmentally friendly solutions. For more than 20 years, we have been developing products prepared for the use of natural refrigerant gases R290 and R600a, because we believe that they are the ideal gases for refrigeration. These refrigerant gases are alternatives for reducing the negative effects on the ozone layer and the greenhouse effect, and for improving the energy efficiency index, which meet the strictest environmental regulations.

OUR PRODUCTS



SINGLE SPEED COMPRESSORS

EM	
EG	
F	
NE	
NT	
NTU	
NJ	

FULLMOTION INVERTER COMPRESSORS


VEM	
VEG	
VNE	
VES	

CONDENSING UNITS


UEM	
UNE	
UNT	
UNJ	
UF	

SLIDING UNITS


STANDARD RANGE	
EXTENDED RANGE	
MULTICOMPRESSORS SOLUTION	
AVAILABLE WITH 2 OR 3 COMPRESSORS	
	

EM		EM COMPRESSORS SUIT FOLLOWING APPLICATIONS:		
	<ul style="list-style-type: none"> • High efficiency • Robustness • Wide application range • Small size • Low noise • Best in class up to 11 cm³ 			Water cooler Beverage cooler Ice maker Beer dispenser Reach-in Chest freezer Vending machine Wine coolers Small dispenser Food exhibitor
	REFRIGERANTS	Displacement range (cm ³)	Capacity range W	Max efficiency W/W
	R134a; R404A; R290; R600a;	3 - 11	LBP: 75 - 390 HBP: 250 - 800	LBP: 1.54 HBP: 2.62

ASHRAELBP32 - ASHRAEHBP46
Valid only for EU models

NE		NE COMPRESSORS SUIT FOLLOWING APPLICATIONS:		
	<ul style="list-style-type: none"> • High efficiency • Robustness • Wide application range • Low noise 			Beverage cooler Ice maker Beer dispenser Reach-in Chest freezer Upright cabinets Refrigerators and freezers Professional kitchen Show cases Slushy machine
	REFRIGERANTS	Displacement range (cm ³)	Capacity range W	Max efficiency W/W
	R134a; R404A/R507/ R452A; R290; R600a	4.40 - 16.80	LBP: 187 - 950 HBP: 516 - 2292	LBP: 1.56 HBP: 2.79


ASHRAELBP32 - ASHRAEHBP46

F		F COMPRESSORS SUIT FOLLOWING APPLICATIONS:		
	<ul style="list-style-type: none"> • High efficiency • Robustness • Wide application range • Small size 			Water cooler Beverage coolers Ice maker Beer dispenser Reach-in Chest freezer Professional Kitchen Vending machine Refrigerated island Show cases Wine coolers Heat pumps Food exhibitor
	REFRIGERANTS	Displacement range (cm ³)	Capacity range W	Max efficiency W/W
	R134a; R290; R600a	6 - 12.92	LBP: 115 - 490 HBP*: 670 - 1575	LBP: 1.58 HBP*: 2.92


ASHRAELBP32 - ASHRAEHBP32

NT		NT COMPRESSORS SUIT FOLLOWING APPLICATIONS:		
	<ul style="list-style-type: none"> • High efficiency • Robustness • Wide application range • Low noise • Best in class up to 27,80 cm³ • Designed for Medical & Scientific ULT refrigerators 			Beverage coolers Ice maker Beer dispenser Reach-in Chest freezers Upright cabinets Ultra low temperature refrigerators Professional kitchen Slushy machine
	REFRIGERANTS	Displacement range (cm ³)	Capacity range W	Max efficiency W/W
	R134a; R404A/R507/ R452A; R290	12.60 - 27.80	LBP: 576 - 1670 HBP: 1607 - 3885	LBP: 1.47 HBP: 2.81


ASHRAELBP32 - ASHRAEHBP46

NTU		NTU COMPRESSORS SUIT FOLLOWING APPLICATIONS:	
	<ul style="list-style-type: none"> • High efficiency • High robustness level for severe application • Continuous liquid return acceptance • Wide application range • Smallest size in this cooling capacity 		Ice maker Beer dispenser
	REFRIGERANTS	Displacement range (cm ³)	Capacity range W
	R134a; R404A/ R507/R452A	20.40 - 27.80	HBP: 2424 - 5333
			Max efficiency W/W
			HBP: 3.09


ASHRAELBP32 - ASHRAEHBP46

NJ		NJ COMPRESSORS SUIT FOLLOWING APPLICATIONS:	
	<ul style="list-style-type: none"> • High efficiency • Robustness • Wide application range • Low noise 		Beverage cooler Ice maker Reach-in Ultra low temperature Chest freezer Upright cabinet (air curtain) Cold rooms
	REFRIGERANTS	Displacement range (cm ³)	Capacity range W
	R134a; R404A/ R507/R452A	21.60 - 34.40	LBP: 568 - 1732 HBP: 2547 - 5646
			Max efficiency W/W
			LBP: 1.50 HBP: 2.92

ASHRAELBP32 - ASHRAEHBP46

VES		VES COMPRESSORS SUIT FOLLOWING APPLICATIONS:	
	<ul style="list-style-type: none"> • High efficiency • Robustness • Wide application range • Small size • Low noise • Better temperature control • Wide voltage range 		Wine cooler Heat pumps Beverage coolers Reach-in Chest freezer Medical coolers
	Speed range: 1300-4500 rpm		
	REFRIGERANTS	Displacement range (cm ³)	Capacity range W
R600a	3 - 11	LBP: 50-270 MBP: 38-270	
			Max efficiency W/W
			LBP: 2.26 MBP: 3.25

ASHRAELBP32 -25/40°C LBP -10/40°C MBP

VEM		VEM COMPRESSORS SUIT FOLLOWING APPLICATIONS:	
	<ul style="list-style-type: none"> • High efficiency • Robustness • Wide application range • Small size • Low noise • Better temperature control • Wide voltage range 		Wine coolers Heat Pumps Beverage coolers Reach-in Chest freezers Medical coolers
	REFRIGERANTS	Displacement range (cm ³)	Capacity range W
	R134a; R290; R600a	3 - 11	LBP: 41 - 250 HBP*: 345 - 820
			Max efficiency W/W
			LBP: 1.96 HBP*: 3.50

ASHRAELBP32 - ASHRAEHBP32

VEG		VEG COMPRESSORS SUIT FOLLOWING APPLICATIONS:	
	<ul style="list-style-type: none"> • High efficiency • Robustness • Wide application range • Small size • Low noise • Better temperature control • Wide voltage range • Unique for Coolers in R290 		Beverage cooler Ice maker Beer dispenser Reach-in Chest freezer Medical cooler
	REFRIGERANTS	Displacement range (cm ³)	Capacity range W
	R134a; R290; R600a;	6 - 10.61	LBP: 120 - 586
			Max efficiency W/W
			LBP: 1.87

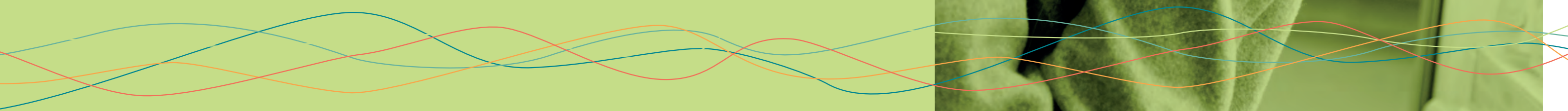
ASHRAELBP32

VNE		VNE COMPRESSORS SUIT FOLLOWING APPLICATIONS:	
	<ul style="list-style-type: none"> • High efficiency • Robustness • Wide application range • Small size • Low noise • Better temperature control • Wide voltage range • Best in class in its range of cooling capacity • Unique in dual-voltage and frequency with the same SKU 		Beverage cooler Ice maker Beer dispenser Reach-in Big chest freezer
	REFRIGERANTS	Displacement range (cm ³)	Capacity range W
	R134a; R404A/ R507/R452A R290	7 - 16.80	LBP: 420 - 1100
			Max efficiency W/W
			LBP: 1.50

ASHRAELBP32



APPLICATION GUIDE



BEVERAGE COOLERS - 50Hz

GROSS VOLUME		100 - 150 l		150 - 200 l		200 - 250 l		250 - 300 l		300 - 350 l		350 - 450 l		450 - 600 l		600 - 750 l		750 - 1000 l		1000 - 1400 l		1400 - 1700 l		1700 - 2000 l			
DOOR TYPE		SOLID	GLASS	SOLID	GLASS	SOLID	GLASS	SOLID	GLASS	SOLID	GLASS	SOLID	GLASS	SOLID	GLASS	SOLID	GLASS	SOLID	GLASS	SOLID	GLASS	SOLID	GLASS	SOLID	GLASS		
R134a	PREMIUM EFFICIENCY	VEMY6HH	VEMY6HH	VEMY6HH	VEMY6HH	VEMY6HH	VEMY6HH	VEMY6HH	VEMY6HH	VEGT8HB	VEGT8HB			VEGT8HB	VEGT8HB												
	HIGH EFFICIENCY	EMT37HDP	EMT37HDP	EMT37HDP	EMT45HDR	EMT45HDR	EMT6144Z	EMT6144Z	EMT6160Z	EMT6160Z	EMT6170Z			EMT6170Z	NEU6187Z	NEU6210Z	NEU6212Z	NEU6212Z	NEU6214Z	NEU6214Z	NEU6214Z	NEU6214Z	NT6217Z	NT6217Z	NTU6222Z	NTU6222Z	NJ6226Z
R600a	HIGH EFFICIENCY	EMX32CLC	EMT45CDP	EMZ46CLC	EMZ46CLC	EMX55CLC	EMX55CLC	EMX3118Y	EMX3118Y	EMX3118Y	EMX3118Y			NBY5170Y	NBY5170Y												
R290	PREMIUM EFFICIENCY					EMC3119U	EMC3119U	EMC3119U	EMC3119U	EMC3119U	EMC3121U			EMC3121U	EMC3125U												
	HIGH EFFICIENCY	EMi5oUER	EMi5oUER	EMT6144U	EMT6144U	EMT6144U	EMT6152U	EMT6165U	NEU6181U	NEU6181U	NEU6210U			NEU6181U	NEU6210U	NEU6212U	NEU6212U	NEU6212U	NEU6212U	NEU6214U	NEU6214U	NEU6214U	NEU6217U				
R404A	HIGH EFFICIENCY																	NEK6213GK	NEK6213GK	NE9213GK	NEK6213GK	NEK6217GK	NEK6217GK	NT6224GK	NT6224GK		

AVERAGE BOTTLE COOLER SPECIFICATION	
Starting Type	LST
Application	MBP
Cooling Type	Fan
Door Type	Solid or Glass
Temperature	0 to 6°C

UPRIGHT FREEZERS (ICE-CREAM AND FROZEN FOOD) - 50Hz

GROSS VOLUME (l)		<100 l	100-200 l	200 - 300 l	300 - 400 l	400 - 500 l	500 - 600 l	600 -700 l	700-800 l	800-1000 l	1000 < l
R290	PREMIUM EFFICIENCY				VNEU213U	VNEU217U	VNEU217U	VNEU217U			
	HIGH EFFICIENCY	EMT2121U	EMT2125U	NEU2140U	NEU2155U	NEU2168U	NT2180U	NT2210U	NT2210U		
R404A	PREMIUM EFFICIENCY			VNEK206GK	VNEK212GK	VNEK212GK					
	HIGH EFFICIENCY			NEU2140GK	NEU2155GK	NEU2168GK					
	STANDARD EFFICIENCY			NEK2134GK	NEK2150GK	NEK2168GK	NT2180GK	NT2180GK	NT2192GK	NT2212GK	NJ2212GK
R134a	PREMIUM EFFICIENCY	VEGT8HB	VEGT8HB								
	STANDARD EFFICIENCY	NE2121Z	NEU4130Z	NEK2140Z							

AVERAGE ICE CREAM FREEZERS SPECIFICATION	
Starting Type	HST
Application	LBP
Cooling Type	Fan
Door Type	Glass/Solid
Food Temp.	<-20°C

ICE MAKERS (CUBERS) - 50Hz

ICE/DAY		UP TO 25 Kg	25-40 Kg	40-60 Kg	60-90 Kg	90-120 Kg	120-150 Kg	150-170 Kg		170-210 Kg	210-250 Kg	250-280 Kg	280-320 Kg	320-360 Kg	360-400 Kg	400-450 Kg	450-550 Kg	550 - 700 Kg
R290	HIGH EFFICIENCY	EMT6144U	EMT6144U	NEU6210U	NEU6214U	NEU6217U	NT6220U	NT6222U		NT6224U								
R404A		EMT6152GK	EMT6165GK	NEK6210GK	NEK6210GK	NEK6217GK	NT6220GKV	NT6222GKV		NT6224GK	NT6226GKV	NTU6232GK	NTU6234GKV	NTU6240GKV				
R134a		EMT6160Z	NEU6187Z	NEU6212Z	NEU6214Z	NT6217ZV	NT6220ZV	NTU6222ZV		NTU6224ZV								

ICE MAKERS (FLAKED) - 50Hz

ICE/DAY		60-90 Kg	90-120 Kg	120-150 Kg	150-170 Kg	170-210 Kg		210-250 Kg	250-280 Kg	280-320 Kg	320-360 Kg	360-400 Kg	400-450 Kg	450-500 Kg
R290	HIGH EFFICIENCY	NEU6210U	NEU6214U	NEU6217U	NT6220U	NT6222U		NT6224U						
R404A		NEK6210GK	NEU6215GK	NT6217GKV	NT6220GKV	NT6222GKV		NT6224GK	NT6226GKV	NJ2212GK	NJ2212GK	NJ2212GK		
R134a		NEU6212Z	NEU6214Z	NT6217ZV	NT6220ZV	NTU6222ZV		NTU6224ZV						

AVERAGE ICE MAKER SPECIFICATION	
Starting Torque	HST
Application	MBP
Cooling Type	FAN

COMMERCIAL KITCHEN APPLICATIONS - 50HZ LBP

(Low temperature refrigerators)

GROSS VOLUME (RANGE OF SIZES)	REACH-IN FREEZER	< 250 l	250 - 325 l	325 - 425 l		425 - 550 l	550 - 650 l	650 - 850 l	850 - 1150 l	1150 - 1500 l	1500 - 1700 l	1700 - 1900 l
	UNDERCOUNTER FREEZER	< 120 l	120 - 175 l	175 - 275 l		275 - 350 l	350 - 450 l	450 - 500 l	500 - 600 l	-	-	-
	WORKTOP FREEZER BLAST CHILLER	-	-	-		-	-	-	10 Kg	15 Kg	20 Kg	25 Kg
R290	PREMIUM EFFICIENCY - FULLMOTION INVERTER (VARIABLE SPEED COMPRESSOR)	VEGT8U	VEGT8U	VEGT8U		VEGT8U	VNEU213U	VNEU213U	VNEU213U	VNEU217U	VNEU217U	
	PREMIUM EFFICIENCY	EMC3121U	EMC3125U	EMC3130U		NEU2140U	NEU2155U	NEU2168U				
		EM2X3121U	EM2X3125U	EMT2130U		NEK2134U						
HIGH EFFICIENCY	EMT2121U	NEMT2125U			NEK2150U	NEK2160U	NT2180U	NT2180U	NT2210U	NT2210U		
R134a	PREMIUM EFFICIENCY - FULLMOTION INVERTER (VARIABLE SPEED COMPRESSOR)	VEGT8HB	VEGT11HB	VEGT11HB								
	HIGH EFFICIENCY	NE2121Z	NE2130Z	NE2134Z		NEK2140Z						
R404A	STANDARD EFFICIENCY	NEK2121GK	NEK2125GK	NEK2125GK		NEK2134GK	NEK2150GK	NEK2168GK	NEK2178GK	NT2180GK	NT2192GK	NT2212GK

COMMERCIAL KITCHEN APPLICATIONS - 50HZ MBP

(Medium temperature refrigerators)

GROSS VOLUME (RANGE OF SIZES)	REACH-IN REFRIGERATOR	200 - 275 l	275 - 375 l	175 - 500 l		550 - 700 l	700 - 950 l	950 - 1200 l	1200 - 1500 l
	FOOD PREPARATION TABLE REFRIGERATOR	70 cm	115 cm	140 cm		165 cm	190 cm	240 cm	300 cm
	UNDERCOUNTER REFRIGERATOR								
	WORKTOP REFRIGERATOR	100 - 200 l	200 - 350 l	350 - 500 l		-500 l	-	-	-
R290	PREMIUM EFFICIENCY - FULLMOTION INVERTER (VARIABLE SPEED COMPRESSOR)			VEGT8U		VEGT8U	VEGT8U	VEGT8U	
	PREMIUM EFFICIENCY			EMC3119U		EMC3121U	EMC3125U	EMC3130U	
		EMT6144U		EMT6165U	NEU6181U	NEU6212U	NEU6214U		
HIGH EFFICIENCY		EMI50UER							
R134a	PREMIUM EFFICIENCY - FULLMOTION INVERTER (VARIABLE SPEED COMPRESSOR)	VEMY6HH	VEMY6HH	VEMY6HH		VEGT8HB	VEGT11HB	VEGT11HB	VNEK614Z
	HIGH EFFICIENCY	EMT45HDR	EMT6144Z	EMT6160Z		EMT6170Z	NEU6187Z	NEU6212Z	NEU6214Z
R404A	STANDARD EFFICIENCY	NEK6144GK	NEK6152GK	NEK6165GK		NEK6181GK	NEK6210GK	NEK6213GK	NEK6213GK

AVERAGE PROF. KITCHEN REFRIGERATOR SPECIFICATION		
Evap. Temperature	-30 to -15°C	-15 to -5°C
Application	LBP	MBP
Starting Type	LST	LST
Cooling Type	Fan	Fan
Door Type	Solid	Solid

COLD ROOM

Cooling - temperature inside room +2°C (meat, milk products, packaged goods).

GROSS VOLUME m ³	up to 3	3 - 5	5 - 10		10 - 13	13 - 17	17 - 23	23 - 35
DIMENSIONS (example) m	1 x 1,5 x 2	1,25 x 2 x 2	2 x 2 x 2,5		2 x 2,6 x 2,5	2 x 3,4 x 2,5	3 x 3 x 2,5	3,5 x 4 x 2,5
R134a	NEU6210GK	NEU6212GK	NEU6215GK		NT6220GK	NT6224GK	NJ9232GK	NJ9238GK
R404A	NEU6210Z	NEU6212Z	NEU6214Z		NT6220Z	NJ6226Z		

Freezer - temperature inside room -24°C (frozen, packaged goods)

GROSS VOLUME m ³	up to 3	3 - 5	5 - 8		8 - 12	12 - 15
DIMENSIONS (example) m	1 x 1,5 x 2	1,25 x 2 x 2	2 x 2 x 2,5		2 x 2,6 x 2,5	2 x 3,4 x 2,5
R404A	NT2180GK	NJ2192GK	NJ2212GK		2 x NT180GK	2 x NJ2212GK
R290	NT2180U	NT2180U	NT2210U			

REFRIGERATED ISLAND

GROSS VOLUME (l)		400 - 500	500 - 600		600 - 700	700 - 800	800 - 900	900 - 1000	1000 - 1100	1100 <
R404A	PREMIUM EFFICIENCY	VNEK206GK	VNEK212GK		VNEK212GK	NT6220GK	NT6224GK	NJ9232GK	NJ9238GK	
	HIGH EFFICIENCY	NEU2140GK	NEU2140GK		NEU2168GK	NT2180GK	NJ2192GK	NT2212GK	NT2212GK	NJ2212GK
R290	PREMIUM EFFICIENCY	NEU6210Z	NEU6212Z		VNEU213U	VNEU213U	VNEU213U	VNEU213U	VNEU217U	VNEU217U
	HIGH EFFICIENCY	NEU2140U	NEU2140U		NEU2168U	NT2180U	NT2210U	NT2210U		

HORIZONTAL FREEZER (SOLID DOOR + GLASS DOOR)

		up to 150		150 - 200		200 - 250		250 - 300		300 - 350		350 - 400		400 - 450		450 - 500		500 - 550		550 - 600		600...		
		SOLID	GLASS	SOLID	GLASS	SOLID	GLASS	SOLID	GLASS	SOLID	GLASS	SOLID	GLASS	SOLID	GLASS	SOLID	GLASS	SOLID	GLASS	SOLID	GLASS	SOLID	GLASS	
R134a	STANDARD EFFICIENCY	EMT36HLP	EMT36HLP	EMT36HLP	EMT49HLP	EMT49HLP	EMT60HLP	EMT60HLP	NEK2118Z	NEK2118Z	NE2121Z		NE2121Z	NE2130Z	NE2130Z	NE2130Z	NE2130Z	NE2134Z	NE2134Z	NE2134Z	NEK2140Z	NEK2140Z		
	STANDARD EFFICIENCY				EMT2117GK	EMT2117GK	EMT2125GK	EMT2125GK	EMT2125GK	EMT2130GK	EMT2130GK		EMT2130GK	EMT2130GK	EMT2130GK	EMT2130GK	NEU2140GK	NEU2140GK	NEU2140GK	NEU2140GK	NEU2140GK	NEU2155GK	NEU2155GK	NEU2168GK
R290	PREMIUM EFFICIENCY					EMC3119U	EMC3119U	EMC3119U	EMC3121U	EMC3121U	EMC3121U		EMC3121U	EMC3121U	EMC3125U	EMC3130U	EMC3130U	EMC3130U	EMC3134U	NEU1140U	NEU1140U	NEU1140U	NEU1140U	NEU2155U
	HIGH EFFICIENCY					EMT2117U	EMT2117U	EMT2121U	EMT2121U	EMT21215U	EMT2125U		EMT2125U	EMT2125U	EMT2125U	EMT2130U	EMT2130U	NEK2134U	NEK2134U	NEK2134U	NEK2134U	NEK2134U	NEK2150U	NEK2168U
R600	PREMIUM EFFICIENCY	EMC32CLT	EMD32CLT	EMC46CLT	EMC55CLT	EMC55CLT	EMC66CLT	EMC66CLT	EMC70CLT	EMC70CLT	EMC80CLT		EMC80CLT	EGX100CLC	EGX100CLC									
	HIGH EFFICIENCY	EMX32CLC	EMX32CLC	EMX55CLC	EMX55CLC	EMX66CLC	EMX66CLC	EMX66CLC	EMX70CLC	EMX70CLC	EMX3118Y		EMX3118Y	NBY1118Y										

PRODUCT MAP
50 - 60 HZ





FULLMOTION PRODUCT MAP • 50-60 Hz

R134a						
LBP - L/MBP - L/M/HBP						
BR PORTFOLIO TEST CONDITION ASHRAE LBP32						
MODEL	DISPL. [CC]	APPL.	VOLTAGE/FREQUENCY	COOL. CAP. [W]	COP [WW]	AT RPM
VEMY3H	3,00	LBP	230 V 53-150 HZ 3 ~	41-126	1,45-1,48	1600-4500
VEMY3HM	3,00	L/M/HBP	12-24V / DC	40-121	1,22-1,30	1600-4500
VEMY4H	3,97	LBP	230 V 53-150 HZ 3 ~	63-170	1,64-1,55	1600-4500
VEMY4HM	3,97	L/M/HBP	12-24V / DC	280-719	2,88-2,26	1600-4500
VEMY5H	4,99	LBP	230 V 53-150 HZ 3 ~	84-206	1,72-1,6	1600-4500
VEMY6HH	5,72	L/M/HBP	230 V 53-150 HZ 3 ~	100-231	1,66-1,61	1600-4500
VEGT7H	7,15	LBP	230 V 53-150 HZ 3 ~	101-290	1,57-1,53	1600-4500
VEGT8HB	7,95	L/MBP	230 V 53-150 HZ 3 ~	137-340	1,72-1,64	1600-4500
VEGT11HB	10,61	L/MBP	230 V 60-150 HZ 3 ~	191-429	1,67-1,54	1800-4500

HBP						
EU PORTFOLIO TEST CONDITION EN12900						
MODEL	DISPL. [CC]	APPL.	VOLTAGE/FREQUENCY	COOL. CAP. [W]	COP [WW]	AT RPM
VNEK610Z	10,00	HBP	220-240V 50/60HZ 1 ~	630-1231	2,55-2,07	2000-4500
VNEK614Z	14,30	HBP	220-240V 50/60HZ 1 ~	905-1637	2,46-1,9	2000-4500

R290						
LBP - L/MBP						
EU PORTFOLIO TEST CONDITION EN12900						
MODEL	DISPL. [CC]	APPL.	VOLTAGE/FREQUENCY	COOL. CAP. [W]	COP [WW]	AT RPM
VNEK207U	7,30	LBP	220-240V 50/60HZ 1 ~	131-286	1,14-1,05	2000-4500
VNEK213U	13,54	LBP	220-240V 50/60HZ 1 ~	255-525	1,25-1,14	2000-4500
VNEU213U	13,54	LBP	220-240V 50/60HZ 1 ~	262-574	1,28-1,22	2000-4500
VNEU217U	16,80	LBP	220-240V 50/60HZ 1 ~	346-699	1,29-1,20	2000-4500

LBP - L/MBP						
BR PORTFOLIO TEST CONDITION ASHRAE LBP32						
MODEL	DISPL. [CC]	APPL.	VOLTAGE/FREQUENCY	COOL. CAP. [W]	COP [WW]	AT RPM
VEGT8U	7,95	L/MBP	230 V 53-150 HZ 3 ~	235 - 612	1,71 - 1,66	1800-4500

R404A/R507/R452A						
LBP						
EU PORTFOLIO TEST CONDITION EN12900						
MODEL	DISPL. [CC]	APPL.	VOLTAGE/FREQUENCY	COOL. CAP. [W]	COP [WW]	AT RPM
VNEK206GK	6,20	LBP	220-240V 50/60HZ 1 ~	126-262	0,99-0,93	2000-4500
VNEK212GK	12,12	LBP	220-240V 50/60HZ 1 ~	245-465	1,11-1,01	2000-4500

MBP						
EU PORTFOLIO TEST CONDITION EN12900						
MODEL	DISPL. [CC]	APPL.	VOLTAGE/FREQUENCY	COOL. CAP. [W]	COP [WW]	AT RPM
VNEK606GK	6,20	MBP	220-240V 50/60HZ 1 ~	380-801	1,78-1,55	2000-4500
VNEK609GK	8,78	MBP	220-240V 50/60HZ 1 ~	534-1084	1,83-1,64	2000-4500

	EN12900 HBP	EN12900 MBP	EN12900 LBP
Evaporating Temperature	5	-10	-35
Condensing Temperature	50	45	40
Ambient Temperature	32	32	32
Suction Temperature	20	20	20

	ASHRAE LBP	ASHRAE M/HBP
Evaporating Temperature	-23,3°C	7,2°C
Condensing Temperature	54,4°C	54,4°C
Ambient Temperature	32,2°C	35°C
Suction Temperature	32,2°C	35°C

R600a						
LBP - L/MBP						
EU PORTFOLIO TEST CONDITION SYSTEM CONDITIONS						
MODEL	DISPL. [CC]	APPL.	VOLTAGE/FREQUENCY	COOL. CAP. [W]	COP [WW]	AT RPM
VESD3C	2,98	LBP	230 V 40-150 HZ 3 ~	18-68	1,91-1,75	1300-4500
VESA5C	5,19	L/MBP	230 V 40-150 HZ 3 ~	76-265 (*)	2,99-2,75 (*)	1300-4500
VESD5C	5,19	L/MBP	230 V 40-150 HZ 3 ~	76-270 (*)	3,19-2,85 (*)	1300-4500
VESA7C	7,23	LBP	230 V 40-150 HZ 3 ~	52-185	2,10-2,00	1300-4500
VESD7C	7,23	LBP	230 V 40-150 HZ 3 ~	52-185	2,20-2,04	1300-4500
VESA9C	9,04	LBP	230 V 40-150 HZ 3 ~	69-225	2,06-1,91	1300-4500
VESC9C	9,04	LBP	230 V 40-150 HZ 3 ~	69-225	2,18-1,95	1300-4500
VESD9C	9,04	LBP	230 V 40-150 HZ 3 ~	69-225	2,24-1,99	1300-4500
VESC11C	11,14	LBP	230 V 40-150 HZ 3 ~	88-269	2,22-1,91	1300-4500
VESD11C	11,14	LBP	230 V 40-150 HZ 3 ~	88-269	2,27-1,94	1300-4500

LBP						
BR PORTFOLIO TEST CONDITION SYSTEM CONDITIONS						
MODEL	DISPL. [CC]	APPL.	VOLTAGE/FREQUENCY	COOL. CAP. [W]	COP [WW]	AT RPM
VEMZ5C	4,99	LBP	230 V 53-150 HZ 3 ~	91-248 (*)	2,76-2,70 (*)	1600-4500
VEMX5C	5,19	LBP	230 V 40-150 HZ 3 ~	73-264 (*)	3,00-2,73 (*)	1200-4500
VEMC5C	5,19	LBP	230 V 40-150 HZ 3 ~	72-260 (*)	3,05-2,95 (*)	1200-4500
VEMY7C	7,23	LBP	230 V 53-150 HZ 3 ~	67-182	1,93-1,84	1600-4500
VEMZ7C	7,23	LBP	230 V 53-150 HZ 3 ~	68-191	1,98-1,87	1600-4500
VEMX7C	7,23	LBP	230 V 40-150 HZ 3 ~	48-181	1,99-2,02	1200-4500
VEMC7C	7,23	LBP	230 V 40-150 HZ 3 ~	49-179	2,14-2,07	1200-4500
VEMX9C	9,04	LBP	230 V 40-150 HZ 3 ~	63-231	2,05-2,05	1200-4500
VEMC9C	9,04	LBP	230 V 40-150 HZ 3 ~	63-226	2,15-2,14	1200-4500
VEMZ9C	9,34	LBP	230 V 53-150 HZ 3 ~	90-245	2,07-1,90	1600-4500
VEGZ11C	11,14	LBP	230 V 53-133 HZ 3 ~	-	-	1600-4000

(*) -10 °C / 40 °C

COMPRESSORS PRODUCT MAP • 50 Hz

R134a							
LBP							
EU PORTFOLIO TEST CONDITION EN12900							
MODEL	DISPL. [CC]	HP	APPL.	VOLTAGE/FREQUENCY	MOTOR TYPE	COOL. CAP. [W]	COP [WW]
EMT22HLP	3,01	1/12	LBP	220-240V 50HZ 1 ~	RSIR/RSCR	37	0,83
EMT36HLP	3,97	1/10	LBP	220-240V 50HZ 1 ~	RSIR/RSCR	54	0,99
EMT43HLP	4,85	1/8	LBP	220-240V 50HZ 1 ~	RSIR/RSCR	66	0,91
EMT49HLP	5,57	1/6	LBP	220-240V 50HZ 1 ~	RSIR/RSCR	78	1,16
EMY3115Z	6,09	1/6	L/MBP	220-240V 50HZ 1 ~	RSIR/RSCR	-	-
EMT60HLP	6,76	1/6	LBP	220-240V 50HZ 1 ~	RSIR/RSCR	88	0,88
NEK1116Z	7,40	1/5	LBP	220-240V 50HZ 1 ~	RSIR/RSCR	93	1,12
NEK2116Z	7,40	1/5	LBP	220-240V 50HZ 1 ~	CSIR	93	0,89
NEK1118Z	8,40	1/4	LBP	220-240V 50HZ 1 ~	RSIR/RSCR	111	1,08
NE1121Z	9,27	1/4	LBP	220-240V 50HZ 1 ~	RSIR	125	0,89
NE1121Z	9,27	1/4	LBP	200-220V 50HZ / 230V 60HZ 1 ~	RSIR	126	0,93
NE2121Z	9,27	1/4	LBP	220-240V 50HZ 1 ~	CSIR	124	0,86
NE2121Z	9,27	1/4	LBP	200-220V 50HZ / 230V 60HZ 1 ~	CSIR	126	0,90
EMY3125Z	10,61	-	L/MBP	220-240V 50HZ 1 ~	RSIR	UD	UD
NE1130Z	11,14	1/3	LBP	220-240V 50HZ 1 ~	RSIR	161	0,85
NE1130Z	11,14	1/3	LBP	200-220V 50HZ / 230V 60HZ 1 ~	RSIR	161	0,86
NE2130Z	12,12	1/3	LBP	200-220V 50HZ / 230V 60HZ 1 ~	CSIR	156	0,85
NE2130Z	12,12	1/3	LBP	220-240V 50HZ 1 ~	CSIR	171	0,85
NE2130Z	12,12	1/3	LBP	100V 50/60HZ 1 ~	CSIR	161	1,16
NEU4130Z	12,12	1/3	L/MBP	220-240V 50HZ 1 ~	CSIR	172	0,96
NE2134Z	14,30	1/3	LBP	220-240V 50HZ 1 ~	CSIR	179	0,90
NEK2140Z	16,80	1/2	LBP	220-240V 50HZ 1 ~	CSIR	217	1,02

LBP							
BR PORTFOLIO TEST CONDITION ASHRAE LBP32							
MODEL	DISPL. [CC]	HP	APPL.	VOLTAGE/FREQUENCY	MOTOR TYPE	COOL. CAP. [W]	COP [WW]
EM20HHR	2,27	1/12	L/M/HBP	220-240V 50/60HZ 1 ~	RSIR/CSIR	50	0,86
EMIE30HR	2,83	1/12	L/MBP	220-240V 50/60HZ 1 ~	RSIR/CSIR	73	1,16
EMIS30HHR	3,00	1/12	L/M/HBP	220V 50/60HZ 1 ~	RSIR/CSIR	79	0,93
EMIE40HJP	3,40	1/10	LBP	220V 50/60HZ 1 ~	RSIR	95	1,15
EMI45HER	3,77	1/10	LBP	220-240V 50/60HZ 1 ~	RSIR/CSIR	100	1,21
EM45HHR	3,77	1/10	L/M/HBP	220-240V 50HZ 1 ~	RSIR/CSIR	102	1,03
EM50HNP	4,99	1/8	LBP	220-240V 50HZ 1 ~	RSIR/RSCR	126	1,22
EMIE65HER	5,19	1/6	LBP	220-240V 50/60HZ 1 ~	RSIR/CSIR	149	1,22
EGAS70HLR	5,56	1/6	LBP	220-240V 50/60HZ 1 ~	RSIR/CSIR	164	1,47
EMI70HER	5,89	1/6	LBP	220V 50HZ 1 ~	RSIR/CSIR	166	1,18
EMU65HLP	5,96	1/5	LBP	200-230V 50HZ 1 ~	RSIR	187	1,45
EMY70HEP	5,96	1/6	LBP	220-240V 50/60HZ 1 ~	RSIR	168	1,43
EGAS80HLR	6,36	1/5	LBP	220-240V 50/60HZ 1 ~	RSIR/CSIR	189	1,54
FFU70HAK	6,36	1/5	L/MBP	220-240V 50/60HZ 1 ~	RSIR/CSIR	185	1,43
FFUS80HAK	6,76	1/5	L/MBP	220-240V 50/60HZ 1 ~	RSIR/CSIR	201	1,37
FF7,5HBK	6,92	1/6	L/M/HBP	220-240V 50/60HZ 1 ~	RSIR/CSIR	154	1,00
EGAS90HLR	7,15	1/4	LBP	220-240V 50/60HZ 1 ~	RSIR/CSIR	219	1,50
EGAS100HLP	7,95	1/4	LBP	220-240V 50HZ 1 ~	RSIR/RSCR	241	1,58
EGAS100HLR	7,95	1/4	LBP	220-240V 50/60HZ 1 ~	RSIR/CSIR	251	1,52
FFU100HAK	7,95	1/4	L/MBP	220-240V 50/60HZ 1 ~	RSIR/CSIR	248	1,43
FF8,5HBK	7,95	1/5	L/M/HBP	220-240V 50HZ 1 ~	RSIR/CSIR	194	1,11
FF110HK	9,04	1/4	L/MBP	220-230V 50/60HZ 1 ~	RSIR/CSIR	249	1,30
EGU130HLR	10,61	1/3	LBP	220-240V 50HZ 1 ~	RSIR/CSIR	313	1,50
FFU130HAX	10,61	1/3	L/MBP	220-240V 50HZ 1 ~	CSIR	309	1,38
FF112HBK	11,14	1/3	L/M/HBP	220-240V 50HZ 1 ~	RSIR/CSIR	319	1,25
FFU160HAX	12,92	1/3	L/MBP	220-240V 50HZ 1 ~	CSIR	374	1,42

COMPRESSORS PRODUCT MAP • 50 Hz

R134a M/HBP EU PORTFOLIO TEST CONDITION EN12900. Table listing compressor models, displacement, HP, application, voltage, motor type, cool. cap., and COP for R134a M/HBP series.

M/HBP BR PORTFOLIO TEST CONDITION ASHRAE LBP32. Table listing compressor models, displacement, HP, application, voltage, motor type, cool. cap., and COP for M/HBP BR series.

R404A/R507/R452A LBP EU PORTFOLIO TEST CONDITION EN12900. Table listing compressor models, displacement, HP, application, voltage, motor type, cool. cap., and COP for R404A/R507/R452A LBP series.

MBP EU PORTFOLIO TEST CONDITION EN12900. Table listing compressor models, displacement, HP, application, voltage, motor type, cool. cap., and COP for MBP series.

COMPRESSORS PRODUCT MAP • 50 Hz

R290							
LBP							
EU PORTFOLIO TEST CONDITION EN12900							
MODEL	DISPL. [CC]	HP	APPL.	VOLTAGE/FREQUENCY	MOTOR TYPE	COOL. CAP. [W]	COP [WW]
EMT1117U	4,50	1/5	LBP	220-240V 50HZ 1 ~	RSCR	123	1,18
EMT2117U	4,50	1/5	LBP	220-240V 50HZ 1 ~	CSIR	123	1,13
EMC3119U	4,53	1/4	L/MBP	220-240V 50HZ 1 ~	RSCR	112	1,62
EMC3121U	5,54	1/4	L/MBP	220-240V 50HZ 1 ~	RSCR	160	1,59
EMT2121U	5,57	1/4	LBP	220-240V 50HZ 1 ~	CSIR	159	1,23
EMT1121U	5,57	1/4	LBP	220-240V 50HZ 1 ~	RSCR	159	1,24
EMT2125U	5,96	1/3	LBP	220-240V 50HZ 1 ~	CSIR	177	1,20
EMT1125U	5,96	1/3	LBP	220-240V 50HZ 1 ~	RSCR	177	1,24
EMC3125U	6,09	1/3	L/MBP	220-240V 50HZ 1 ~	RSCR	181	1,60
EMT2130U	6,76	1/3	LBP	220-240V 50HZ 1 ~	CSIR	196	1,12
EMT1130U	6,76	1/3	LBP	220-240V 50HZ 1 ~	RSCR	198	1,20
EMC3130U	6,93	1/3	L/MBP	220-240V 50HZ 1 ~	RSCR	229	1,57
EMC3134U	7,95	1/2	L/MBP	220-240V 50HZ 1 ~	RSCR	301	1,52
EMT2134U	9,50	1/2	LBP	220-240V 50HZ 1 ~	CSIR	266	1,28
NEK2134U	10,00	1/2	LBP	220-240V 50HZ 1 ~	CSIR	271	1,21
NEU1140U	10,00	1/2	LBP	220-240V 50HZ 1 ~	RSCR	270	1,38
NEU2140U	10,00	1/2	LBP	220-240V 50HZ 1 ~	CSIR	265	1,26
NEK1150U	13,54	1/2	LBP	220-240V 50HZ 1 ~	RSIR	333	0,99
NEK2150U	13,54	1/2	LBP	220-240V 50HZ 1 ~	CSIR	334	1,06
NEU2155U	13,54	3/4	LBP	220-240V 50HZ 1 ~	CSIR	364	1,21
NEU2155U	13,54	3/4	LBP	220-240V 50HZ 1 ~	CSR	384	1,35
NEK2160U	16,80	3/4	LBP	220-240V 50HZ 1 ~	CSR	427	1,20
NEU2168U	16,80	3/4	LBP	220-240V 50HZ 1 ~	CSR	457	1,27
NEU2178U	18,70	UD	LBP	220-240V 50HZ 1 ~	CSR	UD	UD
NT2170U	20,40	3/4	LBP	220-240V 50HZ 1 ~	CSIR	478	1,09
NT2170U	20,40	3/4	LBP	220-240V 50HZ 1 ~	CSR	480	1,16
NT2180U	22,40	1	LBP	220-240V 50HZ 1 ~	CSIR	550	1,12
NT2180U	22,40	1	LBP	220-240V 50HZ 1 ~	CSR	563	1,23
NT2210U	27,80	1 1/4	LBP	220-240V 50HZ 1 ~	CSR	689	1,17

LBP							
BR PORTFOLIO TEST CONDITION ASHRAE LBP32							
MODEL	DISPL. [CC]	HP	APPL.	VOLTAGE/FREQUENCY	MOTOR TYPE	COOL. CAP. [W]	COP [WW]
EM150UER	3,00	1/8	L/MBP	220-240V 50/60HZ 1 ~	RSIR/CSIR	128	1,30
EM170UER	4,08	1/6	L/MBP	220-240V 50/60HZ 1 ~	RSIR/CSIR	176	1,17
EM190UEX	4,99	1/4	L/MBP	220-240V 50HZ 1 ~	CSIR	220	1,28
FFU130UAX	6,76	1/3	L/MBP	220-240V 50/60HZ 1 ~	CSIR	312	1,44
FFU160UAX	7,95	1/2	L/MBP	220-240V 50HZ 1 ~	CSIR	405	1,49

MBP							
EU PORTFOLIO TEST CONDITION EN12900							
MODEL	DISPL. [CC]	HP	APPL.	VOLTAGE/FREQUENCY	MOTOR TYPE	COOL. CAP. [W]	COP [WW]
EMT6144U	4,50	1/5	MBP	220-240V 50HZ 1 ~	CSIR	343	2,00
EMT6152U	5,20	1/4	MBP	220-240V 50HZ 1 ~	CSIR	418	2,05
EMT6165U	5,96	1/4	MBP	220-240V 50HZ 1 ~	CSIR	485	1,96
NEK6181U	7,28	1/3	MBP	220-240V 50HZ 1 ~	CSIR	523	1,78
NEU5181U	7,28	1/3	MBP	220-240V 50HZ 1 ~	RSCR	595	2,26
NEU6181U	7,28	1/3	MBP	220-240V 50HZ 1 ~	CSIR	574	2,02
EMT6181U	7,55	1/3	MBP	220-240V 50HZ 1 ~	CSIR	632	2,20
NEK6210U	8,78	1/3	MBP	220-240V 50HZ 1 ~	CSIR	640	1,88
NEU6210U	8,78	1/3	MBP	220-240V 50HZ 1 ~	CSIR	676	1,98
NEU6212U	10,00	1/2	MBP	220-240V 50HZ 1 ~	CSIR	793	1,96
NEU6212U	10,00	1/2	MBP	220-240V 50HZ 1 ~	CSR	800	2,09
NEK6214U	12,12	1/2	MBP	220-240V 50HZ 1 ~	CSIR	880	1,91
NEK6214U	12,12	1/2	MBP	220-240V 50HZ 1 ~	CSR	893	2,05
NEU6214U	12,12	1/2	MBP	220-240V 50HZ 1 ~	CSIR	936	1,96
NEU6214U	12,12	1/2	MBP	220-240V 50HZ 1 ~	CSR	944	2,11
NEK6217U	14,30	1/2	MBP	220-240V 50HZ 1 ~	CSIR	1.018	1,73
NEK6217U	14,30	3/4	MBP	220-240V 50HZ 1 ~	CSR	1.051	1,94
NEU6217U	14,30	3/4	MBP	220-240V 50HZ 1 ~	CSIR	1.086	1,95
NEU6217U	14,30	3/4	MBP	220-240V 50HZ 1 ~	CSR	1.109	2,17
NEU6220U	16,80	3/4	MBP	220-240V 50HZ 1 ~	CSR	1.317	2,09
NT6220U	17,40	3/4	MBP	220-240V 50HZ 1 ~	CSIR	1.193	1,76
NT6220U	17,40	3/4	MBP	220-240V 50HZ 1 ~	CSR	1.167	1,88
NT6222U	20,40	3/4	MBP	220-240V 50HZ 1 ~	CSIR	1.372	1,74
NT6222U	20,40	1,00	MBP	220-240V 50HZ 1 ~	CSR	1.412	1,92
NT6224U	22,40	1,00	MBP	220-240V 50HZ 1 ~	CSR	1.558	2,11
NT6230U	27,80	1,25	MBP	220-240V 50HZ 1 ~	CSR	1.937	1,93

R600a							
LBP							
EU PORTFOLIO TEST CONDITION ASHRAE LBP32							
MODEL	DISPL. [CC]	HP	APPL.	VOLTAGE/FREQUENCY	MOTOR TYPE	COOL. CAP. [W]	COP [WW]
EMX20CLC	3,97	1/12	LBP	220-240V 50HZ 1 ~	RSIR	61	1,40
EMX20CLC	3,97	1/12	LBP	220-240V 50HZ 1 ~	RSCR	61	1,51
EMX26CLC	5,20	1/12	LBP	220-240V 50HZ 1 ~	RSIR	83	1,50
EMX32CLC	5,96	1/10	LBP	220-240V 50HZ 1 ~	RSIR	97	1,51
EMX32CLC	5,96	1/10	LBP	220-240V 50HZ 1 ~	RSCR	102	1,66
EMX3109Y	6,20	UD	L/MBP	100V 50HZ / 100-127V 60HZ 1 ~	RSIR/RSCR	UD	UD
EMX40CLC	7,24	1/8	LBP	220-240V 50HZ 1 ~	RSIR	119	1,53
EMX46CLC	7,96	1/8	LBP	220-240V 50HZ 1 ~	RSIR	135	1,56
EMX46CLC	7,96	1/8	LBP	220-240V 50HZ 1 ~	RSCR	135	1,66
EMX3113Y	9,04	1/6	L/MBP	100V 50HZ / 100-127V 60HZ 1 ~	RSCR	155	1,75
EMX55CLP	9,05	1/6	LBP	220-240V 50HZ 1 ~	RSIR	156	1,56
EMX55CLC	9,05	1/6	LBP	220-240V 50HZ 1 ~	RSCR	155	1,72
EMX3115Y	10,61	1/5	L/MBP	100V 50HZ / 100-127V 60HZ 1 ~	RSCR	184	1,67
EMX66CLP	10,62	1/5	LBP	220-240V 50HZ 1 ~	RSIR	177	1,54
EMX70CLC	11,15	1/5	LBP	220-240V 50HZ 1 ~	RSCR	191	1,71
EMX3118Y	12,20	1/5	L/MBP	100V 50HZ / 100-127V 60HZ 1 ~	RSCR	212	1,66
EMX3118Y	12,20	1/5	L/MBP	220-240V 50HZ 1 ~	RSIR	213	1,58
EMX3118Y	12,20	1/5	L/MBP	220-240V 50HZ 1 ~	RSCR	212	1,49
EMX3118Y	12,20	1/5	L/MBP	220-240V 50HZ 1 ~	RSCR	211	1,75
EMX80CLT	12,21	1/5	LBP	220-240V 50HZ 1 ~	RSCR	212	1,74
NBY1118Y	14,28	1/4	LBP	220-240V 50HZ 1 ~	RSCR	244	1,74

LBP							
BR PORTFOLIO TEST CONDITION ASHRAE LBP32							
MODEL	DISPL. [CC]	HP	APPL.	VOLTAGE/FREQUENCY	MOTOR TYPE	COOL. CAP. [W]	COP [WW]
EMX20CLC	3,97	1/12	LBP	220-240V 50HZ 1 ~	RSCR	63	1,54
EMT23CLP	4,50	1/12	LBP	220-240V 50HZ 1 ~	RSIR	78	1,37
EM130CNP	4,99	1/12	L/MBP	220-240V 50HZ 1 ~	RSIR	76	1,16
EM140CNP	6,36	1/10	L/MBP	220-240V 50HZ 1 ~	RSIR	100	1,18
EMT40CLP	7,23	1/8	LBP	220-240V 50HZ 1 ~	RSIR/RSCR	119	1,36
EMX46CLC	7,96	1/8	LBP	220-240V 50HZ 1 ~	RSCR	138	1,71
EMT56CLP	9,04	1/6	LBP	220-240V 50HZ 1 ~	RSIR/RSCR	155	1,35
EMX70CLC	11,14	1/5	LBP	220-240V 50HZ 1 ~	RSCR	191	1,72
EGAS80CLP	11,14	1/5	LBP	220-240V 50HZ 1 ~	RSIR	190	1,44
EGY580CLP	11,14	1/5	LBP	220-240V 50HZ 1 ~	RSIR	199	1,73
EGY590CLP	12,21	1/5	LBP	220-240V 50HZ 1 ~	RSIR	215	1,69
EGY590CLP	12,21	1/4	LBP	220-240V 50/60 HZ 1 ~	RSIR	217	1,71
EGAS100CLP	13,54	1/4	LBP	220-240V 50HZ 1 ~	RSIR	235	1,39
EGX100CLC	13,54	1/4	LBP	220-240V 50HZ 1 ~	RSCR	223	1,81
EGY5110CLC	14,87	1/4	LBP	220-240V 50HZ 1 ~	RSCR	263	1,83

HBP							
EU PORTFOLIO TEST CONDITION EN12900							
MODEL	DISPL. [CC]	HP	APPL.	VOLTAGE/FREQUENCY	MOTOR TYPE	COOL. CAP. [W]	COP [WW]
EMT30CDP	4,50	1/12	HBP	220-240V 50HZ 1 ~	RSIR	246	2,65
EMU5125Y	4,50	1/12	HBP	220-240V 50HZ 1 ~	RSIR	244	2,52
EMU5125Y	4,50	1/12	HBP	220-240V 50HZ 1 ~	RSCR	244	2,82
EMT45CDP	6,79	1/8	HBP	220-240V 50HZ 1 ~	RSIR	360	2,47
EMU6132Y	6,76	1/7	HBP	220-240V 50HZ 1 ~	CSIR	-	-
EMU5132Y	6,79	1/8	HBP	220-240V 50HZ 1 ~	RSIR	358	2,54
EMU5132Y	6,79	1/8	HBP	220-240V 50HZ 1 ~	RSCR	363	2,74
EMT6144Y	9,05	1/5	HBP	220-240V 50HZ 1 ~	CSIR	486	2,41
EMT6160Y	11,15	1/5	HBP	220-240V 50HZ 1 ~	CSIR	588	2,20
NBY5170Y	14,30	1/4	HBP	220-240V 50HZ 1 ~	RSCR	753	2,99
NEK6160Y	12,12	1/4	HBP	220-240V 50HZ 1 ~	CSIR	606	2,43
NEK6170Y	14,30	1/4	HBP	220-240V 50HZ 1 ~	CSIR	720	2,38
NEK6187Y	16,80	1/3	HBP	220-240V 50HZ 1 ~	CSIR	805	2,29

R508B/R170								
ULBP								
EU PORTFOLIO TEST CONDITION EN12900								
MODEL	DISPL. [CC]	HP	APPL.	VOLTAGE/FREQUENCY	MOTOR TYPE	REFRIGERANT	COOL. CAP. [W]	COP [WW]
NT2178ULT	17,40	1	ULBP	220-240V 50HZ 1 ~	CSR	R508B	429	1,27
NT2178ULT	17,40	1	ULBP	220-240V 50HZ 1 ~	CSR	R170	399	1,21
NT2192ULT	22,40	1	ULBP	220-240V 50HZ 1 ~	CSR	R508B	545	1,30
NT2192ULT	22,40	1	ULBP	220-240V 50HZ 1 ~	CSR	R170	516	1,24
NT2212ULT	27,80	1 1/2	ULBP	220-240V 50HZ 1 ~	CSR	R508B	702	1,32
NT2212ULT	27,80	1 1/2	ULBP	220-240V 50HZ 1 ~	CSR	R170	663	1,29

COMPRESSORS PRODUCT MAP • 60 Hz

R134a							
LBP							
EU PORTFOLIO TEST CONDITION ARI 540							
MODEL	DISPL.[CC]	HP	APPL.	VOLTAGE/FREQUENCY	MOTOR TYPE	COOL. CAP. [W]	COP [WW]
NEK2116Z	7,4	1/5	LBP	115V 60HZ 1~	CSIR	171	0,92
NE2121Z	9,27	1/4	LBP	115V 60HZ 1~	CSIR	204	0,81
NE2130Z	12,12	1/3	LBP	100V 50/60HZ 1~	CSIR	269	1,16
NE2130Z	12,12	1/3	LBP	115V 60HZ 1~	CSIR	269	0,88
NE2134Z	14,3	1/3	LBP	115V 60HZ 1~	CSIR	312	0,91
NE2134Z	14,3	1/3	LBP	208-230V 60HZ 1~	CSIR	300	0,92
NEK2140Z	16,8	1/2	LBP	115V 60HZ 1~	CSIR	390	0,94
NEU2140Z	16,8	1/2	LBP	115-127V 60HZ 1~	CSIR	405	0,98
NEU2140Z	16,8	1/2	LBP	115-127V 60HZ 1~	CSR	407	1,04
NT2152ZV	26,2	1/2	LBP	115V 60HZ 1~	CSR	610	1,07

LBP							
BR PORTFOLIO TEST CONDITION ASHRAE LBP32							
MODEL	DISPL.[CC]	HP	APPL.	VOLTAGE/FREQUENCY	MOTOR TYPE	COOL. CAP. [W]	COP [WW]
EM20HHR	2,27	1/12	L/M/HBP	220-240V 50/60HZ 1~	RSIR/CSIR	59	0,89
EMIS20HHR	2,27	1/12	L/M/HBP	220V 60HZ 1~	RSIR/CSIR	57	0,81
EMIS20HHR	2,27	1/12	L/M/HBP	115-127V 60HZ 1~	RSIR/CSIR	56	0,80
EMIE30HER	2,83	1/10	L/MBP	220-240V 50/60HZ 1~	RSIR/CSIR	88	1,26
EMIS30HHR	3	1/8	L/M/HBP	220V 50/60HZ 1~	RSIR/CSIR	100	1,14
EMIS30HHR	3	1/8	L/M/HBP	115-127V 60HZ 1~	RSIR/CSIR	100	1,10
EMIE40HJP	3,4	1/8	LBP	220V 50/60HZ 1~	RSIR	115	1,28
EMIE45HER	3,77	1/8	LBP	220-240V 50/60HZ 1~	RSIR/CSIR	123	1,32
EM45HHR	3,77	1/8	L/M/HBP	115-127V 60HZ 1~	RSIR/CSIR	123	1,15
EMIE65HER	5,19	1/6	LBP	220-240V 50/60HZ 1~	RSIR/CSIR	185	1,33
EGAS70HLR	5,56	1/6	LBP	220-240V 50/60HZ 1~	RSIR	203	1,57
EM170HER	5,89	1/6	LBP	220V 60HZ 1~	RSIR/CSIR	207	1,34
EMYE70HEP	5,96	1/6	LBP	220-240V 50/60HZ 1~	RSIR	201	1,53
EGAS80HLR	6,36	1/5	LBP	220-240V 50/60HZ 1~	RSIR/CSIR	233	1,59
FFUS70HAK	6,36	1/5	L/MBP	220-240V 50/60HZ 1~	RSIR/CSIR	222	1,51
FFUS70HAK	6,36	1/5	L/MBP	115-127V 60HZ 1~	RSIR/CSIR	229	1,52
FFUS80HAK	6,76	1/5	L/MBP	220-240V 50/60HZ 1~	RSIR/CSIR	236	1,47
FFUS80HAK	6,76	1/5	L/MBP	115-127V 60HZ 1~	RSIR/CSIR	236	1,44
FF7,5HBK	6,92	1/6	L/M/HBP	220-240V 50/60HZ 1~	RSIR/CSIR	206	1,15
EGAS90HLR	7,15	1/4	LBP	220-240V 50/60HZ 1~	RSIR/CSIR	271	1,59
EGAS100HLR	7,95	1/4	LBP	220-240V 50/60HZ 1~	RSIR/CSIR	308	1,6
FFUS100HAK	7,95	1/4	L/MBP	220-240V 50/60HZ 1~	RSIR/CSIR	295	1,52
FFUS100HAK	7,95	1/4	L/MBP	115-127V 60HZ 1~	RSIR/CSIR	297	1,74
FF8,5HBK	7,95	1/5	L/M/HBP	220V 60HZ 1~	RSIR/CSIR	217	1,11
FFI10HAK	9,04	1/4	L/MBP	220-230V 50/60HZ 1~	RSIR/CSIR	302	1,42
FFI10HAK	9,04	1/4	L/MBP	115-127V 60HZ 1~	RSIR/CSIR	302	1,42
FFU130HAX	10,61	1/3	L/MBP	115-127V 60HZ 1~	CSIR	366	1,41
FFI12HBX	11,14	1/3	L/M/HBP	220V 60HZ 1~	CSIR	349	1,18
FFU160HAX	12,92	1/3	L/MBP	220V 60HZ 1~	CSIR	449	1,45

M/HBP							
EU PORTFOLIO TEST CONDITION ARI 540							
MODEL	DISPL.[CC]	HP	APPL.	VOLTAGE/FREQUENCY	MOTOR TYPE	COOL. CAP. [W]	COP [WW]
EMT37HDP	3,40	1/8	HBP	200-230V 50HZ / 208/230V 60HZ 1~	RSIR	378	2,22
EMT50HDP	4,50	1/6	HBP	200-230V 50HZ / 208/230V 60HZ 1~	RSIR	506	2,29
NEK6132Z	4,52	1/6	HBP	115V 60 HZ	CSIR	473	1,94
NEK6144Z	5,45	1/6	HBP	115V 60 HZ	CSIR	584	1,98
NEK6160Z	7,28	1/4	HBP	115V 60 HZ	CSIR	758	2,11
NEK6160Z	7,28	1/4	HBP	200-230V 50HZ / 208/230V 60HZ 1~	CSIR	758	2,17
NEU6160Z	7,28	1/4	HBP	115-127V 60HZ 1~	CSIR	855	2,42
NEU6160Z	7,28	1/4	HBP	115-127V 60HZ 1~	CSR	865	2,60
NEK6170Z	8,40	1/4	HBP	115V 60 HZ	CSIR	878	2,10
NEK6170Z	8,40	1/4	HBP	100V 50/60HZ 1~	CSIR	738	1,95
NEK6170Z	8,40	1/4	HBP	200-230V 50HZ / 208/230V 60HZ 1~	CSIR	881	2,14
NEK6187Z	10,00	1/3	HBP	200-230V 50HZ / 208/230V 60HZ 1~	CSIR	1000	2,06
NEK6187Z	10,00	1/3	HBP	115V 60 HZ	CSIR	1007	2,07
NEU6187Z	10,00	1/3	HBP	115-127V 60HZ 1~	CSIR	1154	2,23
NEU6187Z	10,00	1/3	HBP	115-127V 60HZ 1~	CSR	1163	2,35
NEU6187Z	10,00	1/3	HBP	200-240V 50HZ / 230V 60HZ 1~	CSIR	1086	2,07
NEK6210Z	12,12	1/3	HBP	200-230V 50HZ / 208/230V 60HZ 1~	CSIR	1138	1,88
NEK6210Z	12,12	1/3	HBP	115V 60 HZ	CSIR	1190	1,96
NEU6210Z	12,12	1/3	HBP	115-127V 60HZ 1~	CSIR	1343	2,17
NEU6210Z	12,12	1/3	HBP	115-127V 60HZ 1~	CSR	1361	2,36
NEU6210Z	12,12	1/2	HBP	200-230V 50HZ / 208/230V 60HZ 1~	CSIR	1342	2,14
NEU6210Z	12,12	1/2	HBP	200-230V 50HZ / 208/230V 60HZ 1~	CSR	1358	2,31
NEK6212Z	14,30	1/2	HBP	200-230V 50HZ / 208/230V 60HZ 1~	CSIR	1323	1,77
NEK6212Z	14,30	1/2	HBP	115V 60 HZ	CSIR	1361	1,78
NEK6212Z	14,30	1/2	HBP	115V 60 HZ	CSR	1407	1,96
NEU6212Z	14,30	1/2	HBP	115-127V 60HZ 1~	CSIR	1571	2,10
NEU6212Z	14,30	1/2	HBP	115-127V 60HZ 1~	CSR	1579	2,27
NEU6212Z	14,30	1/2	HBP	200-230V 50HZ / 208/230V 60HZ 1~	CSIR	1494	1,96
NEU6212Z	14,30	1/2	HBP	200-230V 50HZ / 208/230V 60HZ 1~	CSR	1528	2,21
NEK6214Z	16,80	1/2	HBP	208-230V 60HZ 1~	CSIR	1523	1,77
NEK6214Z	16,80	1/2	HBP	208-230V 60HZ 1~	CSR	1537	1,89
NEK6214Z	16,80	1/2	HBP	115V 60 HZ	CSR	1568	1,84
NEU6214Z	16,80	1/2	HBP	115-127V 60HZ 1~	CSIR	1776	1,97
NEU6214Z	16,80	1/2	HBP	115-127V 60HZ 1~	CSR	1799	2,13
NEU6214Z	16,80	1/2	HBP	208-230V 60HZ 1~	CSIR	1803	1,95
NEU6214Z	16,80	1/2	HBP	208-230V 60HZ 1~	CSR	1831	2,14
NEU6214Z	16,80	1/2	HBP	200-230V 50HZ / 208/230V 60HZ 1~	CSR	1802	2,12

R134a							
M/HBP							
EU PORTFOLIO TEST CONDITION ARI 540							
MODEL	DISPL.[CC]	HP	APPL.	VOLTAGE/FREQUENCY	MOTOR TYPE	COOL. CAP. [W]	COP [WW]
NT6215Z	17,40	1/2	HBP	208-230V 60HZ 1~	CSIR	1794	2,11
NT6215Z	17,40	1/2	HBP	115V 60 HZ	CSIR	1925	2,37
NT6215Z	17,40	1/2	HBP	115V 60 HZ	CSR	1933	2,50
NT6217Z	20,40	3/4	HBP	115V 60 HZ	CSR	2013	2,20
NT6217Z	20,40	3/4	HBP	208-230V 60HZ 1~	CSIR	2126	2,18
NT6220Z	22,40	1	HBP	208-230V 60HZ 1~	CSR	2157	2,45
NT6220Z	22,40	1	HBP	115V 60 HZ	CSR	2361	2,47
NTU6222ZV	23,70	1	HBP	208-230V 60HZ 1~	CSIR	2420	2,09
NTU6222ZV	23,70	1	HBP	115V 60 HZ	CSR	2882	2,83
NJ6220ZX	26,10	1	HBP	208-230V 60HZ 1~	CSIR	2893	2,91
NJ6220ZX	26,10	1	HBP	380-420V 50HZ / 440-480V 60HZ 3~	3PHASE	2391	2,01
NTU6224ZV	27,80	1 1/4	HBP	115V 60 HZ	CSR	3355	2,70
NTU6224ZV	27,80	1 1/4	HBP	208-230V 60HZ 1~	CSIR	3412	2,70
NJ6226ZX	34,40	1 1/4	HBP	208-230V 60HZ 1~	CSR	2927	2,03
NJ6226ZX	34,40	1 1/4	HBP	380-420V 50HZ / 440-480V 60HZ 3~	3PHASE	3125	2,25

M/HBP							
BR PORTFOLIO TEST CONDITION ASHRAE LBP32							
MODEL	DISPL.[CC]	HP	APPL.	VOLTAGE/FREQUENCY	MOTOR TYPE	COOL. CAP. [W]	COP [WW]
EM20HHR	2,27	1/12	L/M/HBP	220-240V 50/60HZ 1~	RSIR/CSIR	292	2,48
EMIS20HHR	2,27	1/12	L/M/HBP	220V 60HZ 1~	RSIR/CSIR	308	2,36
EMIS20HHR	2,27	1/12	L/M/HBP	115-127V 60 HZ	RSIR/CSIR	308	2,49
EMIS30HHR	3,00	1/10	L/M/HBP	220V 50/60 HZ	RSIR/CSIR	434	2,68
EMIS30HHR	3,00	1/10	L/M/HBP	115-127V 60 HZ	RSIR/CSIR	434	2,67
EM45HHR	3,77	1/6	L/M/HBP	115-127V 60 HZ	RSIR/CSIR	520	2,53
EM55HHR	4,60	1/6	HBP	220-240V 50/60 HZ	RSIR	630	2,60
EM55HHR	4,60	1/6	HBP	115V 60 HZ	RSIR	630	2,52
EM65HHR	5,54	1/5	M/HBP	220V 50/60 HZ	RSIR/CSIR	766	2,55
FF7,5HBK	6,92	1/4	L/M/HBP	220-240V 50/60 HZ	RSIR/CSIR	850	2,29
FF8,5HBK	7,95	1/4	L/M/HBP	220V 60 HZ	RSIR/CSIR	920	2,24
FFI12HBX	11,14	1/2	L/M/HBP	220V 60 HZ	CSIR	1553	2,28

R404A/R507/R452A							
LBP							
EU PORTFOLIO TEST CONDITION ARI 540							
MODEL	DISPL.[CC]	HP	APPL.	VOLTAGE/FREQUENCY	MOTOR TYPE	COOL. CAP. [W]	COP [WW]
NEK2117GK	4,52	1/4	LBP	115V 60HZ 1~	CSIR	211	0,89
NEK2121GK	5,45	1/3	LBP	115V 60HZ 1~	CSIR	261	0,92
NEK2125GK	6,20	1/3	LBP	115V 60HZ 1~	CSIR	314	0,99
NEK2134GK	8,78	1/2	LBP	100V 50/60HZ 1~	CSIR	387	0,93
NEK2134GK	8,78	1/2	LBP	100V 50/60HZ 1~	CSR	391	1,00
NEK2134GK	8,78	1/2	LBP	208-230V 60HZ 1~	CSIR	400	0,97
NEK2134GK	8,78	1/2	LBP	115V 60HZ 1~	CSIR	420	0,99
NEU2140GK	8,78	1/2	LBP	115-127V 60HZ 1~	CSIR	409	0,99
NEU2140GK	8,78	1/2	LBP	115-127V 60HZ 1~	CSR	414	1,07
NEU2140GK	8,78	1/2	LBP	200-230V 50HZ / 208-230V 60HZ 1~	CSIR	409	0,99
NEK2150GK	12,12	1/2	LBP	208-230V 60HZ 1~	CSIR	509	0,89
NEK2150GK	12,12	1/2	LBP	100V 50/60HZ 1~	CSR	512	0,98
NEK2150GK	12,12	1/2	LBP	115V 60HZ 1~	CSIR	527	0,92
NEK2150GK	12,12	1/2	LBP	115V 60HZ 1~	CSR	536	1,01
NEU2155GK	12,12	3/4	LBP	115-127V 60HZ 1~	CSIR	559	0,99
NEU2155GK	12,12	3/4	LBP	115-127V 60HZ 1~	CSR	563	1,07
NEU2155GK	12,12	3/4	LBP	208-230V 60HZ 1~	CSIR	560	0,99
NEU2155GK	12,12	3/4	LBP	208-230V 60HZ 1~	CSR	570	1,03
NEK2168GK	14,30	3/4	LBP	115V 60HZ 1~	CSR	577	0,95
NEK2168GK	14,30	3/4	LBP	208-230V 60HZ 1~	CSR	584	0,94
NEU2168GK	14,30	3/4	LBP	115-127V 60HZ 1~	CSR	649	1,05
NEU2168GK	14,30	3/4	LBP	208-230V 60HZ 1~	CSR	673	1,03
NT2168GS	14,50	3/4	LBP	200V 50/60HZ 3~	3PHASE	578	0,97
NT2168GK(V)	14,50	3/4	LBP	208-230V 60HZ 1~	CSIR	580	0,94
NT2168GK(V)	14,50	3/4	LBP	115V 60HZ 1~	CSR	610	1,03
NT2168GK(V)	14,50	3					

COMPRESSORS PRODUCT MAP • 60 Hz

R404A/R507/R452A							
MBP							
EU PORTFOLIO TEST CONDITION ARI 540							
MODEL	DISPL.[CC]	HP	APPL.	VOLTAGE/FREQUENCY	MOTOR TYPE	COOL. CAP. [W]	COP [WW]
EMT6144GK	4,52	1/4	MBP	115V 60HZ 1-	CSIR	372	1,48
EMT6144GK	4,52	1/4	MBP	208-230V 60HZ 1-	CSIR	400	1,50
NEK6144GK	4,52	1/4	MBP	115V 60HZ 1-	CSIR	400	1,28
NEK6144GK	4,52	1/4	MBP	208-230V 60HZ 1-	CSIR	395	1,28
NEK6152GK	5,45	1/4	MBP	115V 60HZ 1-	CSIR	481	1,22
NEK6152GK	5,45	1/4	MBP	208-230V 60HZ 1-	CSIR	481	1,22
NEK6181GK	7,28	1/3	MBP	115V 60HZ 1-	CSIR	552	1,23
NEK6181GK	7,28	1/3	MBP	208-230V 60HZ 1-	CSIR	616	1,26
NEK6181GK	7,28	1/3	MBP	115V 60HZ 1-	CSR	627	1,34
NEK6181GK	7,28	1/3	MBP	208-230V 60HZ 1-	CSIR	610	1,26
NEK6181GK	7,28	1/3	MBP	115-127V 60HZ 1-	CSIR	UD	UD
NEK6181GK	7,28	1/3	MBP	115-127V 60HZ 1-	CSR	UD	UD
NEU6210GK	7,28	1/3	MBP	115-127V 60HZ 1-	CSIR	698	1,45
NEU6210GK	7,28	1/3	MBP	115-127V 60HZ 1-	CSR	700	1,53
NEU6210GK	7,28	1/3	MBP	200-230V 50HZ / 208-230V 60HZ 1-	CSIR	UD	UD
NEU6210GK	7,28	1/3	MBP	200-230V 50HZ / 208-230V 60HZ 1-	CSR	UD	UD
NEK6210GK	8,78	1/2	MBP	100V 60HZ 1-	CSIR	754	1,32
NEK6210GK	8,78	1/2	MBP	115V 60HZ 1-	CSIR	753	1,34
NEK6210GK	8,78	1/2	MBP	208-230V 60HZ 1-	CSIR	750	1,34
NEK6210GK	8,78	1/2	MBP	115V 60HZ 1-	CSR	767	1,43
NEU6212GK	8,78	1/2	MBP	115-127V 60HZ 1-	CSIR	831	1,45
NEU6212GK	8,78	1/2	MBP	115-127V 60HZ 1-	CSR	841	1,56
NEU6212GK	8,78	1/2	MBP	208-230V 60HZ 1-	CSIR	842	1,42
NEU6212GK	8,78	1/2	MBP	208-230V 60HZ 1-	CSR	848	1,51
NEU6214GK	10,00	1/2	MBP	200-230V 50HZ / 208-230V 60HZ 1-	CSIR	964	1,47
NEU6214GK	10,00	1/2	MBP	200-230V 50HZ / 208-230V 60HZ 1-	CSR	974	1,57
NEU6214GK	10,00	1/2	MBP	115-127V 60HZ 1-	CSIR	960	1,43
NEU6214GK	10,00	1/2	MBP	115-127V 60HZ 1-	CSR	966	1,55
NEK6213GK	12,12	1/2	MBP	115V 60HZ 1-	CSIR	1050	1,21
NEK6213GK	12,12	1/2	MBP	115V 60HZ 1-	CSR	1113	1,33
NEK6213GK	12,12	1/2	MBP	208-230V 60HZ 1-	CSIR	1039	1,22
NEU6215GK	12,12	3/4	MBP	115-127V 60HZ 1-	CSIR	1142	1,36
NEU6215GK	12,12	3/4	MBP	115-127V 60HZ 1-	CSR	1141	1,49
NEU6215GK	12,12	3/4	MBP	208-230V 60HZ 1-	CSIR	1144	1,33
NEU6215GK	12,12	3/4	MBP	208-230V 60HZ 1-	CSR	1156	1,44
NT6217GK(V)	12,55	3/4	MBP	208-230V 60HZ 1-	CSIR	1070	1,25
NT6217GK(V)	12,55	3/4	MBP	208-230V 60HZ 1-	CSR	1115	1,53
NT6217GK(V)	12,55	3/4	MBP	115V 60HZ 1-	CSIR	1030	1,26
NT6217GK(V)	12,55	3/4	MBP	115V 60HZ 1-	CSR	1072	1,54
NEU6220GK	14,30	3/4	MBP	115-127V 60HZ 1-	CSR	1340	1,42
NEU6220GK	14,30	3/4	MBP	208-230V 60HZ 1-	CSR	1358	1,41
NT6220GK(V)	14,50	3/4	MBP	208-230V 60HZ 1-	CSIR	1247	1,38
NT6220GK(V)	14,50	3/4	MBP	115V 60HZ 1-	CSR	1250	1,52
NT6220GK(V)	14,50	3/4	MBP	208-230V 60HZ 1-	CSR	1283	1,57
NT6222GK(V)	17,40	3/4	MBP	208-230V 60HZ 1-	CSIR	1475	1,14
NT6222GK(V)	17,40	3/4	MBP	208-230V 60HZ 1-	CSR	1537	1,40
NT6222GK(V)	17,40	3/4	MBP	115V 60HZ 1-	CSR	1569	1,58
NT6224GK	20,40	1	MBP	208-230V 60HZ 1-	CSR	1808	1,55
NT6224GK	20,40	1	MBP	115V 60HZ 1-	CSR	1859	1,55
NTU6232GK(V)	20,40	1	MBP	200-230V 60HZ 3-	3PHASE	2035	1,76
NTU6232GK(V)	20,40	1	MBP	115V 60HZ 1-	CSR	2090	1,76
NTU6232GK(V)	20,40	1	MBP	208-230V 60HZ 1-	CSR	2101	1,73
NJ9226GK	21,70	1	M/HBP	208-230V 60HZ 1-	CSR	2742	2,19
NJ9226GS	21,70	1	M/HBP	380-420V 50HZ / 440-480V 60HZ 3-	3PHASE	2811	2,38
NT6226GK(V)	22,40	1	MBP	115V 60HZ 1-	CSR	1942	1,41
NT6226GK(V)	22,40	1	MBP	208-230V 60HZ 1-	CSR	2009	1,48
NTU6234GK(V)	23,70	1 1/4	MBP	200-230V 60HZ 3-	3PHASE	2378	1,77
NTU6234GK(V)	23,70	1 1/4	MBP	208-230V 60HZ 1-	CSR	2477	1,73
NJ9232GK	26,10	1 1/4	M/HBP	208-230V 60HZ 1-	CSR	3479	2,36
NJ9232GS	26,10	1 1/4	M/HBP	380-420V 50HZ / 440-480V 60HZ 3-	3PHASE	3488	2,47
NTU6238GK(V)	26,20	1 1/2	MBP	200-230V 60HZ 3-	3PHASE	2635	1,73
NTU6238GK(V)	26,20	1 1/2	MBP	208-230V 60HZ 1-	CSR	2748	1,74
NTU6240GK(V)	27,80	1 1/2	MBP	208-230V 60HZ 1-	CSR	2860	1,71
NTU6240GK(V)	27,80	1 1/2	MBP	200-230V 60HZ 3-	3PHASE	2779	1,69
NJ9238GK	32,70	1 1/2	M/HBP	230V 60HZ 1-	CSR	3834	2,04
NJ9238GS	32,70	1 1/2	M/HBP	380-420V 50HZ / 440-480V 60HZ 3-	3PHASE	4186	2,51

R290							
LBP							
EU PORTFOLIO TEST CONDITION ARI 540							
MODEL	DISPL.[CC]	HP	APPL.	VOLTAGE/FREQUENCY	MOTOR TYPE	COOL. CAP. [W]	COP [WW]
EMC3134U	7,95	UD	L/MBP	115-127V 60HZ 1-	RSCR	UD	UD
NEK2134U	10,00	1/2	LBP	115V 60HZ 1-	CSIR	415	1,10
NEU2140U	10,00	1/2	LBP	115-127V 60HZ 1-	CSIR	449	1,14
NEK2150U	13,54	1/2	LBP	115V 60HZ 1-	CSIR	550	1,02
NEK2150U	13,54	1/2	LBP	115V 60HZ 1-	CSR	554	1,11
NEU2155U	13,54	3/4	LBP	115-127V 60HZ 1-	CSIR	600	1,14
NEU2155U	13,54	3/4	LBP	115-127V 60HZ 1-	CSR	608	1,22
NEU2168U	16,80	3/4	LBP	115-127V 60HZ 1-	CSR	748	1,19
NEU2168U	16,80	3/4	LBP	208-230V 60HZ 1-	CSIR	736	1,10
NEU2168U	16,80	3/4	LBP	208-230V 60HZ 1-	CSR	748	1,21
NT2160U(V)	17,40	3/4	LBP	208-230V 60HZ 1-	CSIR	604	1,00
NT2160U(V)	17,40	3/4	LBP	115V 60HZ 1-	CSR	638	1,10
NEU21678U	18,70	UD	LBP	115-127V 60HZ 1-	CSR	UD	UD
NT2170U(V)	20,40	3/4	LBP	208-230V 60HZ 1-	CSIR	672	0,98
NT2170U(V)	20,40	3/4	LBP	115V 60HZ 1-	CSR	772	1,12
NT2180UV	22,40	1	LBP	208-230V 60HZ 1-	CSR	830	1,12
NT2180UV	22,40	1	LBP	115V 60HZ 1-	CSR	832	1,12
NT2210UV	27,80	1	LBP	208-230V 60HZ 1-	CSR	1051	1,12
NT2210UV	27,80	1 1/4	LBP	115V 60HZ 1-	CSR	1060	1,11

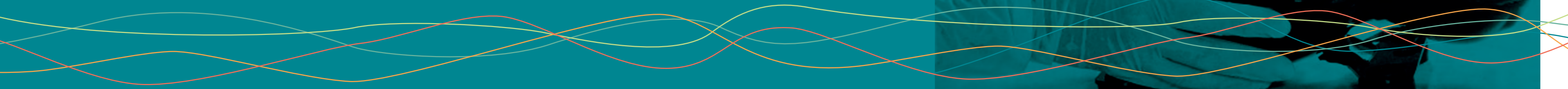
R290							
LBP							
BR PORTFOLIO TEST CONDITION ASHRAE LBP32							
MODEL	DISPL.[CC]	HP	APPL.	VOLTAGE/FREQUENCY	MOTOR TYPE	COOL. CAP. [W]	COP [WW]
EM150UER	3,00	1/6	L/MBP	115-127V 60HZ 1-	RSIR/CSIR	152	1,37
EM150UER	3,00	1/6	L/MBP	220-240V 50/60 HZ 1-	RSIR/CSIR	152	1,37
EM170UER	4,08	1/6	L/MBP	115-127V 60HZ 1-	CSIR	205	1,27
EM170UER	4,08	1/6	L/MBP	220-240V 50/60 HZ 1-	RSIR/CSIR	210	1,30
EM190UEX	4,99	1/4	L/MBP	115-127V 60HZ 1-	CSIR	285	1,36
EM190UEX	4,99	1/4	L/MBP	220V 60HZ 1-	CSIR	299	1,44
EM2X3121U	5,54	1/4	L/MBP	115-127V 60HZ 1-	RSCR	316	1,73
EM2X3125U	6,09	1/3	L/MBP	115-127V 60HZ 1-	RSCR	357	1,72
FFU130UAX	6,76	1/3	L/MBP	115-127V 60HZ 1-	CSIR	390	1,23
FFU130UAX	6,76	1/3	L/MBP	220-240V 50/60 HZ 1-	CSIR	394	1,56
FFU160UAX	7,95	1/3	L/MBP	115-127V 60HZ 1-	CSIR	394	1,56
FFU160UAX	7,95	1/2	L/MBP	220V 60HZ 1-	CSIR	506	1,58

MBP							
EU PORTFOLIO TEST CONDITION ARI 540							
MODEL	DISPL.[CC]	HP	APPL.	VOLTAGE/FREQUENCY	MOTOR TYPE	COOL. CAP. [W]	COP [WW]
NEK6152U	5,45	1/4	MBP	115V 60HZ 1-	CSIR	449	1,51
NEK6165U	6,20	1/4	MBP	115V 60HZ 1-	CSIR	505	1,5
NEU6181U	7,28	1/3	MBP	115-127V 60HZ 1-	CSIR	633	1,72
NEK6210U	8,78	1/3	MBP	115V 60HZ 1-	CSIR	717	1,6
NEK6213U	12,12	0,5	MBP	115V 60HZ 1-	CSIR	998	1,48
NEU6214U	12,12	0,5	MBP	115-127V 60HZ 1-	CSIR	1085	1,74
NEU6214U	12,12	0,5	MBP	115-127V 60HZ 1-	CSR	1097	1,86
NEU6217U	14,30	3/4	MBP	115-127V 60HZ 1-	CSIR	1261	1,67
NEU6217U	14,30	3/4	MBP	115-127V 60HZ 1-	CSR	1278	1,82
NEU6217U	14,30	3/4	MBP	208-230V 60HZ 1-	CSIR	1238	1,63
NEU6217U	14,30	3/4	MBP	208-230V 60HZ 1-	CSR	1254	1,81
NT6217UV	14,50	0,5	MBP	115V 60HZ 1-	CSIR	1005	1,58
NT6217UV	14,50	0,5	MBP	115V 60HZ 1-	CSR	1028	1,74
NT6220UV	17,40	3/4	MBP	115V 60HZ 1-	CSR	1356	1,84
NT6222UV	20,40	3/4	MBP	115V 60HZ 1-	CSR	1522	1,78
NT6224UV	22,40	1	MBP	208-230V 60HZ 1-	CSR	1744	1,75

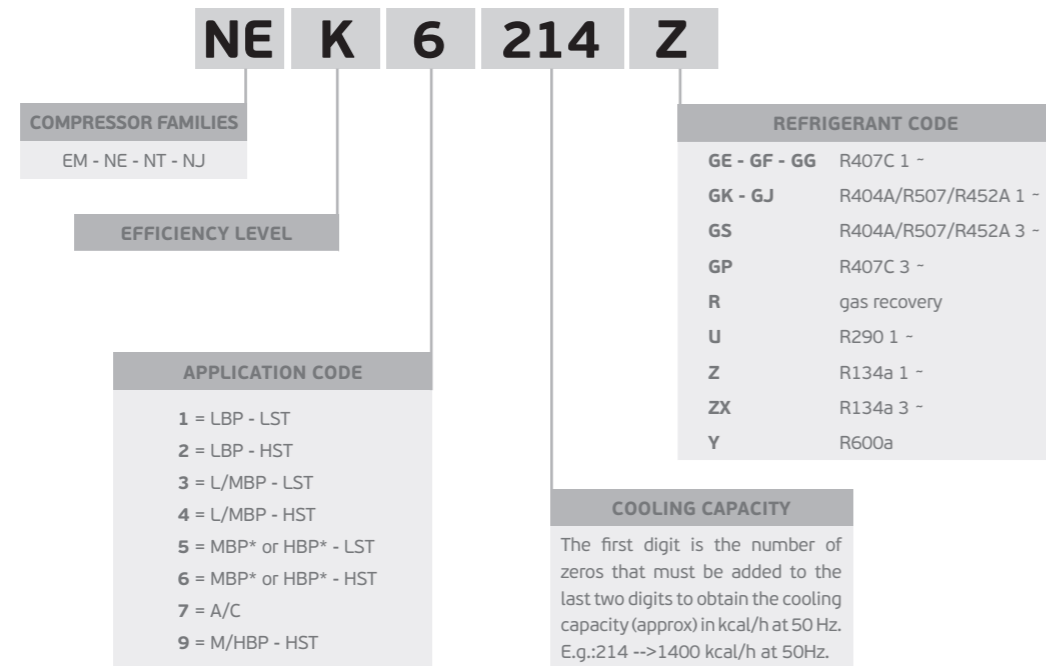
R600a							
LBP							
EU PORTFOLIO TEST CONDITION ASHRAE LBP32							
MODEL	DISPL.[CC]	HP	APPL.	VOLTAGE/FREQUENCY	MOTOR TYPE	COOL. CAP. [W]	COP [WW]
EMX3113Y	9,04	1/6	L/MBP	100V 50HZ / 100-127V 60HZ 1-	RSCR	183	1,73
EMX60CLC	9,04	1/6	LBP	115 - 127V 60HZ 1-	RSIR/RSCR	186	1,71
EMX3115Y	10,61	1/6	L/MBP	100V 50HZ / 100-127V 60HZ 1-	RSCR	213	1,69
EMX3118Y	12,20	1/5	L/MBP	100V 50HZ / 100-127V 60HZ 1-	RSCR	241	1,64

LBP							
BR PORTFOLIO TEST CONDITION ASHRAE LBP32							
MODEL	DISPL.[CC]	HP	APPL.	VOLTAGE/FREQUENCY	MOTOR TYPE	COOL. CAP. [W]	COP [WW]
EMX20CLC	3,97	1/12	LBP	115 - 127V 60HZ 1-	RSCR	77	1,56
EMT30CDP	4,50	1/10	L/M/HBP	100V 50/60 HZ 1-	RSIR	94	1,42
EMI30CNP	4,99	1/10	L/MBP	220V 50/60 HZ 1-	RSIR	94	1,22
EMU40CNP	6,36	1/8	L/MBP	220V 50/60 HZ 1-	RSIR	120	1,25
EMU40CLP	5,96	1/8	LBP	220V 50/60 HZ 1-	RSIR	120	1,34
EMU40CLP	5,96	1/8	LBP	115 - 127V 60HZ 1-	RSCR	115	1,25
EMU60CLP	9,04	1/6	LBP	115-127V 60HZ 1-	RSIR	175	1,47
EMU60CLP	9,04	1/8	LBP	220V 60 HZ 1-	RSIR	171	1,38
EMYE70CLP	10,61	1/6	LBP	115-127V 60HZ 1-	RSIR	197	1,47
EMYE70CLP	10,61	1/6	LBP	220V 50/60 HZ 1-	RSIR	203	1,46
EGAS80CLP	11,14	1/5	LBP	115-127V 60HZ 1-	RSIR	245	1,51
EGAS80CLP	11,14	1/5	LBP	220V 60 HZ 1-	RSIR	243	1,57
EGAS80CLP	11,14	1/5	LBP	220V 50/60 HZ 1-	RSIR	242	1,59
EGY590CLP	12,21	1/4	LBP	115-127V 60HZ 1-	RSCR	267	1,71
EGY590CLP	12,21	1/4	LBP	220-			

NOMENCLATURE

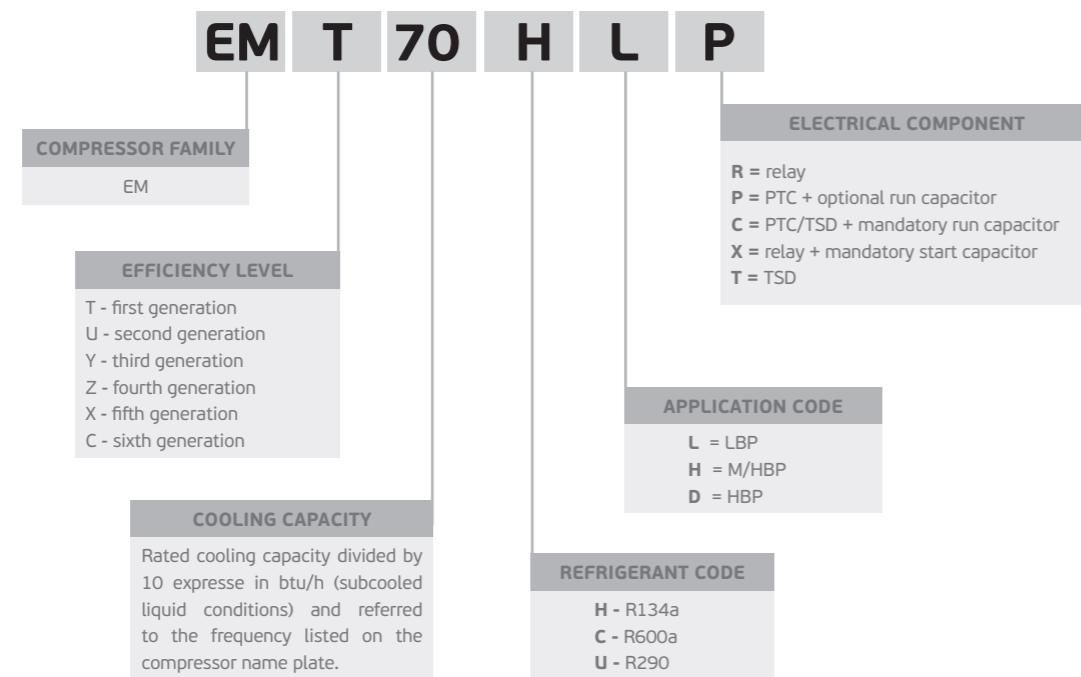


EM / NE / NT / NJ

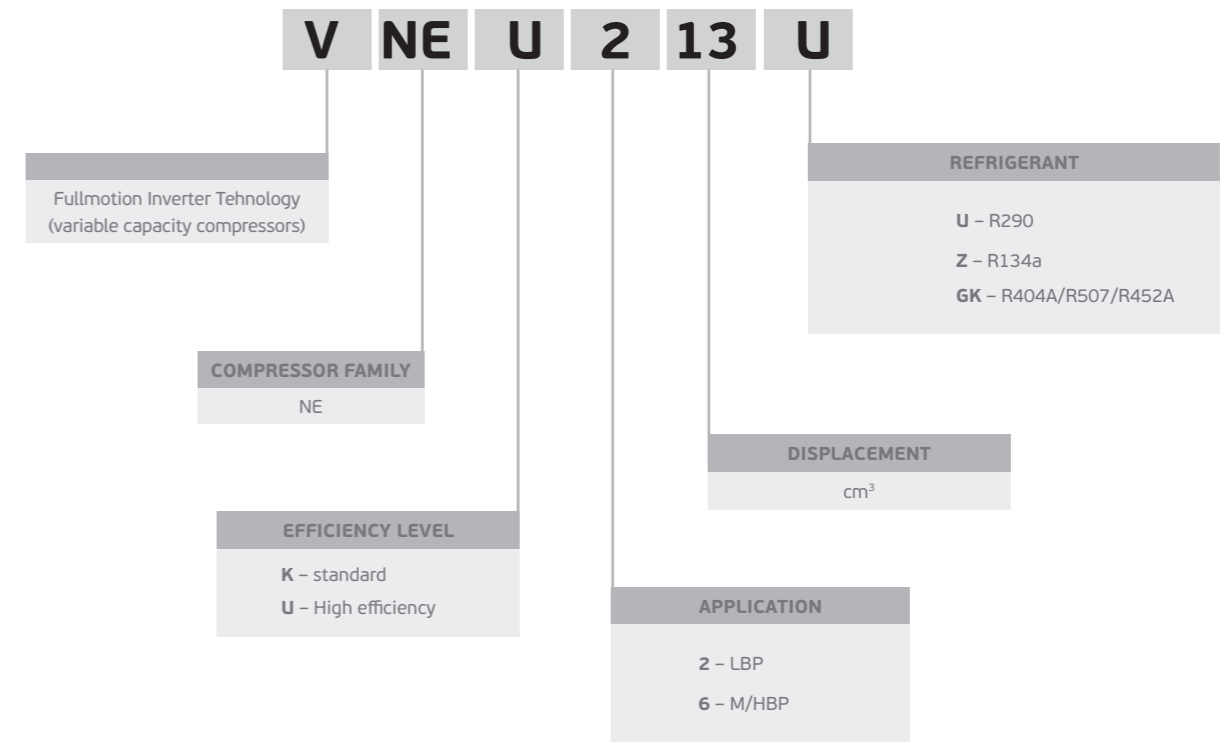


The V letter at the end of the compressor name stands for IPR valve.
*According to the refrigerant used

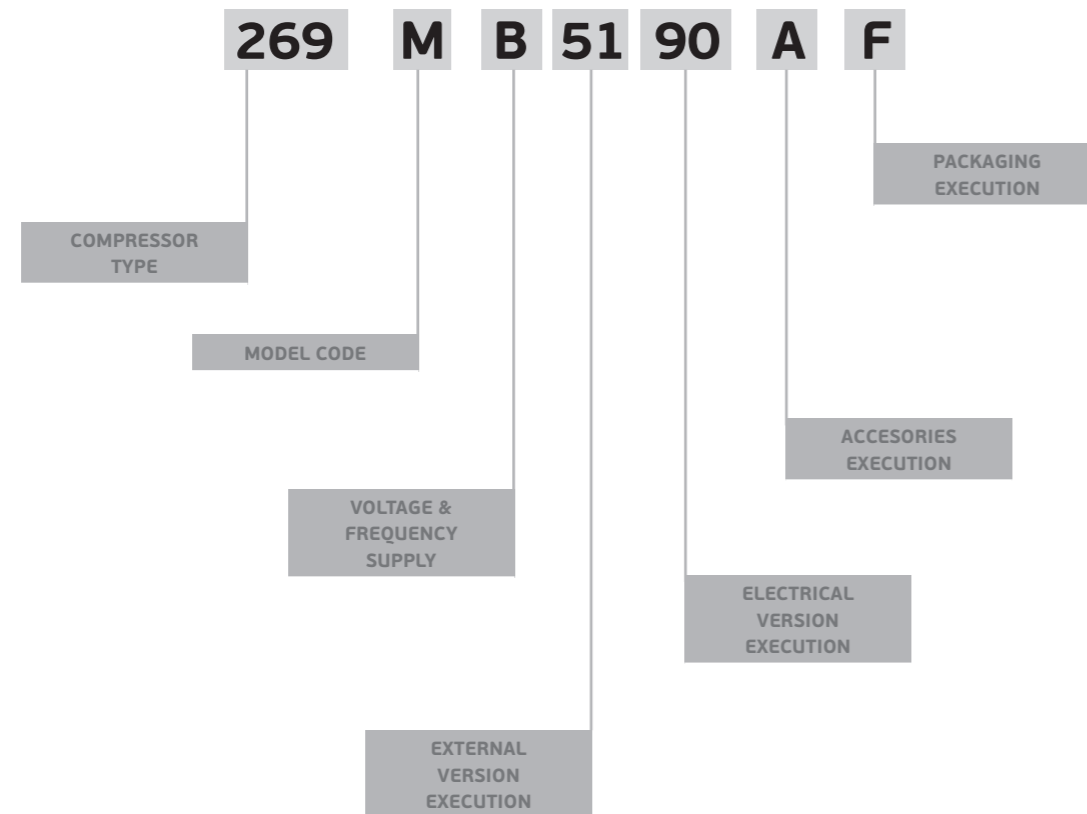
EM



VNE



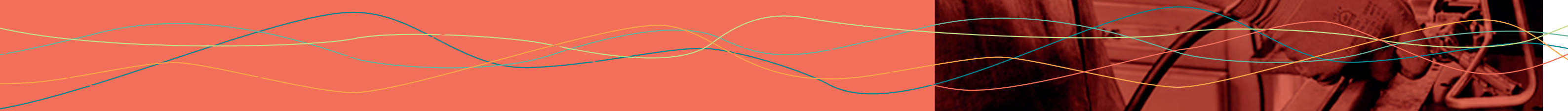
COMPRESSOR BILL OF MATERIAL CODE *



* Valid for European Products



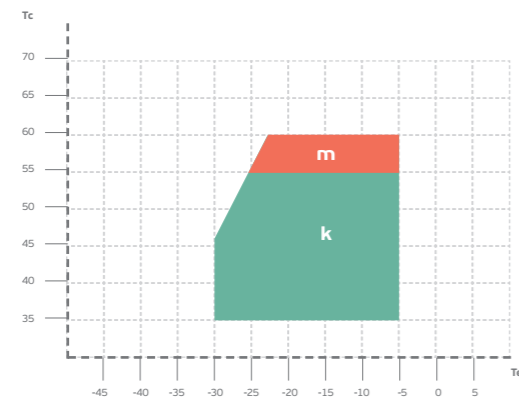
TECHNICAL
INFORMATION



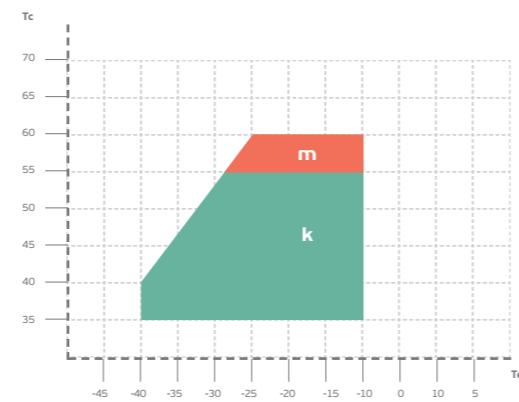
OPERATING ENVELOPE

EMC, EMX, NE, NT, NJ, VNE

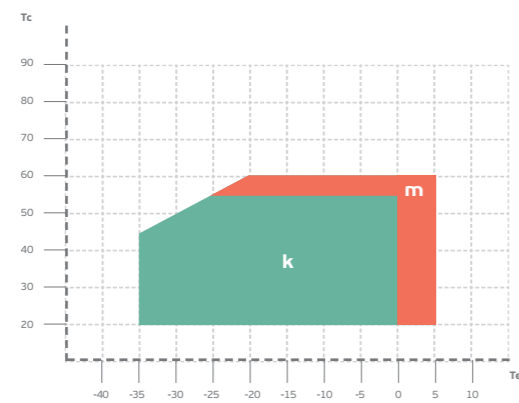
LBP
R134a - R600a



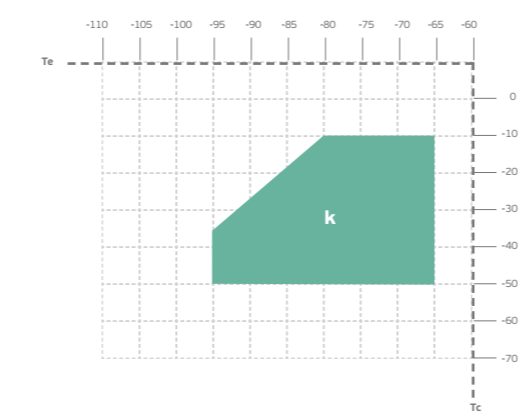
LBP
R404A/R507/R452A - R290



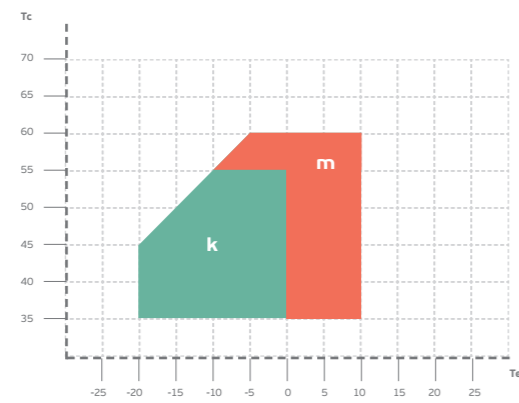
L/MBP
R290



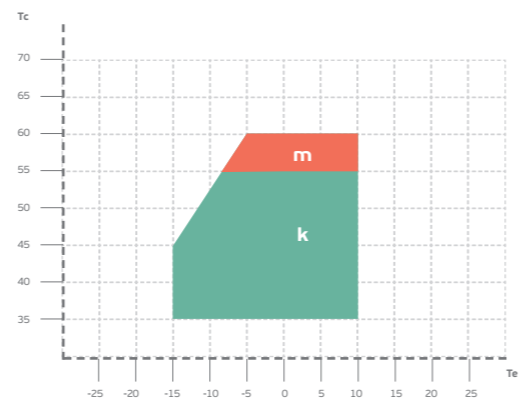
ULBP
R508B/R170 - second stage of cascade



MBP
R404A/R507/R452A - R290



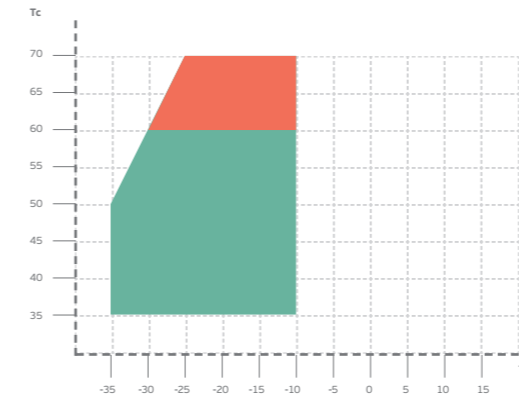
HBP
R134a - R600a



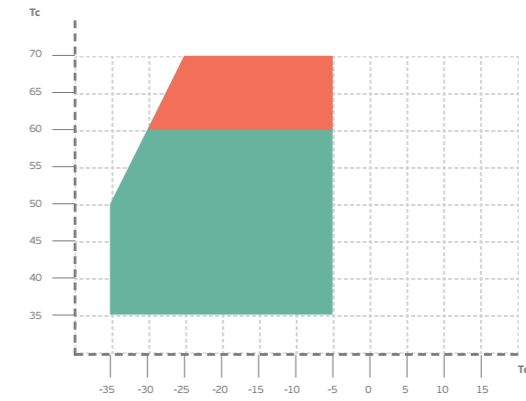
EM, EG, F, VEM, VEG, VES

Ambient temperature: 42,7 °C - Return temperature: 32,2 °C

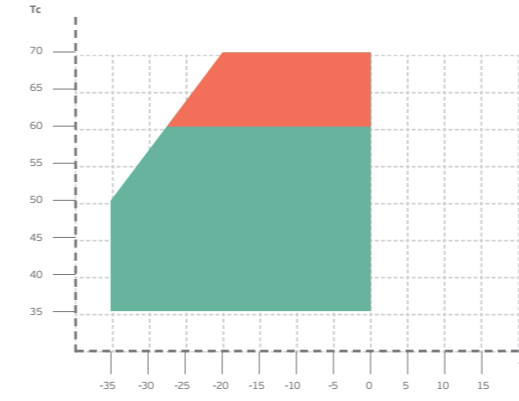
LBP
R290 - R134a - R600a



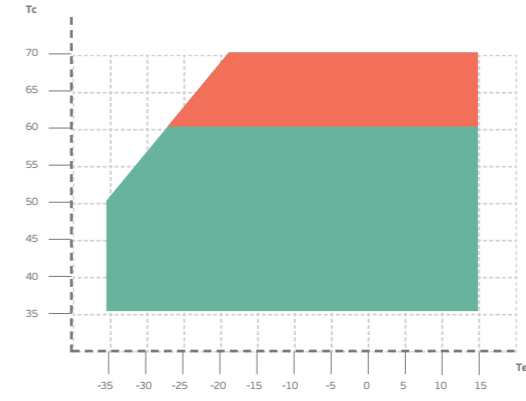
L-MBP (STANDARD)
R290 - R134a



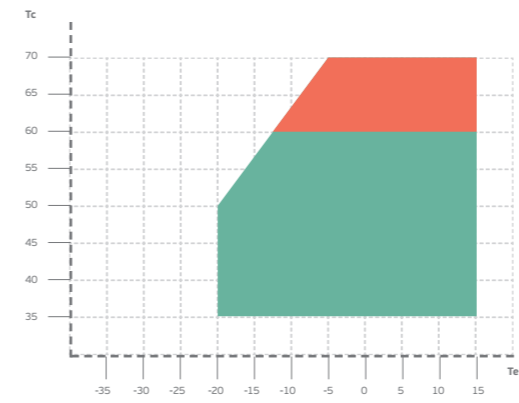
L-MBP EXTENDED RANGE FFUS, EM2, EM3
R290 - R134a - R600a



L-M-HBP
R134a



M-HBP
R134a



■ Operation Condition
■ Transient Condition

Tc Condensing Temperature
k Ambient 32°C and return gas 20°C
Te Evaporating Temperature
m Ambient 32°C and return gas 20°C (for transitory period)

NOTE: usage of compressors outside the intended working range cannot make use of the warranty, or should be consulted with Technical support.

APPLICATIONS

ULBP	ULTRA LOW BACK PRESSURE	APPLICATIONS:
	Evaporating temperature between -95 °C and -65 °C	medical appliances.
LBP	LOW BACK PRESSURE	APPLICATIONS:
	Evaporating temperature lower than -20 °C	refrigerators, frozen food cabinets, frozen food display case, display windows, etc.
L/MBP	LOW/MEDIUM BACK PRESSURE	APPLICATIONS:
	Evaporating temperature between -35 °C and 0 °C	professional kitchen coolers, icecream freezers, bottle coolers, chest freezers, etc.
MBP	MEDIUM BACK PRESSURE	APPLICATIONS:
	Evaporating temperature between -20 °C and 0 °C	fresh food cabinets, drink coolers, ice makers, etc.
M/HBP	MEDIUM/HIGH BACK PRESSURE	APPLICATIONS:
	Evaporating temperature between -20 °C and +10 °C	coolers, merchandisers, etc.
HBP	HIGH BACK PRESSURE	APPLICATIONS:
	Evaporating temperature between -15 °C and +10 °C	fresh food cabinets, bottle coolers, dehumidifiers, etc.

EXPANSION DEVICE

C	Capillary Tube.
V	Expansion Valve.

TEST CONDITIONS

TEST CONDITIONS	APPLICATION	EVAPORATING TEMPERATURE °C	CONDENSING TEMPERATURE °C	RETURN GAS TEMPERATURE °C	SUB-COOLING	AMBIENT TEMPERATURE °C
EN 12900	LBP	-35	40	20 (*)	NO SUBCOOLING	32
	MBP	-10	45			
	HBP	5	50			
ARI 540	LBP	-23,3	48,9	4,4	NO SUBCOOLING	35
	MBP	-6,7	48,9	4,4		
	HBP	7,2	54,4	18,3	8,3K	
ASHRAE SUBCOOLED	LBP	-23,3	54,4	32,2	22,2K	32,2
	MBP and HBP	7,2	54,4	35	8,3K	35
CECOMAF	LBP	-25	55	32	NO SUBCOOLING	32

(*) For EMT and NE models return gas temperature is 32°C.

UNIT CONVERSION TABLE

UNIT CONVERSION	
1 watt	3,41 Btu/h
1 watt	0,86 kcal/h
1 kcal/h	3,97 Btu/h

COOLING TYPE

STATIC (S)	Compressor doesn't require forced cooling, but its installation is requiring adequate cool by ambient air to avoid overheating.
FAN (F)	Compressor requires forced cooling through the use of a fan.

OIL TYPE (the number indicates the viscosity)

AB	Alkylbenzene and Alquilb
POE	Ester
MIN	Mineral

MOTOR TORQUE

LST	LOW STARTING TORQUE Compressor with RSIR-RSCR-PSC electrical motor for systems with capillary tube and with equalized pressures at start up.
HST	HIGH STARTING TORQUE Compressor with CSIR-CSR and 3ph electrical motor for systems with equalized or not equalized pressures at start up.

ELECTRICAL MOTOR TYPES

RSIR	Resistance Start – Inductive Run This motor type, used in the compressor of small power, has a low starting torque (LST) and must be applied only to capillary tube systems where the pressures equalize. The motor is characterized by a start winding with high ohmic resistance and must be disconnected when it reaches the stabilized rotational speed. An electromagnetic relay, calibrated for the motor current, disconnects the start winding at the end of the start up. An alternative to the electromagnetic relay is, for some models, a PTC solid state-starting device.
RSCR	Resistance Start – Capacitive Run Similar to RSIR motor version but uses a PTC solid state starting device and a permanent connected run capacitor to improve its efficiency.
CSIR	Capacitive Start – Inductive Run Similar to RSIR motor, with a different start winding in series with a start capacitor of suitable capacitance to get a high starting torque.
CSR	Capacitive Start & Run CSR version with capacitive run and start windings. Same as PSC motor but with a start capacitor in series with the start winding. A potential starting relay, calibrated for each motor, disconnects the start capacitor at the end of the start. The motor is characterized by a high starting torque (HST) and high efficiency.
PSC	Permanent Split Capacitor: PSC version with capacitive run winding. This motor is characterized by the run capacitor permanently connected in series with the start winding; both remain connected even after the motor starts. The starting torque is enough to guarantee that the compressor starts only with balanced pressures in capillary tubes systems or with a pressure equalizer.
3Ø	Three Phase Three-phase windings with star connections.
BLDC	Brushless DC motor - motor with permanent magnets Motor-compressor with this type of motor is provided with inverter drive which allows motor-compressor to work in various RPM (rotation per minute). RPM modulation result in cooling capacity adjustment according actual appliance needs which results in energy savings and more precise temperature regulation.

ELECTRICAL COMPONENTS

TYPE OF MOTOR	STARTING DEVICE					CAPACITORS	
	Overload Protector (*)	Current Relay	Voltage Relay	PTC	TSD	Start	Run
RSIR	√	√	X	√	X	X	X
RSCR	√	X	X	√	√	X	√
CSIR	√	√	X	X	X	√	X
CSR	√	X	√	X	X	√	√
PSC	√	X	X	X	X	X	√
3-Phases	√	X	X	X	X	X	X

(*) Some models approved with Internal OLP

VOLTAGE & FREQUENCY

Code	Voltage & Frequency	Voltage Working Range		Minum Start Voltage	
		50Hz	60Hz	50Hz	60Hz
A	220 - 240V 50Hz 1 ~	198V - 254V		187V	
B	200 - 230V 50Hz / 208 - 230V 60Hz 1 ~	180V - 244V	187V - 244V	170V	177V
C	220V 50Hz 1 ~	200V - 242V		187V	
D	208 - 230V 60Hz 1 ~		187V - 244V		177V
E	115 - 127V 60Hz 1 ~		103V - 134V		98V
F	100V 50 Hz / 100 - 127V 60Hz 1 ~	90V - 110V	90V - 134V	85V	85V
G	115V 60Hz 1 ~		103V - 127V		98V
J	230V 60Hz 1 ~		207V - 253V		195V
K	200 - 220 V 50 Hz / 230 V 60 Hz 1~	180V - 234V	207V - 253V	170V	195V
M	380 - 420V 50Hz / 440 - 480V 60 Hz 3 ~	332V - 445V	396V - 509V	323V	374V
N	200 - 240V 50Hz / 230V/60Hz 1 ~	180V - 254V	207V -253V	170V	195V
P	380V 60Hz 3 ~		342V -418V		323V
Q	100V 50 / 60 Hz 1~	90V - 110V	90V -110V	85V	85V
R	200V 50 / 60Hz 3 ~	180V - 220V	180V - 220V	170V	170V
V	230V 50Hz 1 ~	207V - 253V		195V	
X	220 - 240V 50 / 60 Hz 1 ~	150V (160V*) - 240V		150V (160V*)	
Z	200 - 230V 60Hz 1 ~		180V - 244V		170V

* Depending on compressor family, for details contact Technical Support.

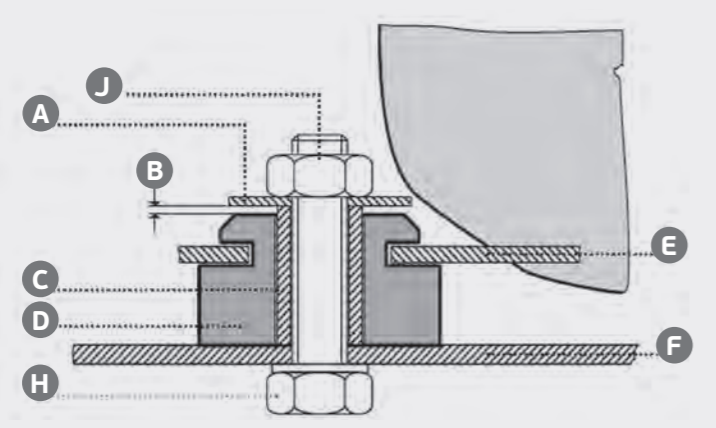
COMPRESSOR FIXING & VALVE TYPE

FIXING TYPE	EM / VES	NE / VNE	NT	NJ
A	Grommets & Sleeves	Grommets & Sleeves	Grommets & Sleeves	Grommets & Sleeves
P	Grommets & Snap On	Grommets & Snap On	X	X

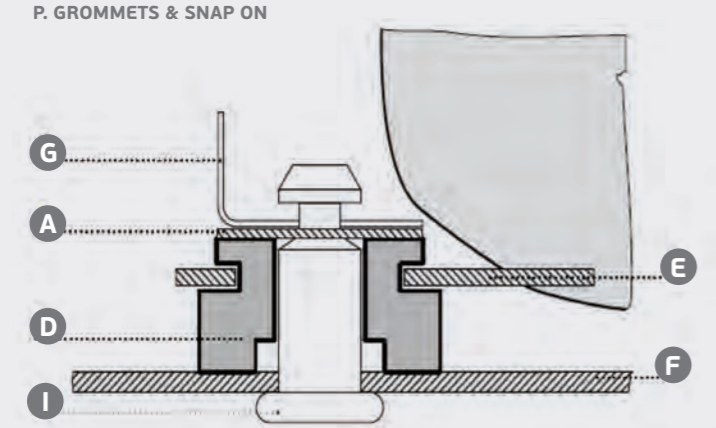
VALVE TYPE	EM / VES	NE / VNE	NT	NJ
V	X	X	X	Rotolock Valve Threated Connection
Z	X	X	X	Rotolock Valve Brazed Connection

ACCESSORIES & OPTIONS

A. GROMMETS & SLEEVES



P. GROMMETS & SNAP ON



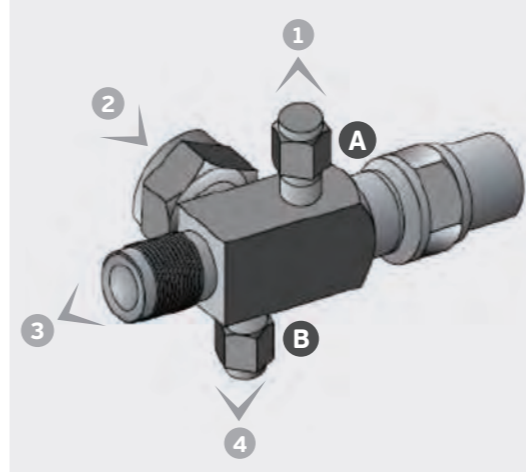
ASSEMBLING PROCESS:

- A** Washer
- B** Gap
- C** Sleeve
- D** Grommets
- E** Base Plate
- F** Mounting Base
- G** Clip
- H** Screw
- I** Pin
- J** Nut

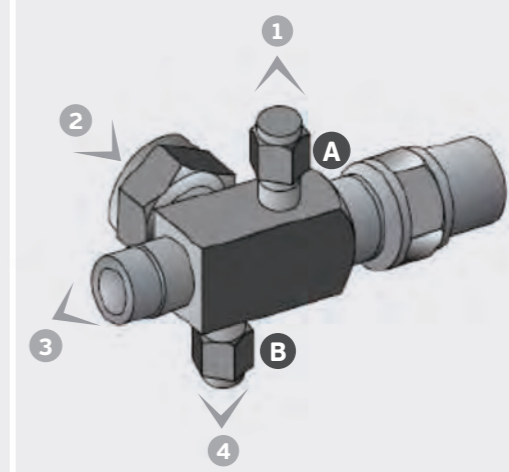
Screw, Nut, Washer are not part of delivery

ROTOLOCK VALVE

V. THREADED CONNECTION



Z. BRAZED CONNECTION



1 Attachment for service or for a manometer

2 Connection to the receiver or to the compressor

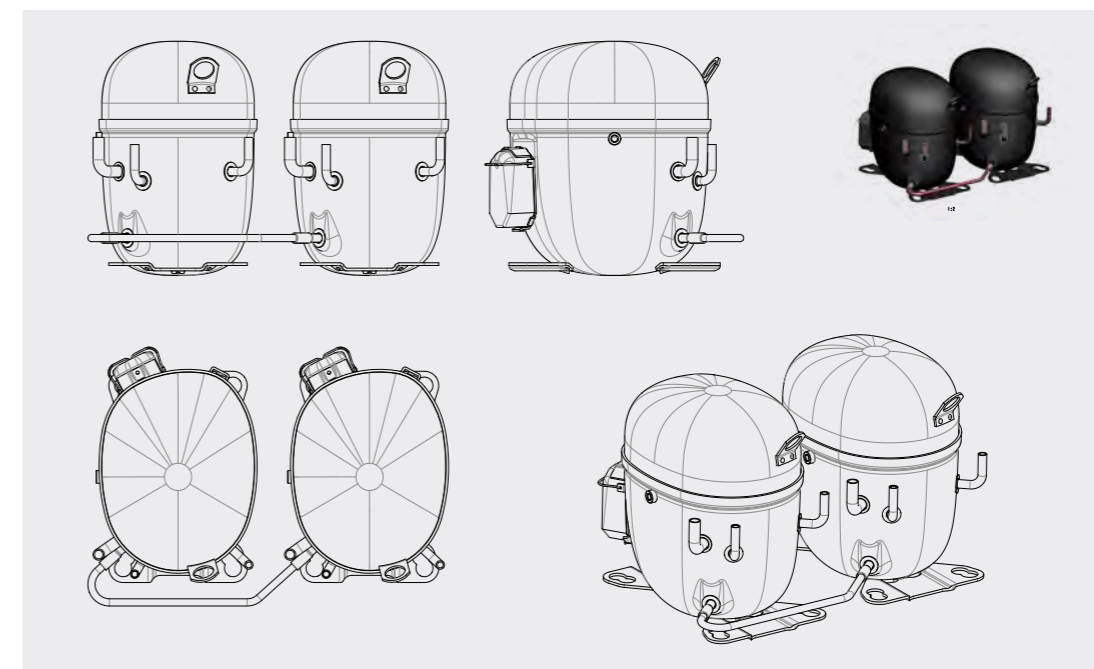
3 Main port

4 Connections for pressure-stat

A & B
Service caps (hexagonal nuts)

GEMINI (TWIN)

Gemini is a product line that matches low noise and short height for typical semi-hermetic solution. Through an especial shape Embraco designed an hermetic light commercial compressors which can be embedded in appliances, considering individual or dual mode, it means a modular cooling capacity when demanded. These products are available in condensing units and also only compressors.



Selected compressor shells may be applied with Gemini connection tube. For details contact Technical Support.

PACKAGING

EMT / EMY / EMX / EMC / VES					
PACKAGING TYPE	CODE	QUANTITY PER PALLET	ELECTRICAL COMPONENTS		NOTE
			ASSEMBLED	NOT ASSEMBLED	
SINGLE PACK	A	70	√	X	
	J	56	√	X	
MULTIPLE PACK	R	100	X	√	Electrical components and accessories delivered separately
	S	120	X	√	
	G	100	√	X	Accessories delivered separately
	O	74	√	X	
	W	88	√	X	
	V	100	√	X	
	E	120	√	X	

NE / NEK / NEU / VNEK / VNEU					
PACKAGING TYPE	CODE	QUANTITY PER PALLET	ELECTRICAL COMPONENTS		NOTE
			ASSEMBLED	NOT ASSEMBLED	
SINGLE PACK	A	56	√	√	
	F	44	√	√	CSR electrical box included
	J	56	√	X	
MULTIPLE PACK	H	28	√	X	CSR electrical box included
	M	80	X	√	Electrical components and accessories delivered separately
	N	40	X	√	
	O	74	√	X	
	Q	37	√	X	

NT / NTU					
PACKAGING TYPE	CODE	QUANTITY PER PALLET	ELECTRICAL COMPONENTS		NOTE
			ASSEMBLED	NOT ASSEMBLED	
SINGLE PACK	A	44	√	√	
	F	44	√	√	CSR electrical box included
MULTIPLE PACK	C	36	X	√	Electrical components and accessories delivered separately
	Z	24	√	X	

NJ					
PACKAGING TYPE	CODE	QUANTITY PER PALLET	ELECTRICAL COMPONENTS		NOTE
			ASSEMBLED	NOT ASSEMBLED	
SINGLE PACK	A	33	X	√	
	F	33	X	√	CSR electrical box included
MULTIPLE PACK	C	36	X	√	Electrical components and accessories delivered separately
	Y	28	√	X	

F / EG / VEG / VEM / VES					
PACKAGING TYPE	CODE	QUANTITY PER PALLET	ELECTRICAL COMPONENTS		NOTE
			ASSEMBLED	NOT ASSEMBLED	
MULTIPLE PACK	F / EG / VEG	72	√	X	
		80	X	√	
	VEM	100	√	√	
	VES	120	√	√	

IDENTIFICATION LABEL

EM / NE / NJ / NT / VNE

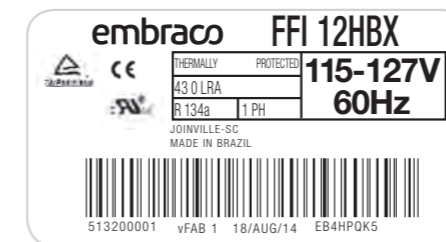
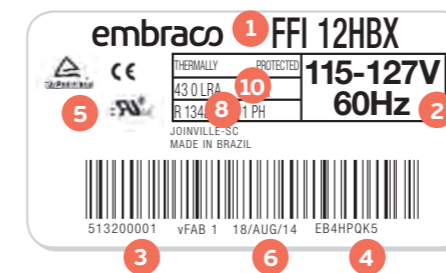


- 1 Compressor model
- 2 Supply Voltage
- 3 Bill of Materials code
- 4 Serial Number
- 5 Agency Approval Marks
- 6 Date code or Production date
- 7 Oil type and quantity
- 8 Refrigerant type
- 9 Current Consumption (Rated Load Amperage, when applicable)
- 10 Locked Rotor Amperage (when applicable)

EM / EG / F / VEM / VEG / VES

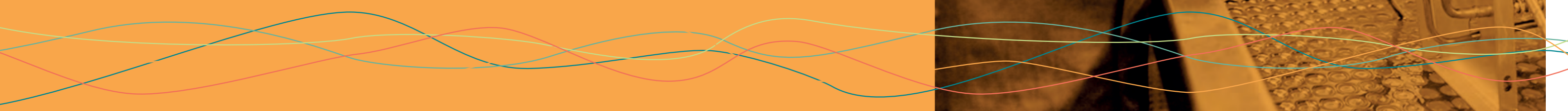


- 1 Compressor model
- 2 Supply Voltage
- 3 Bill of Materials code
- 4 Serial Number
- 5 Agency Approval Marks
- 6 Date code or Production date
- 7 Oil type and quantity
- 8 Refrigerant type
- 9 Current Consumption (Rated Load Amperage, when applicable)
- 10 Locked Rotor Amperage (when applicable)



- 1 Compressor model
- 2 Supply Voltage
- 3 Bill of Materials code
- 4 Serial Number
- 5 Agency Approval Marks
- 6 Date code or Production date
- 8 Refrigerant type
- 10 Locked Rotor Amperage (when applicable)

GENERAL DATA &
PERFORMANCE



FULLMOTION INVERTER

R134a • LBP - L/MBP - L/M/HBP • 50 - 60Hz - BR portfolio

MODEL	DISPL. cm ³	VOLTAGE/FREQUENCY	MOTOR TYPE	TORQUE	APPL.	RATED POINT ASHRAE -23,3 °C / 54,4 °C		SPEED RANGE RPM	WEIGHT kg	MAX HEIGHT A mm	LRA A	COOL. TYPE	FAN AIR FLOW m ³ /h	OIL CHARGE cm ³	OIL TYPE	EXP. DEVICE	DRAWINGS		INVERTER			MODEL	
						CAPACITY RANGE W	EFFICIENCY RANGE W/W										EXTERNAL VIEW REF.	WIRING DIAGRAM REF.	INPUT VOLTAGE & FREQUENCY V Hz	MODEL	OUTPUT POWER W		CONTROL MODE
VEMY3H	3,00	230 V 53-150 Hz 3 ~	BPM	LST	LBP	41-126	1,45-1,48	1600-4500	7,5	180	2,1	S	-	220	POE10	C	DWG23	CON01-02-03-04-05	220-240V 50/60Hz	VCC3	200	Drop-in, Frequency	VEMY3H
VEMY3HM	3,00	12-24V / DC	BPM	LST	L/M/HBP	40-121	1,22-1,30	1600-4500	7,5	180	7,7	S	-	350	POE10	C	DWG23	CON01-02-03-04-05	24V / DC	24V DC	320	Drop-in	VEMY3HM
VEMY4H	3,97	230 V 53-150 Hz 3 ~	BPM	LST	LBP	63-170	1,64-1,55	1600-4500	7,5	180	2,1	S	-	220	POE10	C	DWG23	CON01-02-03-04-05	220-240V 50/60Hz	VCC3	200	Drop-in, Frequency	VEMY4H
VEMY4HM	3,97	12-24V / DC	BPM	LST	L/M/HBP	280-719	2,88-2,26	1600-4500	7,7	180	7,7	F	520	350	POE10	C	DWG23	CON01-02-03-04-05	24V / DC	24V DC	320	Drop-in	VEMY4HM
VEMY5H	4,99	230 V 53-150 Hz 3 ~	BPM	LST	LBP	84-206	1,72-1,6	1600-4500	7,5	180	2,1	S	-	220	POE10	C	DWG23	CON01-02-03-04-05	220-240V 50/60Hz	VCC3	200	Drop-in, Frequency	VEMY5H
VEMY6HH	5,72	230 V 53-150 Hz 3 ~	BPM	LST	L/M/HBP	100-231	1,66-1,61	1600-4500	7,5	180	2,1	F	520	220	POE10	C	DWG23	CON01-02-03-04-05	220-240V 50/60Hz	VCC3-CO	320	Drop-in, Serial, Frequency	VEMY6HH
VEGT7H	7,15	230 V 53-150 Hz 3 ~	BPM	LST	LBP	101-290	1,57-1,53	1600-4500	11,13	180	3,3	S	-	430	POE10	C	DWG09	CON01-02-03-10-11	220-240V 50/60Hz	VCC3	200	Drop-in, Frequency	VEGT7H
VEGT8HB	7,95	230 V 53-150 Hz 3 ~	BPM	LST	L/MBP	137-340	1,72-1,64	1600-4500	10,77	180	3,3	F	520	430	POE10	C	DWG09	CON01-02-03-10-11	220-240V 50/60Hz	VCC3-CO	320	Drop-in, Frequency	VEGT8HB
VEGT11HB	10,61	230 V 60-150 Hz 3 ~	BPM	LST	L/MBP	191-429	1,67-1,54	1800-4500	10	180	3,3	F	520	430	POE10	C	DWG09	CON01-02-03-10-11	220-240V 50/60Hz	VCC3-CO	320	Drop-in, Frequency	VEGT11HB

R134a • HBP • 50 - 60Hz - EU portfolio

MODEL	DISPL. cm ³	VOLTAGE/FREQUENCY	MOTOR TYPE	TORQUE	APPL.	RATED POINT EN12900 5 °C / 50 °C		SPEED RANGE RPM	WEIGHT kg	MAX HEIGHT A mm	LRA A	COOL. TYPE	FAN AIR FLOW m ³ /h	OIL CHARGE cm ³	OIL TYPE	EXP. DEVICE	DRAWINGS		INVERTER			MODEL	
						CAPACITY RANGE W	EFFICIENCY RANGE W/W										EXTERNAL VIEW REF.	WIRING DIAGRAM REF.	INPUT VOLTAGE & FREQUENCY V Hz	MODEL	OUTPUT POWER W		CONTROL MODE
VNEK610Z	10,0	220-240V 50/60Hz 1 ~	BPM	HST	HBP	630-1231	2,55-2,07	2000-4500	11,6	206	-	F	520	500	POE 22	C/V	DWG04	CON07-08-09	220-240V 50/60Hz	HP	800	Drop-in, Serial, Frequency	VNEK610Z
VNEK614Z	14,3	220-240V 50/60Hz 1 ~	BPM	HST	HBP	905-1637	2,46-1,9	2000-4500	11,6	206	-	F	520	500	POE 22	C/V	DWG04	CON07-08-09	220-240V 50/60Hz	HP	1000	Drop-in, Serial, Frequency	VNEK614Z

R404A/R507/R452A • LBP • 50 - 60Hz - EU portfolio

MODEL	DISPL. cm ³	VOLTAGE/FREQUENCY	MOTOR TYPE	TORQUE	APPL.	RATED POINT EN12900 -35 °C / 40 °C		SPEED RANGE RPM	WEIGHT kg	MAX HEIGHT A mm	LRA A	COOL. TYPE	FAN AIR FLOW m ³ /h	OIL CHARGE cm ³	OIL TYPE	EXP. DEVICE	DRAWINGS		INVERTER			MODEL	
						CAPACITY RANGE W	EFFICIENCY RANGE W/W										EXTERNAL VIEW REF.	WIRING DIAGRAM REF.	INPUT VOLTAGE & FREQUENCY V Hz	MODEL	OUTPUT POWER W		CONTROL MODE
VNEK206GK	6,20	220-240V 50/60Hz 1 ~	BPM	HST	LBP	126-262	0,99-0,93	2000-4500	11,6	206	-	F	520	500	POE 22	C/V	DWG04	CON07-08-09	220-240V 50/60Hz	HP	500	Drop-in, Serial, Frequency	VNEK206GK
VNEK212GK	12,12	220-240V 50/60Hz 1 ~	BPM	HST	LBP	245-465	1,11-1,01	2000-4500	11,6	206	-	F	520	500	POE 22	C/V	DWG04	CON07-08-09	220-240V 50/60Hz	HP	1000	Drop-in, Serial, Frequency	VNEK212GK

R404A/R507/R452A • MBP • 50 - 60Hz - EU portfolio

MODEL	DISPL. cm ³	VOLTAGE/FREQUENCY	MOTOR TYPE	TORQUE	APPL.	RATED POINT EN12900 -10 °C / 45 °C		SPEED RANGE RPM	WEIGHT kg	MAX HEIGHT A mm	LRA A	COOL. TYPE	FAN AIR FLOW m ³ /h	OIL CHARGE cm ³	OIL TYPE	EXP. DEVICE	DRAWINGS		INVERTER			MODEL	
						CAPACITY RANGE W	EFFICIENCY RANGE W/W										EXTERNAL VIEW REF.	WIRING DIAGRAM REF.	INPUT VOLTAGE & FREQUENCY V Hz	MODEL	OUTPUT POWER W		CONTROL MODE
VNEK606GK	6,20	220-240V 50/60Hz 1 ~	BPM	HST	MBP	380-801	1,78-1,55	2000-4500	11,6	206	-	F	520	500	POE 22	C/V	DWG04	CON07-08-09	220-240V 50/60Hz	HP	800	Drop-in, Serial, Frequency	VNEK606GK
VNEK609GK	8,78	220-240V 50/60Hz 1 ~	BPM	HST	MBP	534-1084	1,83-1,64	2000-4500	11,6	206	-	F	520	500	POE 22	C/V	DWG04	CON07-08-09	220-240V 50/60Hz	HP	1000	Drop-in, Serial, Frequency	VNEK609GK

FULLMOTION INVERTER

R290 • LBP • 50 - 60Hz - EU portfolio

MODEL	DISPL. cm³	VOLTAGE/FREQUENCY	MOTOR TYPE	TORQUE	APPL.	RATED POINT EN12900 -35 °C / 40 °C		SPEED RANGE RPM	WEIGHT kg	MAX HEIGHT A mm	LRA A	COOL. TYPE	FAN AIR FLOW m³/h	OIL CHARGE cm³	OIL TYPE	EXP. DEVICE	DRAWINGS		INVERTER			MODEL	
						CAPACITY RANGE W	EFFICIENCY RANGE W/W										EXTERNAL VIEW REF.	WIRING DIAGRAM REF.	INPUT VOLTAGE & FREQUENCY V Hz	MODEL	OUTPUT POWER W		CONTROL MODE
VNEK207U	7,30	220-240V 50/60Hz 1 ~	BPM	HST	LBP	131-286	1,14-1,05	2000-4500	11,6	206	-	F	520	500	POE 22	C/V	DWG04	CON07-08-09	220-240V 50/60Hz	HP	500	Drop-in, Serial, Frequency	VNEK207U
VNEK213U	13,54	220-240V 50/60Hz 1 ~	BPM	HST	LBP	255-525	1,25-1,14	2000-4500	11,6	206	-	F	520	500	POE 22	C/V	DWG04	CON07-08-09	220-240V 50/60Hz	HP	800	Drop-in, Serial, Frequency	VNEK213U
VNEU213U	13,54	220-240V 50/60Hz 1 ~	BPM	HST	LBP	262-574	1,28-1,22	2000-4500	11,4	206	-	F	520	500	POE 22	C/V	DWG04	CON07-08-09	220-240V 50/60Hz	HP	800	Drop-in, Serial, Frequency	VNEU213U
VNEU217U	16,80	220-240V 50/60Hz 1 ~	BPM	HST	LBP	346-699	1,29-1,20	2000-4500	11,4	206	-	F	520	500	POE 22	C/V	DWG04	CON07-08-09	220-240V 50/60Hz	HP	1000	Drop-in, Serial, Frequency	VNEU217U

R290 • L/MBP • 50 - 60 Hz - BR portfolio

MODEL	DISPL. cm³	VOLTAGE/FREQUENCY	MOTOR TYPE	TORQUE	APPL.	RATED POINT ASHRAE -23,3 °C / 54,4 °C		SPEED RANGE RPM	WEIGHT kg	MAX HEIGHT A mm	LRA A	COOL. TYPE	FAN AIR FLOW m³/h	OIL CHARGE cm³	OIL TYPE	EXP. DEVICE	DRAWINGS		INVERTER			MODEL	
						CAPACITY RANGE W	EFFICIENCY RANGE W/W										EXTERNAL VIEW REF.	WIRING DIAGRAM REF.	INPUT VOLTAGE & FREQUENCY V Hz	MODEL	OUTPUT POWER W		CONTROL MODE
VEGT8U	7,95	230V/ 53-150Hz	BPM	LST	L/MBP	235-612	1,71-1,66	1800-4500	10	200	3,3	F	520	430	AB 32	C	DWG09	CON01-02-03-10-11	220-240V 50/60Hz 100-127V 50/60Hz	HP MP2	1000 500	Drop-in, Serial, Frequency Drop-in, Serial, Frequency	VEGT8U

R600a • LBP - L/MBP • 50 - 60Hz - EU portfolio

MODEL	DISPL. cm³	VOLTAGE/FREQUENCY	MOTOR TYPE	TORQUE	APPL.	RATED POINT ASHRAE -23,3 °C / 54,4 °C		RATED POINT CECOMAF -25 °C / 55 °C		SYSTEM CONDITIONS -25 °C / 40 °C		SPEED RANGE RPM	WEIGHT kg	MAX HEIGHT A mm	LRA A	COOL. TYPE	FAN AIR FLOW m³/h	OIL CHARGE cm³	OIL TYPE	EXP. DEVICE	DRAWINGS		INVERTER			MODEL	
						CAPACITY RANGE W	EFFICIENCY RANGE W/W	CAPACITY RANGE W	EFFICIENCY RANGE W/W	CAPACITY RANGE W	EFFICIENCY RANGE W/W										EXTERNAL VIEW REF.	WIRING DIAGRAM REF.	INPUT VOLTAGE & FREQUENCY V Hz	MODEL	OUTPUT POWER W		CONTROL MODE
VESD3C	2,98	230 V 40-150 Hz 3 ~	BPM	LST	LBP	8-44	1,18-1,27	6-26	0,96-1,05	18-68	1,91-1,75	1300-4500	6,0	135	2,1	S	-	200	AB 5	C	DWG22	CON04-05-06	220-240V 50/60Hz	VES	200	Drop-in, Serial, Frequency	VESD3C
VESA5C	5,19	230 V 40-150 Hz 3 ~	BPM	LST	L/MBP	33-117	1,69-1,65	24-86	1,33-1,28	76-265 (*)	2,99-2,75 (*)	1300-4500	6,1	135	2,1	S	-	200	AB 5	C	DWG22	CON04-05-06	220-240V 50/60Hz	VES	200	Drop-in, Frequency	VESA5C
VESD5C	5,19	230 V 40-150 Hz 3 ~	BPM	LST	L/MBP	34-126	1,77-1,73	25-93	1,37-1,35	76-270 (*)	3,19-2,85 (*)	1300-4500	6,5	135	2,1	S	-	190	AB 5	C	DWG22	CON04-05-06	220-240V 50/60Hz	VES	200	Drop-in, Serial, Frequency	VESD5C
VESA7C	7,23	230 V 40-150 Hz 3 ~	BPM	LST	LBP	47-179	1,65-1,78	34-133	1,29-1,39	52-185	2,10-2,00	1300-4500	6,0	135	2,1	S	-	200	AB 5	C	DWG22	CON04-05-06	220-240V 50/60Hz	VES	200	Drop-in, Frequency	VESA7C
VESD7C	7,23	230 V 40-150 Hz 3 ~	BPM	LST	LBP	49-184	1,82-1,86	36-138	1,42-1,47	52-185	2,20-2,04	1300-4500	6,8	135	2,1	S	-	190	AB 5	C	DWG22	CON04-05-06	220-240V 50/60Hz	VES	200	Drop-in, Serial, Frequency	VESD7C
VESA9C	9,04	230 V 40-150 Hz 3 ~	BPM	LST	LBP	66-223	1,73-1,71	49-168	1,38-1,35	69-225	2,06-1,91	1300-4500	6,0	135	2,1	S	-	200	AB 5	C	DWG22	CON04-05-06	220-240V 50/60Hz	VES	200	Drop-in, Frequency	VESA9C
VESC9C	9,04	230 V 40-150 Hz 3 ~	BPM	LST	LBP	66-230	1,80-1,76	49-174	1,41-1,39	69-225	2,18-1,95	1300-4500	6,5	135	2,1	S	-	190	AB 5	C	DWG22	CON04-05-06	220-240V 50/60Hz	VES	200	Drop-in, Serial, Frequency	VESC9C
VESD9C	9,04	230 V 40-150 Hz 3 ~	BPM	LST	LBP	66-230	1,86-1,79	49-174	1,46-1,41	69-225	2,24-1,99	1300-4500	6,8	135	2,1	S	-	190	AB 5	C	DWG22	CON04-05-06	220-240V 50/60Hz	VES	200	Drop-in, Serial, Frequency	VESD9C
VESC11C	11,14	230 V 40-150 Hz 3 ~	BPM	LST	LBP	86-276	1,89-1,76	64-209	1,49-1,38	88-269	2,22-1,91	1300-4500	6,5	135	2,1	S	-	190	AB 5	C	DWG22	CON04-05-06	220-240V 50/60Hz	VES	200	Drop-in, Serial, Frequency	VESC11C
VESD11C	11,14	230 V 40-150 Hz 3 ~	BPM	LST	LBP	86-276	1,93-1,78	64-209	1,52-1,41	88-269	2,27-1,94	1300-4500	6,8	135	2,1	S	-	190	AB 5	C	DWG22	CON04-05-06	220-240V 50/60Hz	VES	200	Drop-in, Serial, Frequency	VESD11C

(*) -10 °C / 40 °C

R600a • LBP • 50 - 60Hz - BR portfolio

MODEL	DISPL. cm³	VOLTAGE/FREQUENCY	MOTOR TYPE	TORQUE	APPL.	RATED POINT ASHRAE -23,3 °C / 54,4 °C		RATED POINT CECOMAF -25 °C / 55 °C		SYSTEM CONDITIONS -25 °C / 40 °C		SPEED RANGE RPM	WEIGHT kg	MAX HEIGHT A mm	LRA A	COOL. TYPE	FAN AIR FLOW m³/h	OIL CHARGE cm³	OIL TYPE	EXP. DEVICE	DRAWINGS		INVERTER			MODEL	
						CAPACITY RANGE W	EFFICIENCY RANGE W/W	CAPACITY RANGE W	EFFICIENCY RANGE W/W	CAPACITY RANGE W	EFFICIENCY RANGE W/W										EXTERNAL VIEW REF.	WIRING DIAGRAM REF.	INPUT VOLTAGE & FREQUENCY V Hz	MODEL	OUTPUT POWER W		CONTROL MODE
VEMZ5C	4,99	230 V 53-150 Hz 3 ~	BPM	LST	LBP	42 - 129	1,61 - 1,66	33 - 93	1,30 - 1,28	91 - 248 (*)	2,76 - 2,70 (*)	1600-4500	7,6	158	2,1	S	-	220	AB 5	C	DWG23	CON01-02-03-04-05-06	220-240V 50/60Hz	VCC3	200	Drop-in, Frequency	VEMZ5C
VEMX5C	5,19	230 V 40-150 Hz 3 ~	BPM	LST	LBP	31-135	1,5-1,69	24-101	1,21-1,34	73-264 (*)	3,00 - 2,73 (*)	1200-4500	7,6	158	2,1	S	-	220	AB 5	C	DWG23	CON01-02-03-04-05-06	220-240V 50/60Hz	VCC3	200	Drop-in, Frequency	VEMX5C
VEMC5C	5,19	230 V 40-150 Hz 3 ~	BPM	LST	LBP	30-105	1,56 - 1,58	21 - 86	1,13 - 1,38	72-260 (*)	3,05 - 2,95 (*)	1200-4500	7,8	166	2,1	S	-	210	AB 5	C	DWG23	CON01-02-03-04-05-06	220-240V 50/60Hz	VCC3	200	Drop-in, Frequency	VEMC5C
VEMY7C	7,23	230 V 53-150 Hz 3 ~	BPM	LST	LBP	71-175	1,68-1,59	54-150	1,35-1,27	67 - 182	1,93 - 1,84	1600-4500	7,6	158	2,1	S	-	220	MIN 10	C	DWG23	CON01-02-03-04-05-06	220-240V 50/60Hz	VCC3	200	Drop-in, Frequency	VEMY7C
VEMZ7C	7,23	230 V 53-150 Hz 3 ~	BPM	LST	LBP	71-182	1,78-1,74	54-137	1,41-1,37	68 - 191	1,98 - 1,87	1600-4500	7,6	158	2,1	S	-	220	AB 5	C	DWG23	CON01-02-03-04-05-06	220-240V 50/60Hz	VCC3	200	Drop-in, Frequency	VEMZ7C
VEMX7C	7,23	230 V 40-150 Hz 3 ~	BPM	LST	LBP	45-178	1,61 - 1,81	33 - 134	1,25 - 1,43	48 - 181	1,99 - 2,02	1200-4500	7,6	158	2,1	S	-	220	AB 5	C	DWG23	CON01-02-03-04-05-06	220-240V 50/60Hz	VCC3	200	Drop-in, Frequency	VEMX7C
VEMC7C	7,23	230 V 40-150 Hz 3 ~	BPM	LST	LBP	46-168	1,78 - 1,81	34 - 127	1,39 - 1,43	49 - 179	2,14 - 2,07	1200-4500	7,8	166	2,1	S	-	210	AB 5	C	DWG23	CON01-02-03-04-05-06	220-240V 50/60Hz	VCC3	200	Drop-in, Frequency	VEMC7C
VEMX9C	9,04	230 V 40-150 Hz 3 ~	BPM	LST	LBP	64 - 222	1,71 - 1,85	47 - 168	1,33 - 1,46	63-231	2,05 - 2,05	1200-4500	7,6	158	2,1	S	-	220	AB 5	C	DWG23	CON01-02-03-04-05-06	220-240V 50/60Hz	VCC3	200	Drop-in, Frequency	VEMX9C
VEMC9C	9,04	230 V 40-150 Hz 3 ~	BPM	LST	LBP	62-214	1,89 - 1,87	47 - 162	1,43 - 1,45	63 - 226	2,15 - 2,14	1200-4500	7,8	166	2,1	S	-	210	AB 5	C	DWG23	CON01-02-03-04-05-06	220-240V 50/60Hz	VCC3	200	Drop-in, Frequency	VEMC9C
VEMZ9C	9,34	230 V 53-150 Hz 3 ~	BPM	LST	LBP	97-227	1,82-1,68	72-171	1,43-1,32	90 - 245	2,07 - 1,90	1600-4500	7,6	158	2,1	S	-	220	AB 5	C	DWG23	CON01-02-03-04-05-06	220-240V 50/60Hz	VCC3	200	Drop-in, Frequency	VEMZ9C
VEGZ11C	11,14	230 V 53-133 Hz 3 ~	BPM	LST	LBP	112-284	1,86-1,81	-	-	-	-	1600-4000	11	201	3,3	S	-	430	AB 5	C	DWG09	CON01-02-03	220-240V 50/60Hz	VCC3	200	Drop-in, Frequency	VEGZ11C

Note: Inverter available at 220-240V/50-60Hz - 115-127V/50-60 Hz
(*) -10 °C / 40 °C

R134a • LBP - L/MBP • 50Hz - EU portfolio

MODEL	DISPL. cm ³	HP	VOLTAGE/FREQUENCY	MOTOR TYPE	TORQUE	APPL.	RATED POINT ASHRAE -23,3 °C / 54,4 °C		RATED POINT EN12900 -35 °C / 40 °C		COOLING CAPACITY EN12900						WEIGHT kg	MAX HEIGHT A mm	LRA A	COOL. TYPE	FAN AIR FLOW m ³ /h	OIL CHARGE cm ³	OIL TYPE	EXP. DEVICE	DRAWINGS		MODEL	
							CAPACITY W	EFFICIENCY W/W	CAPACITY W	EFFICIENCY W/W	COND. TEMP. °C	EVAPORATING TEMPERATURE °C													EXTERNAL VIEW REF.	WIRING DIAGRAM REF.		
												-30	-25	-20	-15	-10												-5
EMT22HLP	3,01	1/12	220-240V 50Hz 1 ~	RSIR/RSCR	LST	LBP	75	1,19	37	0,83	55	-	54	75	98	125	152	7,1	158	3,0	S	-	180	POE 22	C	DWG01	SM00-SM01	EMT22HLP
EMT36HLP	3,97	1/10	220-240V 50Hz 1 ~	RSIR/RSCR	LST	LBP	108	1,27	54	0,99	55	-	79	105	137	174	217	7,5	166	3,8	S	-	180	POE 22	C	DWG01	SM00-SM01	EMT36HLP
EMT43HLP	4,85	1/8	220-240V 50Hz 1 ~	RSIR/RSCR	LST	LBP	132	1,30	66	0,91	55	-	96	127	164	207	252	7,5	166	4,7	S	-	180	POE 22	C	DWG01	SM00-SM01	EMT43HLP
EMY3115Z	6,09	1/6	220-240V 50Hz 1 ~	RSIR/RSCR	LST	L/MBP	173	1,50	-	-	55	UD	UD	UD	UD	UD	UD	7,6	171	UD	F	270	150	POE 10	C	DWG01	SM00-SM01	EMY3115Z
EMT49HLP	5,57	1/6	220-240V 50Hz 1 ~	RSIR/RSCR	LST	LBP	151	1,33	78	1,16	55	-	110	144	186	235	292	7,7	166	4,8	S	-	180	POE 22	C	DWG01	SM00-SM01	EMT49HLP
EMT60HLP	6,76	1/6	220-240V 50Hz 1 ~	RSIR/RSCR	LST	LBP	177	1,17	88	0,88	55	-	131	175	228	290	359	7,6	166	6,2	S	-	180	POE 22	C	DWG01	SM00-SM01	EMT60HLP
NEK1116Z	7,40	1/5	220-240V 50Hz 1 ~	RSIR/RSCR	LST	LBP	194	1,44	93	1,12	55	-	141	262	245	312	390	10,8	200	14,0	S	-	350	POE 22	C	DWG02	SM00	NEK1116Z
NEK2116Z	7,40	1/5	220-240V 50Hz 1 ~	CSIR	HST	LBP	187	1,22	93	0,89	55	-	136	184	241	305	378	10,4	187	10,0	S	-	350	POE 22	C	DWG03	SM05	NEK2116Z
NEK1118Z	8,40	1/4	220-240V 50Hz 1 ~	RSIR/RSCR	LST	LBP	224	1,43	111	1,08	55	-	163	217	283	357	446	10,7	200	16,0	S	-	350	POE 22	C	DWG02	SM00	NEK1118Z
NE1121Z	9,27	1/4	220-240V 50Hz 1 ~	RSIR	LST	LBP	253	1,28	125	0,89	55	-	186	246	319	403	500	10,9	200	16,5	F	520	350	POE 22	C	DWG03	SM03	NE1121Z
NE1121Z	9,27	1/4	200-220V 50HZ / 230V 60HZ 1 ~	RSIR	LST	LBP	253	1,28	126	0,93	55	-	217	288	373	472	584	10,9	200	18,0	F	520	350	POE 22	C	DWG03	SM03	NE1121Z
NE2121Z	9,27	1/4	220-240V 50Hz 1 ~	CSIR	HST	LBP	250	1,23	124	0,86	55	-	183	245	317	403	500	10,9	200	12,6	F	520	350	POE 22	C/V	DWG03	SM05	NE2121Z
NE2121Z	9,27	1/4	200-220V 50HZ / 230V 60HZ 1 ~	CSIR	HST	LBP	253	1,28	126	0,90	55	-	186	246	319	403	500	10,9	200	15,0	F	520	350	POE 22	C/V	DWG03	SM05	NE2121Z
EMY3125Z	10,61	-	220-240V 50Hz 1 ~	RSIR	LST	L/MBP	UD	UD	UD	UD	55	UD	UD	UD	UD	UD	UD	UD	UD	UD	F	270	150	POE 10	C	DWG01	SM00	EMY3125Z
NE1130Z	12,12	1/3	220-240V 50Hz 1 ~	RSIR	LST	LBP	323	1,32	161	0,85	55	-	238	313	402	506	624	10,9	200	16,3	F	520	350	POE 22	C	DWG03	SM03	NE1130Z
NE1130Z	12,12	1/3	200-220V 50HZ / 230V 60HZ 1 ~	RSIR	LST	LBP	323	1,24	161	0,86	55	-	238	313	402	506	624	10,9	200	22,0	F	520	350	POE 22	C	DWG03	SM03	NE1130Z
NE2130Z	12,12	1/3	200-220V 50HZ / 230V 60HZ 1 ~	CSIR	HST	LBP	314	1,22	156	0,85	55	-	230	305	391	490	601	11,6	200	17,0	F	520	350	POE 22	C/V	DWG03	SM05	NE2130Z
NE2130Z	12,12	1/3	220-240V 50Hz 1 ~	CSIR	HST	LBP	343	1,32	171	0,85	55	-	255	332	426	536	660	10,9	200	13,2	F	520	350	POE 22	C/V	DWG03	SM05	NE2130Z
NE2130Z	12,12	1/3	100V 50/60HZ 1 ~	CSIR	HST	LBP	323	1,20	161	1,16	55	-	230	305	391	490	601	10,9	200	32,0	F	520	350	POE 22	C/V	DWG03	SM05	NE2130Z
NEU4130Z	12,12	1/3	220-240V 50Hz 1 ~	CSIR	HST	L/MBP	346	1,31	172	0,96	55	-	-	-	-	-	-	10,0	187	13,0	F	520	350	POE 22	C/V	DWG03	SM05	NEU4130Z
NE2134Z	14,30	1/3	220-240V 50Hz 1 ~	CSIR	HST	LBP	359	1,23	179	0,90	55	-	267	351	453	571	711	11,6	206	17,0	F	520	350	POE 22	C/V	DWG03	SM05	NE2134Z
NEK2140Z	16,80	1/2	220-240V 50Hz 1 ~	CSIR	HST	LBP	437	1,28	217	1,02	55	-	319	421	543	686	820	11,6	206	17,0	F	520	350	POE 22	C/V	DWG03	SM05	NEK2140Z

Note: Return gas temperature in EN12900 conditions for EM and NE series is 32°C for NT and NJ series is 20°C

R134a • LBP - L/MBP - L/M/HBP • 50Hz - BR portfolio

MODEL	DISPL. cm ³	HP	VOLTAGE/FREQUENCY	MOTOR TYPE	TORQUE	APPL.	RATED POINT ASHRAE -23,3 °C / 54,4 °C		COOLING CAPACITY ASHRAE LBP										WEIGHT kg	MAX HEIGHT A mm	LRA A	COOL. TYPE	FAN AIR FLOW m ³ /h	OIL CHARGE cm ³	OIL TYPE	EXP. DEVICE	DRAWINGS		MODEL	
							CAPACITY W	EFFICIENCY W/W	COND. TEMP. °C	EVAPORATING TEMPERATURE °C W																	EXTERNAL VIEW REF.	WIRING DIAGRAM REF.		
										-35	-30	-25	-20	-15	-10	-5	0													
EM20HHR	2,27	1/12	220-240V 50/60Hz 1 ~	RSIR/CSIR	LST	L/M/HBP	50	0,86	55	17	28	42	59	80	105	135	170	6,8	158	6,5	S/F	520	160	POE 22	C	DWG10	SM07	EM20HHR		
EMIE30HER	2,83	1/12	220-240V 50/60Hz 1 ~	RSIR/CSIR	LST	L/MBP	73	1,16	55	26	44	65	90	120	155	196	-	7,2	158	7,0	S/F	520	180	POE 10	C	DWG10	SM07	EMIE30HER		
EMIS30HHR	3,00	1/12	220V 50/60Hz 1 ~	RSIR/CSIR	LST	L/M/HBP	79	0,93	55	27	46	69	95	126	163	207	260	6,8	158	9,0	S/F	520	160	POE 22	C	DWG10	SM07	EMIS30HHR		
EMIE40HJP	3,40	1/10	220V 50/60Hz 1 ~	RSIR	LST	LBP	95	1,15	55	40	65	97	132	166	196	-	-	6,6	158	4,2	S	-	180	POE 10	C	DWG10	SM07	EMIE40HJP		
EMI45HER	3,77	1/10	220-240V 50/60Hz 1 ~	RSIR/CSIR	LST	LBP	100	1,21	55	43	66	92	123	161	208	-	-	7,7	167	10,0	S	-	160	POE 22	C	DWG10	SM07	EMI45HER		
EM45HHR	3,77	1/10	220-240V 50Hz 1 ~	RSIR/CSIR	LST	L/M/HBP	102	1,03	55	43	62	86	117	155	201	256	321	7,7	171	9,0	S/F	520	160	POE 22	C	DWG10	SM07	EM45HHR		
EM50HNP	4,99	1/8	220-240V 50Hz 1 ~	RSIR/RSCR	LST	LBP	126	1,22	55	45	75	109	149	197	256	-	-	7,7	167	10,0	S	-	160	POE 22	C	DWG10	SM07	EM50HNP		
EMIE65HER	5,19	1/6	220-240V 50/60Hz 1 ~	RSIR/CSIR	LST	LBP	149	1,22	55	71	100	136	179	231	290	-	-	8,3	166	12,5	S/F	520	180	POE 10	C	DWG10	SM07	EMIE65HER		
EGAS70HLR	5,56	1/6	220-240V 50/60Hz 1 ~	RSIR/CSIR	LST	LBP	164	1,47	55	68	102	147	202	265	337	-	-	10,4	195	14,4	S	-	230	POE 10	C	DWG09	SM09	EGAS70HLR		
EMI70HER	5,89	1/6	220V 50Hz 1 ~	RSIR/CSIR	LST	LBP	166	1,18	55	71	100	136	179	231	290	-	-	8,3	166	12,5	S	-	180	POE 22	C	DWG10	SM07	EMI70HER		
EMU65HLP	5,96	1/5	200-230V 50Hz 1 ~	RSIR	LST	LBP	187	1,45	55	92	127	169	219	278	345	-	-	7,9	166	7,5	S	-	180	POE 22	C	DWG10	SM07	EMU65HLP		
EMYE70HEP	5,96	1/6	220-240V 50/60Hz 1 ~	RSIR	LST	LBP	168	1,43	55	92	127	169	219	278	345	-	-	7,9	166	7,5	S	-	180	POE 10	C	DWG10	SM07	EMYE70HEP		
EGAS80HLR	6,36	1/5	220-240V 50/60Hz 1 ~	RSIR/CSIR	LST	LBP	189	1,54	55	80	125	173	228	293	372	-	-	10,0	195	14,5	S/F	520	230	POE 10	C	DWG09	SM09	EGAS80HLR		
FFU70HAK	6,36	1/5	220-240V 50/60Hz 1 ~	RSIR/CSIR	LST	L/MBP	185	1,43	55	80	119	166	224	293	375	471	-	10,7	201	12,8	S/F	520	280	POE 10	C	DWG09	SM08	FFU70HAK		
FFUS70HAK	6,36	1/5	220-240V 50/60Hz 1 ~	RSIR/CSIR	LST	L/MBP	191	1,42	55	77	124	170	222	285	363	462	587	10,2	201	14,5	S/F	520	230	POE 10	C	DWG09	SM08	FFUS70HAK		
FFUS80HAK	6,76	1/5	220-240V 50/60Hz 1 ~	RSIR/CSIR	LST	L/MBP	201	1,37	55	95	133	183	244	319	407	509	626	10,0	201	14,5	S/F	520	230	POE 10	C	DWG09	SM08	FFUS80HAK		
FF7,5HBK	6,92	1/6	220-240V 50/60Hz 1 ~	RSIR/CSIR	LST	L/M/HBP	154	1,00	55	71	106	149	202	263	341	431	537	10,7	195	16,7	S	-	280	POE 22	C	DWG09	SM08	FF7,5HBK		
EGAS90HLR	7,15	1/4	220-240V 50/60Hz 1 ~	RSIR/CSIR	LST	LBP	219	1,50	55	97	144	198	261	336	426	-	-	10,5	195	14,3	S	-	230	POE 10	C	DWG09	SM09	EGAS90HLR		
EGAS100HLP	7,95	1/4	220-240V 50Hz 1 ~	RSIR/RSCR	LST	LBP	241	1,58	55	108	157	222	304	402	514	-	-	11,0	201	8,5	S	-	230	POE 10	C	DWG09	SM09	EGAS100HLP		
EGAS100HLR	7,95	1/4	220-240V 50/60Hz 1 ~	RSIR/CSIR	LST	LBP	251	1,52	55	108	164	226	299	384	485	-	-	11,0	201	16,9	F	520	230	POE 10	C	DWG09	SM09	EGAS100HLR		
FFUS100HAK	7,95	1/4	220-240V 50Hz 1 ~	RSIR/CSIR	LST	L/MBP	248	1,43	55	123	167	226	302	393	500	623	763	10,6	201	17,6	S/F	520	350	POE 10	C	DWG09	SM08	FFUS100HAK		
FF8,5HBK	7,95	1/5	220-240V 50Hz 1 ~	RSIR/CSIR	LST	L/M/HBP	194	1,11	55	82	119	168	230	306	398	506	632	10,8	195	18,2	S/F	520	280	POE 22	C	DWG09	SM08	FF8,5HBK		
FF10HAK	9,04	1/4	220-230V 50/60Hz 1 ~	RSIR/CSIR	LST	L/MBP	249	1,30	55	106	154	220	302	400	512	636	-	10,9	201	18,0	S/F	520	280	POE 22	C	DWG09	SM08	FF10HAK		
EGU130HLR	10,61	1/3	220-240V 50Hz 1 ~	RSIR/CSIR	LST	LBP	313	1,50	55	141	211	288	378	489	626	-	-	10,8	201	17,5	F	520	230	POE 10	C	DWG09	SM09	EGU130HLR		
FFU130HAX	10,61	1/3	220-240V 50Hz 1 ~	CSIR	LST/HST	L/MBP	309	1,38	55	132	203	280	370	477	607	764	-	11,3	201	17,5	F	520	280	POE 10	C/V	DWG09	SM08	FFU130HAX		
FFI12HBK	11,14	1/3	220-240V 50Hz 1 ~	RSIR/CSIR	LST	L/M/HBP	319	1,25	55	152	210	287	382	498	633	790	968	11,5	201	20,0	F	520	280	POE 22	C	DWG09	SM08	FFI12HBK		
FFU160HAX	12,92	1/3	220-240V 50Hz 1 ~	CSIR	LST/HST	L/MBP	374	1,42	55	188	268	356	460	584	736	918	1139	10,8	201	17,7	F	520	280	POE 22	C/V	DWG09	SM08	FFU160HAX		

R134a • LBP • 60Hz - EU portfolio

MODEL	DISPL. cm ³	HP	VOLTAGE/FREQUENCY	MOTOR TYPE	TORQUE	APPL.	RATED POINT ASHRAE -23,3 °C / 54,4 °C		RATED POINT AR1540 -23,3 °C / 48,9 °C		COOLING CAPACITY ARI 540						WEIGHT kg	MAX HEIGHT A mm	LRA A	COOL. TYPE	FAN AIR FLOW m ³ /h	OIL CHARGE cm ³	OIL TYPE	EXP. DEVICE	DRAWINGS		MODEL	
							CAPACITY W	EFFICIENCY W/W	CAPACITY W	EFFICIENCY W/W	COND. TEMP. °C	EVAPORATING TEMPERATURE °C W													EXTERNAL VIEW REF.	WIRING DIAGRAM REF.		
												-30	-25	-20	-15	-10												-5
NEK2116Z	7,40	1/5	115V 60Hz 1 ~	CSIR	HST	LBP	216	1,17	171	0,92	55	86	127	180	247	328	424	10,0	187	22,0	S	-	350	POE 22	C/V	DWG04	SM04	NEK2116Z
											45	122	169	229	300	385	478											
NE2121Z	9,27	1/4	115V 60Hz 1 ~	CSIR	HST	LBP	278	1,09	204	0,81	55	109	147	195	252	319	395	11,0	200	29,0	F	520	350	POE 22	C/V	DWG04	SM04	NE2121Z
											45	132	176	230	295	371	457											
NE2130Z	12,12	1/3	100V 50/60Hz 1 ~	CSIR	HST	LBP	367	1,19	269	1,16	55	166	227	300	383	479	586	11,0	200	38,0	F	520	350	POE 22	C/V	DWG04	SM04	NE2130Z
											45	205	268	348	443	553	679											
NE2130Z	12,12	1/3	115V 60Hz 1 ~	CSIR	HST	LBP	367	1,19	269	0,88	55	166	227	300	383	479	586	11,0	200	38,0	F	520	350	POE 22	C/V	DWG04	SM04	NE2130Z
											45	205	268	348	443	553	679											
NE2134Z	14,30	1/3	115V 60Hz 1 ~	CSIR	HST	LBP	425	1,23	312	0,91	55	191	257	334	424	533	660	11,0	200	33,0	F	520	350	POE 22	C/V	DWG04	SM04	NE2134Z
											45	228	303	392	495	618	764											
NE2134Z	14,30	1/3	208-230V 60Hz 1 ~	CSIR	HST	LBP	409	1,24	300	0,92	55	188	252	332	425	533	654	11,6	206	21,0	F	520	350	POE 22	C/V	DWG04	SM04	NE2134Z
											45	230	302	392	498	622	763											
NEK2140Z	16,80	1/2	115V 60Hz 1 ~	CSIR	HST	LBP	500	1,19	390	0,94	55	236	314	417	546	698	876	11,0	206	40,0	F	520	350	POE 22	C/V	DWG04	SM04	NEK2140Z
											45	279	378	503	653	828	1030											
NEU2140Z	16,80	1/2	115-127V 60Hz 1 ~	CSIR	HST	LBP	512	1,28	405	0,98	55	-	-	-	-	-	-	11,1	206	40,0	F	520	350	POE 22	C/V	DWG04	SM04	NEU2140Z
											45	-	-	-	-	-	-											
NEU2140Z	16,80	1/2	115-127V 60Hz 1 ~	CSR	HST	LBP	516	1,37	407	1,04	55	-	-	-	-	-	-	11,1	206	40,0	F	520	350	POE 22	C/V	DWG04	SM06	NEU2140Z
											45	-	-	-	-	-	-											
NT2152ZV	26,2	1/2	115V 60Hz 1 ~	CSR	HST	LBP	681	1,31	610	1,07	55	200	425	646	871	1104	1351	18,2	250	70,0	F	520	450	POE 22	C/V	DWG17	SM26	NT2152ZV
											45	380	593	814	1048	1303	1582											

R134a • LBP - L/MBP - L/M/HBP • 60Hz - BR portfolio

MODEL	DISPL. cm ³	HP	VOLTAGE/FREQUENCY	MOTOR TYPE	TORQUE	APPL.	RATED POINT ASHRAE -23,3 °C / 54,4 °C		COOLING CAPACITY ASHRAE LBP										WEIGHT kg	MAX HEIGHT A mm	LRA A	COOL. TYPE	FAN AIR FLOW m ³ /h	OIL CHARGE cm ³	OIL TYPE	EXP. DEVICE	DRAWINGS		MODEL	
							CAPACITY W	EFFICIENCY W/W	COND. TEMP. °C	EVAPORATING TEMPERATURE °C W																	EXTERNAL VIEW REF.	WIRING DIAGRAM REF.		
										-35	-30	-25	-20	-15	-10	-5	0													
EM20HHR	2,27	1/12	220-240V 50/60Hz 1 ~	RSIR/CSIR	LST	L/M/HBP	59	0,89	55	16	34	53	74	98	127	161	202	6,8	158	6,0	S/F	520	160	POE 22	C	DGW10	SM07	EM20HHR		
EMIS20HHR	2,27	1/12	220V 60Hz 1 ~	RSIR/CSIR	LST	L/M/HBP	57	0,81	55	19	33	52	75	103	137	178	226	6,8	158	9,1	S/F	520	160	POE 22	C	DGW10	SM07	EMIS20HHR		
EMIS20HHR	2,27	1/12	115-127V 60Hz 1 ~	RSIR/CSIR	LST	L/M/HBP	56	0,8	55	16	30	48	70	97	129	168	215	6,8	158	11,6	S/F	520	160	POE 22	C	DGW10	SM07	EMIS20HHR		
EMIE30HER	2,83	1/10	220-240V 50/60Hz 1 ~	RSIR/CSIR	LST	L/MBP	88	1,26	55	44	150	65	90	120	155	196	-	7,2	158	7,0	S	-	180	POE 10	C	DGW10	SM07	EMIE30HER		
EMIS30HHR	3,00	1/8	220V 50/60Hz 1 ~	RSIR/CSIR	LST	L/M/HBP	100	1,14	55	35	59	85	117	154	199	251	314	6,8	158	8,8	S/F	520	160	POE 22	C	DGW10	SM07	EMIS30HHR		
EMIS30HHR	3,00	1/8	115-127V 60Hz 1 ~	RSIR/CSIR	LST	L/M/HBP	100	1,1	55	35	57	84	115	153	198	251	313	6,8	158	16,0	S/F	520	160	POE 22	C	DGW10	SM07	EMIS30HHR		
EMIE40HJP	3,40	1/8	220V 50/60Hz 1 ~	RSIR	LST	LBP	115	1,28	55	54	79	109	145	187	237	-	-	6,6	158	3,7	S	-	180	POE 10	C	DGW10	SM07	EMIE40HJP		
EM145HER	3,77	1/8	220-240V 50/60Hz 1 ~	RSIR/CSIR	LST	LBP	123	1,32	55	47	75	110	151	197	249	-	-	7,7	167	9,3	S	-	160	POE 22	C	DGW10	SM07	EM145HER		
EM45HHR	3,77	1/8	115-127V 60Hz 1 ~	RSIR/CSIR	LST	L/M/HBP	123	1,15	55	48	80	114	153	197	249	310	381	7,2	166	17,0	S/F	520	160	POE 22	C	DGW10	SM07	EM45HHR		
EMIE65HER	5,19	1/6	220-240V 50/60Hz 1 ~	RSIR/CSIR	LST	LBP	185	1,33	55	124	124	168	220	282	356	-	-	8,3	166	11,5	S/F	520	180	POE 10	C	DGW10	SM07	EMIE65HER		
EGAS70HLR	5,56	1/6	220-240V 50/60Hz 1 ~	RSIR	LST	LBP	203	1,57	55	83	125	178	244	324	420	-	-	10,0	195	13,4	S	-	230	POE 10	C	DWG09	SM09	EGAS70HLR		
EMI70HER	5,89	1/6	220V 60Hz 1 ~	RSIR/CSIR	LST	LBP	207	1,34	55	100	143	190	244	310	391	-	-	7,7	166	12,5	S	-	160	POE 22	C	DGW10	SM07	EMI70HER		
EMYE70HEP	5,96	1/6	220-240V 50/60Hz 1 ~	RSIR	LST	LBP	201	1,53	55	100	141	184	234	295	373	-	-	7,8	166	6,5	S	-	180	POE 10	C	DGW10	SM07	EMYE70HEP		
EGAS80HLR	6,36	1/5	220-240V 50/60Hz 1 ~	RSIR/CSIR	LST	LBP	233	1,59	55	90	143	207	283	373	476	-	-	10,0	195	13,5	S/F	520	230	POE 10	C	DWG09	SM09	EGAS80HLR		
FFUS70HAK	6,36	1/5	220-240V 50/60Hz 1 ~	RSIR/CSIR	LST	L/MBP	222	1,51	55	91	140	198	267	350	449	566	705	10,2	201	12,1	S/F	520	230	POE 10	C	DWG09	SM08	FFUS70HAK		
FFUS70HAK	6,36	1/5	115-127V 60Hz 1 ~	RSIR/CSIR	LST	L/MBP	229	1,52	55	99	146	205	277	363	466	585	721	10,9	201	24,7	S/F	520	280	POE 10	C	DWG09	SM08	FFUS70HAK		
FFUS80HAK	6,76	1/5	220-240V 50/60Hz 1 ~	RSIR/CSIR	LST	L/MBP	236	1,47	55	108	155	213	284	369	470	589	727	10,0	201	12,1	S/F	520	230	POE 10	C	DWG09	SM08	FFUS80HAK		
FFUS80HAK	6,76	1/5	115-127V 60Hz 1 ~	RSIR/CSIR	LST	L/MBP	236	1,44	55	111	157	214	285	371	474	596	740	10,0	201	32,0	S/F	520	230	POE 10	C	DWG09	SM08	FFUS80HAK		
FF7,5HBK	6,92	1/6	220-240V 50/60Hz 1 ~	RSIR/CSIR	LST	L/M/HBP	206	1,15	55	80	122	174	236	310	397	499	618	10,7	195	15,8	S	-	280	POE 22	C	DWG09	SM08	FF7,5HBK		
EGAS90HLR	7,15	1/4	220-240V 50/60Hz 1 ~	RSIR/CSIR	LST	LBP	271	1,59	55	-	-	-	-	-	-	-	-	10,5	195	13,5	S	-	230	POE 10	C	DWG09	SM09	EGAS90HLR		
EGAS100HLR	7,95	1/4	220-240V 50/60Hz 1 ~	RSIR/CSIR	LST	LBP	308	1,6	55	132	201	278	367	471	595	-	-	11,0	201	16,0	S	-	230	POE 10	C	DWG09	SM09	EGAS100HLR		
FFUS100HAK	7,95	1/4	220-240V 50/60Hz 1 ~	RSIR/CSIR	LST	L/MBP	295	1,52	55	142	195	268	361	470	596	737	892	10,6	201	16,6	S/F	520	350	POE 10	C	DWG09	SM08	FFUS100HAK		
FFUS100HAK	7,95	1/4	115-127V 60Hz 1 ~	RSIR/CSIR	LST	L/MBP	297	1,74	55	139	195	268	357	465	592	740	908	10,5	201	30,0	S/F	520	350	POE 10	C	DWG09	SM08	FFUS100HAK		
FF8,5HBK	7,95	1/5	220V 60Hz 1 ~	RSIR/CSIR	LST	L/M/HBP	217	1,11	55	103	145	197	261	341	437	552	687	10,9	195	18,5	S/F	520	280	POE 22	C	DWG09	SM08	FF8,5HBK		
FF110HAK	9,04	1/4	220-230V 50/60Hz 1 ~	RSIR/CSIR	LST	L/MBP	302	1,42	55	115	188	270	364	473	601	751	-	10,9	201	17,5	S/F	520	280	POE 22	C	DWG0				

R134a • HBP • 50Hz - EU portfolio

MODEL	DISPL. cm ³	HP	VOLTAGE/FREQUENCY	MOTOR TYPE	TORQUE	APPL.	RATED POINT ASHRAE 7,2 °C / 54,4 °C		RATED POINT EN12900 5 °C / 50 °C		COOLING CAPACITY EN12900						WEIGHT kg	MAX HEIGHT A mm	LRA A	COOL. TYPE	FAN AIR FLOW m ³ /h	OIL CHARGE cm ³	OIL TYPE	EXP. DEVICE	DRAWINGS		MODEL	
							CAPACITY W	EFFICIENCY W/W	CAPACITY W	EFFICIENCY W/W	COND. TEMP. °C	EVAPORATING TEMPERATURE °C																
												-15	-10	-5	0	5									10	EXTERNAL VIEW REF.		WIRING DIAGRAM REF.
EMT37HDP	3,40	1/8	200-230V 50HZ / 208-230V 60HZ 1 ~	RSIR	LST	HBP	351	2,56	321	2,46	55	-	150	189	237	298	361	7,2	166	4,3	S	-	180	POE 22	C	DWG01	SM00	EMT37HDP
											45	146	184	229	284	343	423											
EMT37HDP	3,40	1/8	220-240V 50HZ 1 ~	RSIR	LST	HBP	351	2,55	321	2,46	55	-	153	194	241	294	355	7,2	158	4,3	S	-	180	POE 22	C	DWG01	SM00	EMT37HDP
											45	142	181	228	245	343	412											
EMT45HDR	3,97	1/8	220-240V 50HZ 1 ~	CSIR	HST	HBP	421	2,66	379	2,58	55	-	150	189	237	298	361	7,7	166	5,4	S	-	180	POE 10	C/V	DWG01	SM05	EMT45HDR
											45	146	184	229	284	402	423											
EMT50HDP	4,50	1/6	200-230V 50HZ / 208-230V 60HZ 1 ~	RSIR	LST	HBP	474	2,58	427	2,54	55	-	203	257	319	390	469	7,7	166	9,1	S	-	180	POE 22	C	DWG01	SM00	EMT50HDP
											45	187	240	303	324	458	549											
EMT50HDP	4,50	1/6	220-240V 50HZ 1 ~	RSIR	LST	HBP	475	2,58	423	2,47	55	-	203	256	318	388	472	7,7	166	5,4	S	-	180	POE 22	C	DWG01	SM00	EMT50HDP
											45	191	242	303	374	456	549											
EMT6144Z	5,20	1/5	220-240V 50HZ 1 ~	CSIR	HST	HBP	577	2,60	519	2,53	55	-	250	313	388	474	573	7,8	166	8,5	F	270	180	POE 22	C/V	DWG01	SM05	EMT6144Z
											45	232	294	367	395	549	661											
EMT6160Z	6,76	1/4	220-240V 50HZ 1 ~	CSIR	HST	HBP	720	2,40	648	2,34	55	-	322	403	495	600	718	7,8	166	9,8	F	520	180	POE 22	C/V	DWG01	SM05	EMT6160Z
											45	298	377	469	504	696	830											
NEK6160Z	7,28	1/4	220-240V 50HZ 1 ~	CSIR	HST	HBP	716	2,41	663	2,41	55	-	296	376	472	586	716	10,4	187	11,5	F	520	350	POE 22	C/V	DWG03	SM05	NEK6160Z
											45	281	355	448	481	687	834											
NEK6160Z	7,28	1/4	200-230V 50HZ / 208-230V 60HZ 1 ~	CSIR	HST	HBP	717	2,41	663	2,41	55	-	290	371	470	586	720	10,4	187	13,5	F	520	350	POE 22	C/V	DWG03	SM05	NEK6160Z
											45	277	350	442	478	684	833											
EMT6170Z	7,69	1/4	220-240V 50HZ 1 ~	CSIR	HST	HBP	806	2,26	725	2,18	55	-	358	448	550	663	789	7,8	166	10,4	F	520	180	POE 22	C/V	DWG01	SM05	EMT6170Z
											45	330	418	522	559	771	915											
NEK6170Z	8,40	1/4	220-240V 50HZ 1 ~	CSIR	HST	HBP	837	2,41	775	2,45	55	-	360	453	562	689	833	10,4	187	12,4	F	520	350	POE 22	C/V	DWG03	SM05	NEK6170Z
											45	336	422	527	572	798	964											
NEK6170Z	8,40	1/4	200-230V 50HZ / 208-230V 60HZ 1 ~	CSIR	HST	HBP	841	2,44	775	2,46	55	-	358	451	563	693	841	10,8	200	16,5	F	520	350	POE 22	C/V	DWG03	SM05	NEK6170Z
											45	335	420	526	573	802	971											
NEK6170Z	8,40	1/4	100V 50/60HZ 1 ~	CSIR	HST	HBP	823	2,18	762	2,16	55	-	313	384	496	650	844	10,4	187	16,5	F	520	350	POE 22	C/V	DWG03	SM05	NEK6170Z
											45	337	367	445	505	742	958											
EMTE6187Z	9,50	1/3	220-240V 50HZ 1 ~	CSIR	HST	HBP	943	2,52	975	2,87	55	-	485	592	732	906	1081	8,6	171	16,5	F	520	210	POE 22	C/V	DWG01	SM05	EMTE6187Z
											45	356	460	564	705	871	1037											
NEK6187Z	10,00	1/3	220-240V 50HZ 1 ~	CSIR	HST	HBP	967	2,36	896	2,38	55	-	402	511	642	793	965	11,0	200	16,1	F	520	350	POE 22	C/V	DWG03	SM05	NEK6187Z
											45	378	477	600	654	918	1113											
NEK6187Z	10,00	1/3	200-230V 50HZ / 208-230V 60HZ 1 ~	CSIR	HST	HBP	965	2,39	894	2,40	55	-	439	538	657	796	955	11,6	206	19,3	F	520	350	POE 22	C/V	DWG03	SM05	NEK6187Z
											45	375	479	606	669	928	1123											
NEU6187Z	10,00	1/3	200-240V 50HZ / 230V 60HZ 1 ~	CSIR	HST	HBP	1018	2,44	917	2,40	55	-	442	560	697	855	1033	10,5	187	13,0	F	520	350	POE 22	C/V	DWG03	SM05	NEU6187Z
											45	408	517	650	806	987	1190											
NEK6210Z	12,12	1/3	200-230V 50HZ / 208-230V 60HZ 1 ~	CSIR	HST	HBP	1105	2,13	1024	2,16	55	-	454	554	699	891	1128	11,6	206	19,5	F	520	350	POE 22	C/V	DWG03	SM05	NEK6210Z
											45	469	523	637	711	1031	1314											
NEK6210Z	12,12	1/3	220-240V 50HZ 1 ~	CSIR	HST	HBP	1129	2,29	1046	2,29	55	-	480	619	773	942	1127	11,0	200	20,0	F	520	350	POE 22	C/V	DWG03	SM05	NEK6210Z
											45	456	578	726	787	1097	1319											
NEU6210Z	12,12	1/2	220-240V 50HZ 1 ~	CSIR	HST	HBP	1231	2,37	1102	2,33	55	-	530	663	825	1016	1235	10,6	200	18,5	F	520	350	POE 22	C/V	DWG03	SM05	NEU6210Z
											45	489	615	770	955	1170	1414											
NEU6210Z	12,12	1/2	220-240V 50HZ 1 ~	CSR	HST	HBP	1247	2,58	1109	2,48	55	-	530	672	839	1032	1250	10,6	200	18,5	F	520	350	POE 22	C/V	DWG03	SM06	NEU6210Z
											45	483	618	780	969	1186	1431											
NEU6210Z	12,12	1/2	200-230V 50HZ / 208-230V 60HZ 1 ~	CSIR	HST	HBP	1222	2,38	1136	2,33	55	-	-	-	-	-	-	-	200	-	F	520	350	POE 22	C/V	DWG03	SM05	NEU6210Z
											45	-	-	-	-	-	-											
NEU6210Z	12,12	1/2	200-230V 50HZ / 208-230V 60HZ 1 ~	CSR	HST	HBP	1234	2,57	1148	2,52	55	-	-	-	-	-	-	-	200	-	F	520	350	POE 22	C/V	DWG03	SM06	NEU6210Z
											45	-	-	-	-	-	-											
NEK6212Z	14,30	1/2	200-230V 50HZ / 208-230V 60HZ 1 ~	CSR	HST	HBP	1302	2,12	1206	2,14	55	-	565	712	882	1076	1291	11,6	206	19,5	F	520	350	POE 22	C/V	DWG03	SM06	NEK6212Z
											45	521	662	830	898	1249	1498											
NEK6212Z	14,30	1/2	220-240V 50HZ 1 ~	CSIR	HST	HBP	1314	2,09	1217	2,12	55	-	562	708	881	1081	1308	11,2	206	22,5	F	520	350	POE 22	C/V	DWG03	SM05	NEK6212Z
											45	534	665	828	897	1248	1504											
NEU6212Z	14,30	1/2	220-240V 50HZ 1 ~	CSIR	HST	HBP	1420	2,26	1271	2,22	55	-	595	767	965	1188	1437	11,2	200	20,0	F	520	350	POE 22	C/V	DWG03	SM05	NEU6212Z
											45	556	706	892	1111	1365	1653											
NEU6212Z	14,30	1/2	220-240V 50HZ 1 ~	CSR	HST	HBP	1456	2,52	1288	2,41	55	-	-	-	-	-	-	11,2	200	20,0	F	520	350	POE 22	C/V	DWG03	SM06	NEU6212Z
											45	-	-	-	-	-	-											
NEU6212Z	14,30	1/2	200-230V 50HZ / 208-230V 60HZ 1 ~	CSIR	HST	HBP	1444	2,36	1343	2,31	55	-	-	-	-	-	-	11,6	206	26,0	F							

...FOLLOW

R134a • HBP • 50Hz - EU portfolio

MODEL	DISPL. cm ³	HP	VOLTAGE/FREQUENCY	MOTOR TYPE	TORQUE	APPL.	RATED POINT ASHRAE 7,2 °C / 54,4 °C		RATED POINT EN12900 5 °C / 50 °C		COOLING CAPACITY EN12900						WEIGHT kg	MAX HEIGHT A mm	LRA A	COOL. TYPE	FAN AIR FLOW m ³ /h	OIL CHARGE cm ³	OIL TYPE	EXP. DEVICE	DRAWINGS		MODEL	
							CAPACITY W	EFFICIENCY W/W	CAPACITY W	EFFICIENCY W/W	COND. TEMP. °C	EVAPORATING TEMPERATURE °C W													EXTERNAL VIEW REF.	WIRING DIAGRAM REF.		
												-15	-10	-5	0	5												10
NEK6214Z	16,80	1/2	220-240V 50HZ 1 ~	CSIR	HST	HBP	1486	1,92	1315	1,90	55	-	640	814	1008	1215	1473	11,6	206	25,5	F	520	350	POE 22	C/V	DWG03	SM05	NEK6214Z
											45	593	752	945	1026	1412	1701											
NEU6214Z	16,80	1/2	220-240V 50HZ 1 ~	CSIR	HST	HBP	1636	2,14	1459	2,12	55	-	724	909	1124	1367	1640	11,6	206	22,0	F	520	350	POE 22	C/V	DWG03	SM05	NEU6214Z
											45	657	836	1047	1292	1569	1880											
NEU6214Z	16,80	1/2	220-240V 50HZ 1 ~	CSR	HST	HBP	1678	2,45	1492	2,35	55	-	738	927	1150	1407	1699	11,6	206	22,0	F	520	350	POE 22	C/V	DWG03	SM06	NEU6214Z
											45	663	844	1063	1320	1615	1946											
NEU6214Z	16,80	1/2	200-230V 50HZ / 208-230V 60HZ 1 ~	CSR	HST	HBP	1668	2,00	1485	1,92	55	-	-	-	-	-	-	11,6	206	25,0	F	520	350	POE 22	C/V	DWG03	SM06	NEU6214Z
											45	-	-	-	-	-	-											
NT6215Z	17,40	1/2	200-240V 50HZ / 230V 60HZ 1 ~	CSIR	HST	HBP	1607	2,52	1405	2,38	55	-	661	829	1033	1282	1582	17,0	220	20,7	F	520	450	POE 22	C/V	DWG15-DWG16	SM19	NT6215Z
											45	627	796	998	1241	1533	1883											
NT6215Z	17,40	1/2	220V 50HZ 1 ~	CSIR	HST	HBP	1620	2,29	1435	2,25	55	-	646	843	1071	1326	1606	17,0	207	21,0	F	520	450	POE 22	C/V	DWG15	SM19	NT6215Z
											45	621	796	1014	1090	1567	1894											
NT6217Z	20,40	3/4	220-240V 50HZ 1 ~	CSIR	HST	HBP	1863	2,31	1655	2,20	55	-	791	991	1234	1521	1853	17,0	220	25,0	F	520	450	POE 22	C/V	DWG15-DWG16	SM19	NT6217Z
											45	754	938	1173	1256	1795	2185											
NT6217Z	20,40	3/4	220-240V 50HZ 1 ~	CSR	HST	HBP	1963	2,67	1695	2,42	55	-	799	1010	1271	1582	1945	17,0	220	25,0	F	520	450	POE 22	C/V	DWG15-DWG16	SM23	NT6217Z
											45	754	947	1196	1294	1867	2294											
NT6217Z	20,40	3/4	200-240V 50HZ / 230V 60HZ 1 ~	CSIR	HST	HBP	1863	2,41	1619	2,20	55	-	764	961	1196	1473	1800	17,0	220	25,0	F	520	450	POE 22	C/V	DWG15-DWG16	SM19	NT6217Z
											45	712	912	1148	1428	1757	2143											
NT6217Z	20,40	3/4	200-240V 50HZ / 230V 60HZ 1 ~	CSR	HST	HBP	1943	2,67	1680	2,40	55	-	772	980	1232	1532	1890	17,0	220	25,0	F	520	450	POE 22	C/V	DWG15-DWG16	SM23	NT6217Z
											45	712	921	1171	1471	1827	2250											
NT6220Z	22,40	3/4	200-240V 50HZ / 230V 60HZ 1 ~	CSIR	HST	HBP	2016	2,34	1744	2,13	55	-	852	1060	1303	1586	1915	17,2	220	29,5	F	520	450	POE 22	C/V	DWG15-DWG16	SM19	NT6220Z
											45	800	1011	1260	1554	1897	2294											
NT6220Z	22,40	3/4	200-240V 50HZ / 230V 60HZ 1 ~	CSR	HST	HBP	2016	2,55	1752	2,34	55	-	861	1081	1342	1649	2011	17,2	220	28,0	F	520	450	POE 22	C/V	DWG15-DWG16	SM23	NT6220Z
											45	808	1021	1285	1601	1973	2409											
NTU6222ZV	23,70	3/4	220-240V 50HZ 1 ~	CSR	HST	HBP	2424	3,09	2117	2,89	55	-	1044	1305	1605	1955	2365	18,3	253	30,0	F	520	650	POE 22	C/V	DWG19	SM26	NTU6222ZV
											45	968	1225	1521	1866	2273	2754											
NJ6220Z	26,10	3/4	220-240V 50HZ 1 ~	CSIR	HST	HBP	2547	2,60	2021	2,16	55	-	875	1147	1459	1826	2260	20,5	265	35,0	F	800	750	POE 22	C/V	DWG14	SM14	NJ6220Z
											45	822	1104	1419	1780	2202	2699											
NJ6220ZX	26,10	3/4	380-420V 50HZ / 440-480V 60HZ 3 ~	3PHASE	HST	HBP	2547	2,91	2240	2,40	55	-	993	1326	1693	2096	2534	19,6	265	10,0	F	800	750	POE 22	C/V	DWG14	SM18	NJ6220ZX
											45	882	1159	1502	1723	2389	2932											
NTU6224ZV	27,80	1	220-240V 50HZ 1 ~	CSR	HST	HBP	2767	3,00	2582	2,94	55	-	1272	1574	1921	2325	2795	18,3	253	30,0	F	520	650	POE 22	C/V	DWG19	SM26	NTU6224ZV
											45	1179	1484	1834	2242	2720	3277											
NJ6226Z	34,40	1	220-240V 50HZ 1 ~	CSR	HST	HBP	2976	2,41	2610	2,20	55	-	1182	1531	1923	2371	2886	19,8	253	31,0	F	800	750	POE 22	C/V	DWG14	SM17	NJ6226Z
											45	1144	1497	1892	2340	2852	3438											
NJ6226ZX	34,40	1	380-420V 50HZ / 440-480V 60HZ 3 ~	3PHASE	HST	HBP	2976	2,50	2740	2,40	55	-	1214	1589	2004	2457	2950	20,2	265	13,0	F	800	750	POE 22	C/V	DWG14	SM18	NJ6226ZX
											45	1304	1644	2044	2039	3027	3608											

Note: Return gas temperature in EN12900 conditions for EM and NE series is 32°C for NT and NJ series is 20°C

R134a • HBP - M/HBP - L/M/HBP • 50Hz - BR portfolio

MODEL	DISPL. cm ³	HP	VOLTAGE/FREQUENCY	MOTOR TYPE	TORQUE	APPL.	RATED POINT ASHRAE 7,2 °C / 54,4 °C		COOLING CAPACITY ASHRAE HBP32						WEIGHT kg	MAX HEIGHT A mm	LRA A	COOL. TYPE	FAN AIR FLOW m ³ /h	OIL CHARGE cm ³	OIL TYPE	EXP. DEVICE	DRAWINGS		MODEL
							CAPACITY W	EFFICIENCY W/W	COND. TEMP. °C	EVAPORATING TEMPERATURE °C W													EXTERNAL VIEW REF.	WIRING DIAGRAM REF.	
										-5	0	5	10	15											
EM20HHR	2,27	1/12	220-240V 50/60HZ 1 ~	RSIR/CSIR	LST	L/M/HBP	246	2,51	55	135	170	212	260	315	6,8	158	6,5	S/F	520	160	POE 22	C	DWG10	SM07	EM20HHR
EMIS30HHR	3,00	1/8	220V 50/60HZ 1 ~	RSIR/CSIR	LST	L/M/HBP	363	2,60	55	217	271	332	401	478	6,8	158	9,0	S/F	520	160	POE 22	C	DWG10	SM07	EMIS30HHR
EM45HHR	3,77	1/6	220-240V 50HZ 1 ~	RSIR/CSIR	LST	L/M/HBP	440	2,63	55	256	321	397	486	587	7,7	171	9,0	S/F	520	160	POE 22	C	DWG10	SM07	EM45HHR
EM55HHR	4,60	1/6	220-240V 50/60HZ 1 ~	RSIR	LST	HBP	533	2,69	55	327	401	487	585	696	7,6	171	10,0	F	520	160	POE 22	C	DWG10	SM07	EM55HHR
EM65HHR	5,54	1/5	220V 50/60HZ 1 ~	RSIR/CSIR	LST	M/HBP	645	2,45	55	389	486	594	713	844	7,2	171	14,3	F	520	160	POE 22	C	DWG10	SM07	EM65HHR
FF7,5HBK	6,92	1/5	220-240V 50/60HZ 1 ~	RSIR/CSIR	LST	L/M/HBP	-	-	55	431	537	659	801	962	10,7	195	16,7	S	-	280	POE 22	C	DWG09	SM08	FF7,5HBK
FF8,5HBK	7,95	1/4	220-240V 50HZ 1 ~	RSIR/CSIR	LST	L/M/HBP	844	2,49	55	506	632	776	940	1124	10,8	195	18,2	S/F	520	280	POE 22	C	DWG09	SM08	FF8,5HBK
FF112HBK	11,14	1/2	220-240V 50HZ 1 ~	RSIR/CSIR	LST	L/M/HBP	1316	2,61	55	790	968	1167	1390	1635	11,5	201	20,0	F	520	280	POE 22	C	DWG09	SM08	FF112HBK

R134a • HBP • 60Hz - EU portfolio

MODEL	DISPL. cm³	HP	VOLTAGE/FREQUENCY	MOTOR TYPE	TORQUE	APPL.	RATED POINT ASHRAE 7,2 °C / 54,4 °C		RATED POINT ARI 540 7,2 °C / 54,4 °C		COOLING CAPACITY ARI 540						WEIGHT kg	MAX HEIGHT A mm	LRA A	COOL. TYPE	FAN AIR FLOW m³/h	OIL CHARGE cm³	OIL TYPE	EXP. DEVICE	DRAWINGS		MODEL		
							CAPACITY W	EFFICIENCY W/W	CAPACITY W	EFFICIENCY W/W	COND. TEMP. °C	EVAPORATING TEMPERATURE °C													EXTERNAL VIEW REF.	WIRING DIAGRAM REF.			
												-15	-10	-5	0	5												10	
EMT37HDP	3,40	1/8	200-230V 50Hz / 208-230V 60Hz 1 ~	RSIR	LST	HBP	422	2,48	378	2,22	55	-	184	231	286	348	417	7,7	166	5,4	S	-	180	POE 22	C	DWG01	SM00	EMT37HDP	
											45	172	215	269	332	403	485												
EMT50HDP	4,50	1/6	200-230V 50Hz / 208-230V 60Hz 1 ~	RSIR	LST	HBP	563	2,55	506	2,29	55	-	248	310	382	464	556	7,7	166	9,1	S	-	180	POE 22	C	DWG01	SM00	EMT50HDP	
											45	232	289	360	441	534	642												
NEK6132Z	4,52	1/6	115V 60Hz 1 ~	CSIR	HST	HBP	516	2,13	473	1,94	55	-	211	272	346	431	529	10,0	187	26,0	S	-	350	POE 22	C/V	DWG04	SM04	NEK6132Z	
											45	192	250	322	408	505	617												
NEK6144Z	5,45	1/6	115V 60Hz 1 ~	CSIR	HST	HBP	640	2,18	584	1,98	55	-	268	343	432	535	652	10,1	187	26,0	F	520	350	POE 22	C/V	DWG04	SM04	NEK6144Z	
											45	245	315	399	499	612	740												
NEK6160Z	7,28	1/4	115V 60Hz 1 ~	CSIR	HST	HBP	845	2,35	758	2,11	55	-	354	450	563	694	846	10,4	187	28,5	F	520	350	POE 22	C/V	DWG04	SM04	NEK6160Z	
											45	327	418	529	657	803	967												
NEK6160Z	7,28	1/4	200-230V 50Hz / 208-230V 60Hz 1 ~	CSIR	HST	HBP	845	2,41	758	2,17	55	-	351	450	563	693	839	10,4	187	13,5	F	520	350	POE 22	C/V	DWG04	SM04	NEK6160Z	
											45	330	415	522	650	799	966												
NEU6160Z	7,28	1/4	115-127V 60Hz 1 ~	CSIR	HST	HBP	910	2,58	855	2,42	55	-	304	390	497	625	773	941	10,4	187	25,0	F	520	350	POE 22	C/V	DWG04	SM04	NEU6160Z
											45	360	460	582	727	894	1083												
NEU6160Z	7,28	1/4	115-127V 60Hz 1 ~	CSR	HST	HBP	920	2,79	865	2,60	55	-	307	395	503	633	783	954	10,4	187	25,0	F	520	350	POE 22	C/V	DWG04	SM06	NEU6160Z
											45	357	464	591	737	903	1088												
NEK6170Z	8,40	1/4	115V 60Hz 1 ~	CSIR	HST	HBP	978	2,34	878	2,10	55	-	423	527	655	804	974	10,4	187	28,5	F	520	350	POE 22	C/V	DWG04	SM04	NEK6170Z	
											45	396	493	616	762	932	1126												
NEK6170Z	8,40	1/4	100V 50/60Hz 1 ~	CSIR	HST	HBP	823	2,18	738	1,95	55	-	382	461	585	759	988	10,4	187	35,5	F	520	340	POE 22	C/V	DWG04	SM04	NEK6170Z	
											45	404	448	535	673	866	1119												
NEK6170Z	8,40	1/4	200-230V 50Hz / 208-230V 60Hz 1 ~	CSIR	HST	HBP	981	2,38	881	2,14	55	-	428	532	657	804	970	10,8	200	16,5	F	520	350	POE 22	C/V	DWG04	SM04	NEK6170Z	
											45	393	495	620	767	937	1130												
NEK6187Z	10,00	1/3	200-230V 50Hz / 208-230V 60Hz 1 ~	CSIR	HST	HBP	1115	2,30	1000	2,06	55	-	477	603	750	918	1109	11,6	206	19,3	F	520	350	POE 22	C/V	DWG04	SM04	NEK6187Z	
											45	426	549	693	857	1044	1253												
NEK6187Z	10,00	1/3	115V 60Hz 1 ~	CSIR	HST	HBP	1122	2,31	1007	2,07	55	-	476	597	746	921	1124	11,0	200	37,0	F	520	350	POE 22	C/V	DWG04	SM04	NEK6187Z	
											45	442	555	697	868	1068	1295												
NEU6187Z	10,00	1/3	115-127V 60Hz 1 ~	CSIR	HST	HBP	1211	2,42	1154	2,23	55	-	501	680	908	1129	1278	10,7	200	39,0	F	520	350	POE 22	C/V	DWG04	SM04	NEU6187Z	
											45	498	586	783	1031	1274	1455												
NEU6187Z	10,00	1/3	115-127V 60Hz 1 ~	CSR	HST	HBP	1225	2,60	1163	2,35	55	-	500	682	916	1145	1312	10,7	200	39,0	F	520	350	POE 22	C/V	DWG04	SM06	NEU6187Z	
											45	503	592	792	1044	1291	1475												
NEU6187Z	10,00	1/3	200-240V 50Hz / 230V 60Hz 1 ~	CSIR	HST	HBP	1186	2,31	1086	2,07	55	-	-	-	-	-	-	10,5	187	13,0	F	520	350	POE 22	C/V	DWG03	SM05	NEU6187Z	
											45	-	-	-	-	-	-												
NEK6210Z	12,12	1/3	200-230V 50Hz / 208-230V 60Hz 1 ~	CSIR	HST	HBP	1267	2,10	1138	1,88	55	-	507	614	782	1011	1299	11,6	206	20,0	F	520	350	POE 22	C/V	DWG04	SM04	NEK6210Z	
											45	543	598	721	911	1167	1487												
NEK6210Z	12,12	1/3	115V 60Hz 1 ~	CSIR	HST	HBP	1326	2,18	1190	1,96	55	-	575	722	895	1094	1319	11,0	200	37,0	F	520	350	POE 22	C/V	DWG04	SM04	NEK6210Z	
											45	521	667	841	1041	1267	1520												
NEU6210Z	12,12	1/3	115-127V 60Hz 1 ~	CSIR	HST	HBP	1426	2,3	1343	2,17	55	-	497	632	798	995	1223	1481	10,8	200	40,0	F	520	350	POE 22	C/V	DWG04	SM04	NEU6210Z
											45	567	725	917	1142	1402	1695												
NEU6210Z	12,12	1/3	115-127V 60Hz 1 ~	CSR	HST	HBP	1444	2,5	1361	2,36	55	-	507	640	805	1004	1235	1498	10,8	200	40,0	F	520	350	POE 22	C/V	DWG04	SM06	NEU6210Z
											45	580	739	931	1157	1416	1709												
NEU6210Z	12,12	1/2	200-230V 50Hz / 208-230V 60Hz 1 ~	CSIR	HST	HBP	1491	2,38	1342	2,14	55	-	466	623	801	1002	1225	1469	11,1	200	21,0	F	520	350	POE 22	C/V	DWG04	SM04	NEU6210Z
											45	569	732	924	1144	1392	1669												
NEU6210Z	12,12	1/2	200-230V 50Hz / 208-230V 60Hz 1 ~	CSR	HST	HBP	1509	2,57	1358	2,31	55	-	469	626	807	1011	1240	1492	11,1	200	21,0	F	520	350	POE 22	C/V	DWG04	SM06	NEU6210Z
											45	571	736	931	1156	1412	1697												
NEK6212Z	14,30	1/2	200-230V 50Hz / 208-230V 60Hz 1 ~	CSR	HST	HBP	1474	1,97	1323	1,77	55	-	660	825	1011	1221	1450	11,6	206	22,5	F	520	350	POE 22	C/V	DWG04	SM06	NEK6212Z	
											45	611	778	971	1188	1432	1700												
NEK6212Z	14,30	1/2	115V 60Hz 1 ~	CSIR	HST	HBP	1517	1,98	1361	1,78	55	-	658	830	1028	1254	1506	11,6	206	40,0	F	520	350	POE 22	C/V	DWG04	SM04	NEK6212Z	
											45	599	769	967	1193	1446	1728												
NEK6212Z	14,30	1/2	115V 60Hz 1 ~	CSR	HST	HBP	1568	2,18	1407	1,96	55	-	658	830	1028	1254	1506	11,6	206	40,0	F	520	350	POE 22	C/V	DWG04	SM06	NEK6212Z	
											45	599	769	967	1193	1446	1728												
NEU6212Z	14,30	1/2	115-127V 60Hz 1 ~	CSIR	HST	HBP	1663	2,23	1571	2,10	55	-	746	934	1158	1417	1711	11,5	206	40,0	F	520	350	POE 22	C/V	DWG04	SM04	NEU6212Z	
											45	675	856	1074	1330	1622	1951												
NEU6212Z	14,30	1/2	115-127V 60Hz 1 ~	CSR	HST	HBP	1691	2,44	1579	2,27	55	-	754	946	1177	1444	1749	11,5	206	40,0	F	520	350	POE 22	C/V	DWG04	SM06	NEU6212Z	
											45	668	857	1084	1349	1650	1989												
NEU6212Z	14,30	1/2	200-230V 50Hz / 208-230V 60Hz 1 ~	CSIR	HST																								

... FOLLOW

R134a • HBP • 60Hz - EU portfolio

MODEL	DISPL. cm³	HP	VOLTAGE/FREQUENCY	MOTOR TYPE	TORQUE	APPL.	RATED POINT ASHRAE 7,2 °C / 54,4 °C		RATED POINT ARI 540 7,2 °C / 54,4 °C		COOLING CAPACITY ARI 540						WEIGHT kg	MAX HEIGHT mm	LRA A	COOL. TYPE	FAN AIR FLOW m³/h	OIL CHARGE cm³	OIL TYPE	EXP. DEVICE	DRAWINGS		MODEL	
							CAPACITY W	EFFICIENCY W/W	CAPACITY W	EFFICIENCY W/W	COND. TEMP. °C	EVAPORATING TEMPERATURE °C W													EXTERNAL VIEW REF.	WIRING DIAGRAM REF.		
												-15	-10	-5	0	5												10
NEU6214Z	16,80	1/2	208-230V 60Hz 1 ~	CSIR	HST	HBP	1876	2,03	1803	1,95	55	-	842	1066	1328	1628	1968	11,5	206	30,0	F	520	350	POE 22	C/V	DWG04	SM04	NEU6214Z
NEU6214Z	16,80	1/2	208-230V 60Hz 1 ~	CSR	HST	HBP	1919	2,28	1831	2,14	45	762	979	1233	1525	1854	2221	11,5	206	30,0	F	520	350	POE 22	C/V	DWG04	SM06	NEU6214Z
NEU6214Z	16,80	1/2	200-230V 50Hz / 208-230V 60Hz 1 ~	CSR	HST	HBP	1897	2,25	1802	2,12	55	-	-	-	-	-	-	11,6	206	25,0	F	520	350	POE 22	C/V	DWG04	SM06	NEU6214Z
NT6215Z	17,40	1/2	208-230V 60Hz 1 ~	CSIR	HST	HBP	1876	2,25	1794	2,11	45	777	997	1256	1556	1895	2274	17,0	207	20,8	F	520	450	POE 22	C/V	DWG15	SM20	NT6215Z
NT6215Z	17,40	1/2	115V 60Hz 1 ~	CSIR	HST	HBP	1942	2,40	1925	2,37	55	-	893	1146	1439	1772	2144	16,5	207	44,0	F	520	450	POE 22	C/V	DWG15	SM20	NT6215Z
NT6215Z	17,40	1/2	115V 60Hz 1 ~	CSR	HST	HBP	2015	2,61	1933	2,50	45	810	1043	1322	1652	2029	2454	15,7	207	44,0	F	520	450	POE 22	C/V	DWG15	SM23	NT6215Z
NT6217Z	20,40	3/4	115V 60Hz 1 ~	CSR	HST	HBP	2189	2,29	2013	2,20	55	-	1051	1339	1655	2013	2425	17,5	220	45,0	F	520	450	POE 22	C/V	DWG15	SM23	NT6217Z
NT6217Z	20,40	3/4	208-230V 60Hz 1 ~	CSIR	HST	HBP	2221	2,27	2126	2,18	45	956	1243	1558	1913	2320	2792	16,7	220	31,0	F	520	450	POE 22	C/V	DWG15	SM20	NT6217Z
NT6217Z	20,40	3/4	208-230V 60Hz 1 ~	CSR	HST	HBP	2287	2,58	2157	2,45	45	922	1173	1474	1827	2229	2680	16,7	220	31,0	F	520	450	POE 22	C/V	DWG15	SM23	NT6217Z
NT6220Z	22,40	1	115V 60Hz 1 ~	CSR	HST	HBP	2466	2,48	2361	2,47	55	-	1174	1476	1821	2196	2605	17,0	220	54,5	F	520	450	POE 22	C/V	DWG17	SM21	NT6220Z
NT6220Z	22,40	1	208-230V 60Hz 1 ~	CSIR	HST	HBP	2447	2,27	2420	2,09	45	1067	1339	1668	2047	2481	2959	17,2	220	33,7	F	520	450	POE 22	C/V	DWG16	SM20	NT6220Z
NTU6222ZV	23,70	1	115V 60Hz 1 ~	CSR	HST	HBP	2965	2,96	2882	2,83	55	-	1322	1703	2138	2633	3185	18,3	250	70,0	F	520	650	POE 22	C/V	DWG19	SM26	NTU6222ZV
NTU6222ZV	23,70	1	208-230V 60Hz 1 ~	CSR	HST	HBP	2944	3,04	2893	2,91	45	1206	1575	2002	2490	3041	3654	18,3	250	35,0	F	520	650	POE 22	C/V	DWG19	SM26	NTU6222ZV
NJ6220Z	26,10	1	208-230V 60Hz 1 ~	CSIR	HST	HBP	2664	2,24	2391	2,01	55	-	955	1292	1687	2138	2644	20,3	265	42,0	F	800	750	POE 22	C/V	DWG14	SM14	NJ6220Z
NJ6220ZX	26,10	1	380-420V 50Hz / 440-480V 60Hz 3 ~	3PHASE	HST	HBP	2980	2,92	2674	2,62	45	882	1226	1625	2077	2582	3138	19,6	265	10,0	F	800	750	POE 22	C/V	DWG14	SM18	NJ6220ZX
NTU6224ZV	27,80	1 1/4	115V 60Hz 1 ~	CSR	HST	HBP	3471	2,82	3355	2,70	55	-	1169	1560	1989	2457	2962	18,1	250	78,0	F	520	650	POE 22	C/V	DWG19	SM26	NTU6224ZV
NTU6224ZV	27,80	1 1/4	208-230V 60Hz 1 ~	CSR	HST	HBP	3391	2,87	3412	2,70	45	1458	1881	2359	2898	3499	4167	18,1	250	46,0	F	520	650	POE 22	C/V	DWG19	SM26	NTU6224ZV
NJ6226Z	34,40	1 1/4	208-230V 60Hz 1 ~	CSR	HST	HBP	3261	2,26	2927	2,03	55	-	1268	1680	2149	2673	3254	19,9	253	40,0	F	800	750	POE 22	C/V	DWG14	SM17	NJ6226Z
NJ6226ZX	34,40	1 1/4	380-420V 50Hz / 440-480V 60Hz 3 ~	3PHASE	HST	HBP	3482	2,51	3125	2,25	45	1227	1621	2073	2583	3150	3772	20,2	265	13,0	F	800	750	POE 22	C/V	DWG14	SM18	NJ6226ZX

R134a • HBP - M/HBP - L/M/HBP • 60Hz - BR portfolio

MODEL	DISPL. cm³	HP	VOLTAGE/FREQUENCY	MOTOR TYPE	TORQUE	APPL.	RATED POINT ASHRAE 7,2 °C / 54,4 °C		COOLING CAPACITY ASHRAE HBP32						WEIGHT kg	MAX HEIGHT mm	LRA A	COOL. TYPE	FAN AIR FLOW m³/h	OIL CHARGE cm³	OIL TYPE	EXP. DEVICE	DRAWINGS		MODEL
							CAPACITY W	EFFICIENCY W/W	COND. TEMP. °C	EVAPORATING TEMPERATURE °C W													EXTERNAL VIEW REF.	WIRING DIAGRAM REF.	
										-5	0	5	10	15											
EM20HHR	2,27	1/12	220-240V 50/60Hz 1 ~	RSIR/CSIR	LST	L/M/HBP	292	2,48	55	161	202	252	312	382	6,8	158	6,5	S/F	520	160	POE 22	C	DWG10	SM07	EM20HHR
EMIS20HHR	2,27	1/12	220V 60Hz 1 ~	RSIR/CSIR	LST	L/M/HBP	308	2,36	55	178	226	281	345	417	6,8	158	9,1	S/F	520	160	POE 22	C	DWG10	SM07	EMIS20HHR
EMIS20HHR	2,27	1/12	115-127V 60Hz 1 ~	RSIR/CSIR	LST	L/M/HBP	308	2,49	55	168	215	271	337	414	6,8	158	11,6	S/F	520	160	POE 22	C	DWG10	SM07	EMIS20HHR
EMIS30HHR	3,00	1/10	220V 50/60Hz 1 ~	RSIR/CSIR	LST	L/M/HBP	434	2,68	55	251	314	387	473	572	6,8	158	9,0	S/F	520	160	POE 22	C	DWG10	SM07	EMIS30HHR
EMIS30HHR	3,00	1/10	115-127V 60Hz 1 ~	RSIR/CSIR	LST	L/M/HBP	434	2,67	55	251	313	385	468	562	6,8	158	16,0	S/F	520	160	POE 22	C	DWG10	SM07	EMIS30HHR
EM45HHR	3,77	1/6	115-127V 60Hz 1 ~	RSIR/CSIR	LST	L/M/HBP	520	2,53	55	310	381	463	559	669	7,2	166	17,0	S/F	520	160	POE 22	C	DWG10	SM07	EM45HHR
EM55HHR	4,60	1/6	220-240V 50/60Hz 1 ~	RSIR	LST	HBP	630	2,60	55	378	472	581	703	840	7,6	171	9,5	F	520	160	POE 22	C	DWG10	SM07	EM55HHR
EM55HHR	4,60	1/6	115V 60Hz 1 ~	RSIR	LST	HBP	630	2,52	55	366	456	562	684	821	7,6	171	24,5	F	520	160	POE 22	C	DWG10	SM07	EM55HHR
EM65HHR	5,54	1/5	220V 50/60Hz 1 ~	RSIR/CSIR	LST	M/HBP	766	2,55	55	474	582	707	847	1003	7,2	171	13,9	F	520	160	POE 22	C	DWG10	SM07	EM65HHR
FF7,5HBK	6,92	1/4	220-240V 50/60Hz 1 ~	RSIR/CSIR	LST	L/M/HBP	850	2,29	55	499	618	755	912	1089	10,7	195	16,7	S	-	280	POE 22	C	DWG09	SM08	FF7,5HBK
FF8,5HBK	7,95	1/4	220V 60Hz 1 ~	RSIR/CSIR	LST	L/M/HBP	920	2,24	55	552	688	847	1031	1243	10,9	195	18,5	S/F	520	280	POE 22	C	DWG09	SM08	FF8,5HBK
FFI12HBX	11,14	1/2	220V 60Hz 1 ~	CSIR	HST	L/M/HBP	1553	2,28	55	903	1119	1364	1641	1950	11,5	201	26,5	F	520	280	POE 22	C/V	DWG09	SM08	FFI12HBX



R404A/R507/R452A • LBP • 50Hz - EU portfolio

MODEL	DISPL. cm³	HP	VOLTAGE/FREQUENCY	MOTOR TYPE	TORQUE	APPL.	RATED POINT ASHRAE -23,3 °C / 54,4 °C		RATED POINT EN12900 -35 °C / 40 °C		COOLING CAPACITY EN12900							WEIGHT kg	MAX HEIGHT A mm	LRA A	COOL. TYPE	FAN AIR FLOW m³/h	OIL CHARGE cm³	OIL TYPE	EXP. DEVICE	DRAWINGS		MODEL	
							CAPACITY W	EFFICIENCY W/W	CAPACITY W	EFFICIENCY W/W	COND. TEMP. °C	EVAPORATING TEMPERATURE °C														EXTERNAL VIEW REF.	WIRING DIAGRAM REF.		
												-40	-35	-30	-25	-20	-15												-10
EMT2117GK	4,50	1/4	220-240V 50HZ 1~	CSIR	HST	LBP	244	1,35	141	1,09	55	-	-	127	166	211	264	326	7,8	166	7,7	S	-	180	POE 22	C/V	DWG01	SM05	EMT2117GK
EMT2121GK	5,20	1/3	220-240V 50HZ 1~	CSIR	HST	LBP	300	1,40	174	1,12	45	91	125	164	210	265	330	408	7,8	166	8,5	F	270	180	POE 22	C/V	DWG01	SM05	EMT2121GK
EMT2125GK	5,96	1/3	220-240V 50HZ 1~	CSIR	HST	LBP	351	1,40	204	1,15	45	120	159	204	258	322	398	487	7,8	166	9,8	F	520	180	POE 22	C/V	DWG01	SM05	EMT2125GK
EMT2130GK	6,76	1/3	220-240V 50HZ 1~	CSIR	HST	LBP	390	1,34	222	1,08	45	140	185	238	301	373	462	562	8,0	171	12,1	F	520	180	POE 22	C/V	DWG01	SM05	EMT2130GK
NEK2134GK	8,78	1/2	220-240V 50HZ 1~	CSIR	HST	LBP	464	1,30	253	1,00	45	150	200	257	326	406	500	605	11,0	200	16,1	F	520	350	POE 22	C/V	DWG03	SM05	NEK2134GK
NEK2134GK	8,78	1/2	100V 50/60HZ 1~	CSIR	HST	LBP	448	1,19	235	0,86	45	170	227	302	394	501	621	753	11,6	206	34,0	F	520	350	POE 22	C/V	DWG04	SM04	NEK2134GK
NEK2134GK	8,78	1/2	100V 50/60HZ 1~	CSR	HST	LBP	452	1,28	237	0,93	45	169	225	297	332	487	606	741	11,6	206	34,0	F	520	350	POE 22	C/V	DWG04	SM06	NEK2134GK
NEU2140GK	8,78	1/2	220-240V 50HZ 1~	CSIR	HST	LBP	486	1,36	275	1,13	45	183	246	326	421	531	658	801	10,6	200	13,5	F	520	350	POE 22	C/V	DWG03	SM05	NEU2140GK
NEU2140GK	8,78	1/2	200-230V 50HZ / 208-230V 60HZ 1~	CSIR	HST	LBP	480	1,34	270	1,11	45	-	-	-	-	-	-	11,2	200	18,0	F	520	350	POE 22	C/V	DWG03	SM05	NEU2140GK	
NEK2150GK	12,12	3/4	220-240V 50HZ 1~	CSIR	HST	LBP	616	1,24	346	0,98	45	235	313	408	522	657	814	995	11,6	206	19,5	F	520	350	POE 22	C/V	DWG03	SM05	NEK2150GK
NEK2150GK	12,12	1/2	100V 50/60HZ 1~	CSR	HST	LBP	581	1,14	304	0,80	45	212	286	381	429	634	791	969	11,6	206	44,0	F	520	350	POE 22	C/V	DWG04	SM06	NEK2150GK
NEU2155GK	12,12	3/4	220-240V 50HZ 1~	CSIR	HST	LBP	658	1,32	368	1,08	45	246	328	432	557	705	875	1067	11,1	206	18,0	F	520	350	POE 22	C/V	DWG03	SM05	NEU2155GK
NEK2168GK	14,30	3/4	220-240V 50HZ 1~	CSIR	HST	LBP	688	1,13	360	0,95	45	259	345	454	587	742	921	1123	11,6	206	24,0	F	520	350	POE 22	C/V	DWG03	SM05	NEK2168GK
NEK2168GK	14,30	3/4	220-240V 50HZ 1~	CSR	HST	LBP	707	1,28	380	0,97	45	263	353	466	605	767	955	1166	11,6	206	24,0	F	520	350	POE 22	C/V	DWG03	SM06	NEK2168GK
NEU2168GK	14,30	3/4	220-240V 50HZ 1~	CSIR	HST	LBP	744	1,27	416	1,08	45	271	372	496	642	810	1000	1213	11,6	206	22,0	F	520	350	POE 22	C/V	DWG03	SM05	NEU2168GK
NEU2168GK	14,30	3/4	220-240V 50HZ 1~	CSR	HST	LBP	776	1,44	437	1,21	45	293	391	514	664	838	1038	1264	11,6	206	22,0	F	520	350	POE 22	C/V	DWG03	SM06	NEU2168GK
NT2168GK	14,50	3/4	200-240V 50HZ / 230V 60HZ 1~	CSIR	HST	LBP	642	1,28	354	1,03	45	206	310	423	549	698	875	1089	17,0	220	25,0	F	520	450	POE 22	C/V	DWG16	SM19	NT2168GK
NT2168GK	14,50	3/4	200-240V 50HZ / 230V 60HZ 1~	CSR	HST	LBP	642	1,28	354	1,03	45	206	310	423	549	698	875	1089	17,0	220	25,0	F	520	450	POE 22	C/V	DWG16	SM23	NT2168GK
NEK2172GK	16,80	3/4	220V 50HZ 1~	CSR	HST	LBP	824	1,27	461	1,04	45	312	420	553	711	894	1103	1336	11,8	206	26,0	F	520	350	POE 22	C/V	DWG03	SM06	NEK2172GK
NEU2178GK	16,80	1	220-240V 50HZ 1~	CSR	HST	LBP	914	1,42	501	1,14	45	334	447	586	753	947	1168	1416	11,6	206	21,0	F	520	350	POE 22	C/V	DWG03	SM06	NEU2178GK
NT2178GK	17,40	3/4	220-240V 50HZ 1~	CSIR	HST	LBP	782	1,30	416	0,98	45	273	373	502	659	844	1057	1297	17,0	220	25,0	F	520	450	POE 22	C/V	DWG16	SM19	NT2178GK
NT2178GK	17,40	3/4	220-240V 50HZ 1~	CSR	HST	LBP	802	1,42	420	0,91	45	257	375	513	671	854	1062	1300	17,0	220	25,0	F	520	450	POE 22	C/V	DWG16	SM23	NT2178GK
NT2178GK	17,40	3/4	200-240V 50HZ / 230V 60HZ 1~	CSIR	HST	LBP	800	1,15	419	0,89	45	283	396	526	676	853	1056	1290	17,0	220	26,0	F	520	450	POE 22	C/V	DWG16	SM19	NT2178GK
NT2178GK	17,40	3/4	200-240V 50HZ / 230V 60HZ 1~	CSR	HST	LBP	854	1,47	447	1,14	45	283	396	526	676	853	1056	1290	17,0	220	26,0	F	520	450	POE 22	C/V	DWG16	SM23	NT2178GK
NT2178GK	17,40	3/4	100V 50/60HZ 1~	CSR	HST	LBP	812	1,30	425	0,98	45	292	394	525	685	878	1105	1372	17,0	220	25,0	F	520	450	POE 22	C/V	DWG16	SM23	NT2178GK
NT2180GK	20,40	1	220-240V 50HZ 1~	CSIR	HST	LBP	935	1,25	490	0,95	45	323	453	604	778	977	1203	1458	17,4	234	35,0	F	520	450	POE 22	C/V	DWG16	SM19	NT2180GK
NT2180GK	20,40	1	220-240V 50HZ 1~	CSR	HST	LBP	935	1,36	530	1,05	45	332	468	625	814	1034	1286	1573	17,4	234	35,0	F	520	450	POE 22	C/V	DWG16	SM23	NT2180GK
NT2192GK	22,40	1	220-240V 50HZ 1~	CSIR	HST	LBP	1053	1,30	551	1,03	45	373	506	669	865	1100	1375	1693	17,5	234	35,0	F	520	450	POE 22	C/V	DWG16	SM19	NT2192GK
NT2192GK	22,40	1	220-240V 50HZ 1~	CSR	HST	LBP	1089	1,47	568	1,06	45	367	505	672	869	1100	1366	1669	17,5	234	35,0	F	520	450	POE 22	C/V	DWG16	SM23	NT2192GK
NT2192GS	22,40	1	200V 50/60HZ 3~	3PHASE	HST	LBP	1049	1,35	549	1,07	45	364	504	673	872	1106	1378	1690	18,3	250	28,0	F	520	650	POE 22	C/V	DWG17	SM27	NT2192GS
NJ2192GJ	26,10	1 1/4	220-240V 50HZ 1~	CSR	HST	LBP	1126	1,32	585	0,97	45	348	509	705	936	1203	1505	1842	20,4	265	26,0	F	800	750	POE 22	C/V	DWG14	SM16	NJ2192GJ
NJ2192GS	26,10	1 1/4	380-420V 50HZ / 440-480V 60HZ 3~	3PHASE	HST	LBP	1128	1,23	591	0,85	45	320	516	730	968	1235	1533	1868	19,7	265	15,0	F	800	750	POE 22	C/V	DWG14	SM18	NJ2192GS
NT2210GK	26,20	1 1/4	220-240V 50HZ 1~	CSR	HST	LBP	1306	1,40	685	1,06	45	431	597	804	1052	1340	1670	2041	17,9	234	33,0	F	520	450	POE 22	C/V	DWG17	SM26	NT2210GK
NT2212GK	27,80	1 1/2	220-240V 50HZ 1~	CSR	HST	LBP	1373	1,37	719	1,07	45	503	671	876	1125	1421	1770	2174	18,3	250	33,0	F	520	650	POE 22	C/V	DWG17	SM26	NT2212GK
NJ2212GJ	34,40	1 1/2	220-240V 50HZ 1~	CSR	HST	LBP	1546	1,33	809	1,06	45	472	694	961	1276	1637	2041	2487	21,5	277	36,0	F	800	750	POE 22	C/V	DWG14	SM16	NJ2212GJ
NJ2212GS	34,40	1 1/2	380-420V 50HZ / 440-480V 60HZ 3~	3PHASE	HST	LBP	1481	1,30	775	0,87	45	361	615	901	1228	1605	2039	2538	20,4	277	13,0	F	800	750	POE 22	C/V	DWG14	SM18	NJ2212GS

Note: Return gas temperature in EN12900 conditions for EM and NE series is 32°C for NT and NJ series is 20°C

R404A/R507/R452A • LBP • 60Hz - EU portfolio

MODEL	DISPL. cm ³	HP	VOLTAGE/FREQUENCY	MOTOR TYPE	TORQUE	APPL.	RATED POINT ASHRAE -23,3 °C / 54,4 °C		RATED POINT ARI 540 -23,3 °C / 48,9 °C		COOLING CAPACITY ARI 540							WEIGHT kg	MAX HEIGHT A mm	LRA A	COOL. TYPE	FAN AIR FLOW m ³ /h	OIL CHARGE cm ³	OIL TYPE	EXP. DEVICE	DRAWINGS		MODEL	
							CAPACITY W	EFFICIENCY W/W	CAPACITY W	EFFICIENCY W/W	COND. TEMP. °C	EVAPORATING TEMPERATURE °C														EXTERNAL VIEW REF.	WIRING DIAGRAM REF.		
												-40	-35	-30	-25	-20	-15												-10
NEK2117GK	4,52	1/4	115V 60HZ 1 ~	CSIR	HST	LBP	287	1,19	211	0,89	55	-	-	119	154	195	243	296	10,4	187	28,5	F	520	350	POE 22	C/V	DWG04	SM04	NEK2117GK
											45	92	117	151	197	251	312	379											
NEK2121GK	5,45	1/3	115V 60HZ 1 ~	CSIR	HST	LBP	355	1,24	261	0,92	55	-	-	149	191	240	296	359	10,4	187	26,5	F	520	350	POE 22	C/V	DWG04	SM04	NEK2121GK
											45	118	151	193	245	306	376	454											
NEK2125GK	6,20	1/3	115V 60HZ 1 ~	CSIR	HST	LBP	427	1,32	314	0,99	55	-	-	183	231	287	350	420	10,4	187	26,5	F	520	350	POE 22	C/V	DWG04	SM04	NEK2125GK
											45	141	179	228	288	359	440	530											
NEK2134GK	8,78	1/2	100V 50/60HZ 1 ~	CSIR	HST	LBP	529	1,24	387	0,93	55	-	-	218	284	357	448	544	11,5	206	34,0	F	520	350	POE 22	C/V	DWG04	SM04	NEK2134GK
											45	161	224	292	382	482	589	706											
NEK2134GK	8,78	1/2	100V 50/60HZ 1 ~	CSR	HST	LBP	533	1,33	391	1,00	55	-	-	219	286	362	447	539	11,5	206	34,0	F	520	350	POE 22	C/V	DWG04	SM06	NEK2134GK
											45	171	222	291	369	469	582	697											
NEK2134GK	8,78	1/2	208-230V 60HZ 1 ~	CSIR	HST	LBP	544	1,30	400	0,97	55	-	-	223	290	368	457	554	11,6	206	20,0	F	520	350	POE 22	C/V	DWG04	SM04	NEK2134GK
											45	164	220	290	375	472	583	707											
NEK2134GK	8,78	1/2	115V 60HZ 1 ~	CSIR	HST	LBP	571	1,32	420	0,99	55	-	-	236	307	387	476	573	11,0	200	37,5	F	520	350	POE 22	C/V	DWG04	SM04	NEK2134GK
											45	173	231	303	387	485	594	714											
NEU2140GK	8,78	1/2	115-127V 60HZ 1 ~	CSIR	HST	LBP	564	1,34	409	0,99	55	-	-	240	317	407	512	630	11,3	200	30,0	F	520	350	POE 22	C/V	DWG04	SM04	NEU2140GK
											45	175	238	318	413	525	653	797											
NEU2140GK	8,78	1/2	115-127V 60HZ 1 ~	CSR	HST	LBP	573	1,45	414	1,07	55	-	-	244	323	415	520	639	11,3	200	30,0	F	520	350	POE 22	C/V	DWG04	SM06	NEU2140GK
											45	178	240	320	418	534	667	818											
NEU2140GK	8,78	1/2	200-230V 50HZ / 208-230V 60HZ 1 ~	CSIR	HST	LBP	568	1,36	409	0,99	55	-	-	-	-	-	-	-	11,2	200	18	F	520	350	POE 22	C/V	DWG03	SM05	NEU2140GK
											45	-	-	-	-	-	-	-											
NEK2150GK	12,12	1/2	208-230V 60HZ 1 ~	CSIR	HST	LBP	692	1,18	509	0,89	55	-	-	288	371	468	580	706	11,6	206	20,0	F	520	350	POE 22	C/V	DWG04	SM04	NEK2150GK
											45	235	297	379	481	603	744	902											
NEK2150GK	12,12	1/2	100V 50/60HZ 1 ~	CSR	HST	LBP	696	1,31	512	0,98	55	-	-	285	372	472	586	711	11,6	206	20,0	F	520	350	POE 22	C/V	DWG04	SM06	NEK2150GK
											45	213	283	374	482	607	747	901											
NEK2150GK	12,12	1/2	115V 60HZ 1 ~	CSIR	HST	LBP	717	1,22	527	0,92	55	-	-	298	385	486	599	725	11,6	206	41,5	F	520	350	POE 22	C/V	DWG04	SM04	NEK2150GK
											45	231	300	389	496	622	766	927											
NEK2150GK	12,12	1/2	115V 60HZ 1 ~	CSR	HST	LBP	731	1,34	536	1,01	55	-	-	325	423	538	669	818	11,6	206	41,5	F	520	350	POE 22	C/V	DWG04	SM06	NEK2150GK
											45	250	324	421	541	683	848	1036											
NEU2155GK	12,12	3/4	115-127V 60HZ 1 ~	CSIR	HST	LBP	763	1,30	559	0,99	55	-	-	332	435	553	687	836	11,3	206	40,0	F	520	350	POE 22	C/V	DWG04	SM04	NEU2155GK
											45	240	326	434	564	715	888	1083											
NEU2155GK	12,12	3/4	115-127V 60HZ 1 ~	CSR	HST	LBP	774	1,42	563	1,07	55	-	-	331	437	562	707	870	11,3	206	40,0	F	520	350	POE 22	C/V	DWG04	SM06	NEU2155GK
											45	240	326	435	567	723	901	1104											
NEU2155GK	12,12	3/4	208-230V 60HZ 1 ~	CSIR	HST	LBP	771	1,29	560	0,99	55	-	-	-	-	-	-	-	11,2	206	23,0	F	520	350	POE 22	C/V	DWG04	SM04	NEU2155GK
											45	-	-	-	-	-	-	-											
NEU2155GK	12,12	3/4	208-230V 60HZ 1 ~	CSR	HST	LBP	784	1,45	570	1,03	55	-	-	-	-	-	-	-	11,2	206	23,0	F	520	350	POE 22	C/V	DWG04	SM06	NEU2155GK
											45	-	-	-	-	-	-	-											
NEK2168GK	14,30	3/4	115V 60HZ 1 ~	CSR	HST	LBP	833	1,34	577	0,95	55	-	-	334	443	569	714	875	11,6	206	46,0	F	520	350	POE 22	C/V	DWG04	SM06	NEK2168GK
											45	244	336	449	585	741	920	1119											
NEK2168GK	14,30	3/4	208-230V 60HZ 1 ~	CSR	HST	LBP	816	1,29	584	0,94	55	-	-	343	456	589	740	911	11,6	206	27,0	F	520	350	POE 22	C/V	DWG04	SM06	NEK2168GK
											45	244	333	448	588	753	943	1159											
NEU2168GK	14,30	3/4	115-127V 60HZ 1 ~	CSR	HST	LBP	900	1,42	649	1,05	55	-	-	389	511	655	820	1007	-	206	-	F	520	350	POE 22	C/V	DWG04	SM06	NEU2168GK
											45	285	381	505	655	833	1038	1270											
NEU2168GK	14,30	3/4	208-230V 60HZ 1 ~	CSR	HST	LBP	927	1,44	673	1,03	55	-	-	-	-	-	-	-	11,6	206	29,0	F	520	350	POE 22	C/V	DWG04	SM06	NEU2168GK
											45	-	-	-	-	-	-	-											
NT2168GS	14,50	3/4	200V 50/60HZ 3 ~	3PHASE	HST	LBP	786	1,37	578	0,97	55	-	-	290	411	557	710	867	18,2	250	28,5	F	520	650	POE 22	C/V	DWG17	SM27	NT2168GS
											45	145	259	397	542	714	914	1139											
NT2168GK(V)	14,50	3/4	208-230V 60HZ 1 ~	CSIR	HST	LBP	789	1,27	580	0,94	55	-	-	300	420	545	685	838	16,7	220	29,0	F	520	450	POE 22	C/V	DWG16	SM20	NT2168GK(V)
											45	215	309	425	563	722	901	1100											
NT2168GK(V)	14,50	3/4	115V 60HZ 1 ~	CSR	HST	LBP	830	1,41	610	1,03	55	-	-	331	455	599	765	954	17,0	220	54,5	F	520	450	POE 22	C/V	DWG17	SM21	NT2168GK(V)
											45	231	340	470	622	799	1003	1234											
NT2168GK(V)	14,50	3/4	208-230V 60HZ 1 ~	CSR	HST	LBP	838	1,42	616	1,03	55	-	-	305	426	572	746	945	16,7	220	29,0	F	520	450	POE 22	C/V	DWG16	SM23	NT2168GK(V)
											45	219	323	455	614	801	1015	1257											
NEU2178GK	16,80	1	115-127V 60HZ 1 ~	CSR	HST	LBP	1065	1,38	758	1,00	55	-	-	456	595	758	945	1156	11,6	206	-	F	520	350	POE 22	C/V	DWG04	SM06	NEU2178GK
											45	330	443	586	759	96													

...FOLLOW

R404A/R507/R452A • LBP • 60Hz - EU portfolio

MODEL	DISPL. cm ³	HP	VOLTAGE/FREQUENCY	MOTOR TYPE	TORQUE	APPL.	RATED POINT ASHRAE -23,3 °C / 54,4 °C		RATED POINT ARI 540 -23,3 °C / 48,9 °C		COOLING CAPACITY ARI 540								WEIGHT kg	MAX HEIGHT A	LRA A	COOL. TYPE	FAN AIR FLOW m ³ /h	OIL CHARGE cm ³	OIL TYPE	EXP. DEVICE	DRAWINGS		MODEL	
							CAPACITY W	EFFICIENCY W/W	CAPACITY W	EFFICIENCY W/W	COND. TEMP. °C	EVAPORATING TEMPERATURE °C															EXTERNAL VIEW REF.	WIRING DIAGRAM REF.		
												-40	-35	-30	-25	-20	-15	-10												
NT2180GK(V)	20,40	1	115V 60HZ 1 ~	CSR	HST	LBP	1173	1,38	879	1,02	55	-	-	418	563	735	935	1166	17,5	220	66,0	F	520	450	POE 22	C/V	DWG17	SM21	NT2180GK(V)	
NT2192GS	22,40	1	200V 50/60HZ 3 ~	3PHASE	HST	LBP	1220	1,29	897	0,99	45	285	415	572	758	975	1225	1509	18,0	250	28,5	F	520	650	POE 22	C/V	DWG17	SM27	NT2192GS	
NT2192GK(V)	22,40	1	208-230V 60HZ 1 ~	CSR	HST	LBP	1262	1,43	928	1,05	55	-	-	507	667	850	1052	1270	18,0	234	40,0	F	520	450	POE 22	C/V	DWG16	SM23	NT2192GK(V)	
NT2192GK(V)	22,40	1	115V 60HZ 1 ~	CSR	HST	LBP	1283	1,41	943	1,02	45	363	496	665	868	1103	1371	1666	17,5	234	56,0	F	520	450	POE 22	C/V	DWG17	SM21	NT2192GK(V)	
NJ2192GK	26,10	1 1/4	115V 60HZ 1 ~	CSR	HST	LBP	1316	1,30	968	0,96	55	-	-	444	600	783	993	1234	21,7	277	98,0	F	800	750	POE 22	C/V	DWG14	SM16	NJ2192GK	
NJ2192GJ	26,10	1 1/4	208-230V 60HZ 1 ~	CSR	HST	LBP	1399	1,33	970	0,96	45	270	440	624	827	1052	1303	1582	21,8	277	44	F	800	750	POE 22	C/V	DWG14	SM16	NJ2192GJ	
NJ2192GS	26,10	1 1/4	380-420V 50HZ / 440-480V 60HZ 3 ~	3PHASE	HST	LBP	1319	1,24	970	0,90	55	-	-	444	601	782	993	1232	19,7	265	13,0	F	800	750	POE 22	C/V	DWG14	SM18	NJ2192GS	
NT2212GS	27,80	1 1/4	200V 50/60HZ 3 ~	3PHASE	HST	LBP	1571	1,31	1155	0,98	45	411	607	833	1090	1375	1687	2025	18,0	250	36,0	F	520	650	POE 22	C/V	DWG17	SM27	NT2212GS	
NT2212GKV	27,80	1 1/2	115V 60HZ 1 ~	CSR	HST	LBP	1609	1,37	1183	1,00	55	-	-	692	922	1179	1471	1805	18,3	250	93,0	F	520	650	POE 22	C/V	DWG17	SM26	NT2212GKV	
NT2212GK(V)	27,80	1 1/2	208-230V 60HZ 1 ~	CSR	HST	LBP	1673	1,42	1230	1,03	45	462	681	925	1202	1518	1881	2299	18,3	250	45,0	F	520	650	POE 22	C/V	DWG17	SM26	NT2212GK(V)	
NJ2212GK	34,40	1 1/4	115V 60HZ 1 ~	CSR	HST	LBP	1595	1,22	1173	0,90	55	-	-	594	834	1097	1386	1699	21,5	277	86,5	F	800	750	POE 22	C/V	DWG14	SM16	NJ2212GK	
NJ2212GJ	34,40	1 1/4	208-230V 60HZ 1 ~	CSR	HST	LBP	1849	1,25	1183	0,91	45	359	569	819	1109	1441	1819	2241	21,4	277	54	F	800	750	POE 22	C/V	DWG14	SM16	NJ2212GK	
NJ2212GS	34,40	1 1/2	380-420V 50HZ / 440-480V 60HZ 3 ~	3PHASE	HST	LBP	1732	1,30	1273	0,96	55	-	-	561	783	1030	1306	1616	20,4	277	13,0	F	800	750	POE 22	C/V	DWG14	SM18	NJ2212GS	

R404A/R507/R452A • MBP - M/HBP • 50Hz - EU portfolio

MODEL	DISPL. cm ³	HP	VOLTAGE/FREQUENCY	MOTOR TYPE	TORQUE	APPL.	RATED POINT ASHRAE 7,2 °C / 54,4 °C		RATED POINT EN12900 -10 °C / 45 °C		COOLING CAPACITY EN12900								WEIGHT kg	MAX HEIGHT A	LRA A	COOL. TYPE	FAN AIR FLOW m ³ /h	OIL CHARGE cm ³	OIL TYPE	EXP. DEVICE	DRAWINGS		MODEL	
							CAPACITY W	EFFICIENCY W/W	CAPACITY W	EFFICIENCY W/W	COND. TEMP. °C	EVAPORATING TEMPERATURE °C															EXTERNAL VIEW REF.	WIRING DIAGRAM REF.		
												-20	-15	-10	-5	0	5	10												
EMT6144GK	3,97	1/4	220-240V 50HZ 1 ~	CSIR	HST	MBP	679	2,39	378	1,90	55	-	-	303	370	448	535	634	7,8	166	7,7	F	270	180	POE 22	C/V	DWG01	SM05	EMT6144GK	
EMT6152GK	4,50	1/4	220-240V 50HZ 1 ~	CSIR	HST	MBP	758	2,30	424	1,85	45	246	307	377	458	551	656	773	7,8	166	8,5	F	520	180	POE 22	C/V	DWG01	SM05	EMT6152GK	
EMT6165GK	5,20	1/3	220-240V 50HZ 1 ~	CSIR	HST	MBP	877	2,23	484	1,76	55	-	-	339	413	497	593	699	7,8	166	10,4	F	520	180	POE 22	C/V	DWG01	SM05	EMT6165GK	
NEK6165GK	6,20	1/3	220-240V 50HZ 1 ~	CSIR	HST	MBP	966	2,05	542	1,64	45	315	392	482	586	706	840	989	10,4	187	12,4	F	520	350	POE 22	C/V	DWG03	SM05	NEK6165GK	
NEK6181GK	7,28	1/3	220-240V 50HZ 1 ~	CSIR	HST	MBP	1089	2,12	599	1,66	55	-	-	443	533	639	759	895	10,4	187	12,0	F	520	350	POE 22	C/V	DWG03	SM05	NEK6181GK	
NEU6210GK	7,28	1/3	220-240V 50HZ 1 ~	CSIR	HST	MBP	1153	2,30	645	1,76	45	405	491	599	730	882	1057	1252	10,0	206	16,0	F	520	350	POE 22	C/V	DWG03	SM05	NEU6210GK	
NEU6210GK	7,28	1/3	200-230V 50HZ / 208-230V 60HZ 1 ~	CSIR	HST	MBP	UD	UD	UD	UD	-	UD	UD	UD	UD	UD	UD	UD	UD	UD	200	UD	F	520	350	POE 22	C/V	DWG03	SM05	NEU6210GK
NEU6210GK	7,28	1/3	200-230V 50HZ / 208-230V 60HZ 1 ~	CSR	HST	MBP	UD	UD	UD	UD	-	UD	UD	UD	UD	UD	UD	UD	UD	UD	200	UD	F	520	350	POE 22	C/V	DWG03	SM06	NEU6210GK
NEK6210GK	8,78	1/2	220-240V 50HZ 1 ~	CSIR	HST	MBP	1304	2,07	724	1,68	55	-	-	571	698	849	1021	1216	11,0	200	16,1	F	520	350	POE 22	C/V	DWG03	SM05	NEK6210GK	
NEK6210GK	8,78	1/2	100V 50/60 HZ 1 ~	CSIR	HST	MBP	1340	1,98	733	1,46	45	500	598	724	877	1058	1265	1499	11,0	206	38,0	F	520	350	POE 22	C/V	DWG03	SM05	NEK6210GK	
NEU6212GK	8,78	1/2	220-240V 50HZ 1 ~	CSIR	HST	MBP	1438	2,23	792	1,74	55	-	-	586	723	879	1054	1247	11,0	200	19,0	F	520	350	POE 22	C/V	DWG03	SM05	NEU6212GK	
NEU6214GK	10,00	1/2	200-230V 50HZ / 208-230V 60HZ 1 ~	CSIR	HST	MBP	1628	2,27	UD	UD	45	468	589	733	900	1091	1305	1540	11,6	206	26	F	520	350	POE 22	C/V	DWG03	SM05	NEU6214GK	
NEU6214GK	10,00	1/2	200-230V 50HZ / 208-230V 60HZ 1 ~	CSR	HST	MBP	1659	2,50	UD	UD	55	505	638	793	970	1169	1390	1632	11,6	206	26	F	520	350	POE 22	C/V	DWG03	SM06	NEU6214GK	

Note: Return gas temperature in EN12900 conditions for EM and NE series is 32°C for NT and NJ series is 20°C CONTINUE...

...FOLLOW

R404A/R507/R452A • MBP - M/HBP • 50Hz - EU portfolio

MODEL	DISPL. cm ³	HP	VOLTAGE/FREQUENCY	MOTOR TYPE	TORQUE	APPL.	RATED POINT ASHRAE 7,2 °C / 54,4 °C		RATED POINT EN12900 -10 °C / 45 °C		COOLING CAPACITY EN12900							WEIGHT kg	MAX HEIGHT A mm	LRA A	COOL. TYPE	FAN AIR FLOW m ³ /h	OIL CHARGE cm ³	OIL TYPE	EXP. DEVICE	DRAWINGS		MODEL	
							CAPACITY W	EFFICIENCY W/W	CAPACITY W	EFFICIENCY W/W	COND. TEMP. °C	EVAPORATING TEMPERATURE °C														EXTERNAL VIEW REF.	WIRING DIAGRAM REF.		
												-20	-15	-10	-5	0	5												10
NEK6213GK	12,12	1/2	220-240V 50HZ 1 ~	CSIR	HST	MBP	1761	1,85	972	1,46	55	-	-	788	958	1150	1366	1603	11,6	206	19,3	F	520	350	POE 22	C/V	DWG03	SM05	NEK6213GK
											45	666	804	972	1171	1403	1666	1963											
NEU6215GK	12,12	3/4	220-240V 50HZ 1 ~	CSIR	HST	MBP	1862	1,92	1239	1,99	55	-	-	884	1072	1281	1510	1762	11,5	206	22,0	F	520	350	POE 22	C/V	DWG03	SM05	NEU6215GK
											45	717	889	1087	1313	1564	1843	2148											
NEU6215GK	12,12	3/4	220-240V 50HZ 1 ~	CSR	HST	MBP	1929	2,23	1267	2,20	55	-	-	904	1098	1318	1566	1840	11,5	206	22,0	F	520	350	POE 22	C/V	DWG03	SM06	NEU6215GK
											45	728	903	1108	1342	1605	1898	2221											
NT6217GK	12,55	3/4	200-240V 50HZ / 230V 60HZ 1 ~	CSIR	HST	MBP	1819	2,26	820	1,70	55	-	-	732	914	1122	1357	1618	17,0	220	25,0	F	520	450	POE 22	C/V	DWG16	SM19	NT6217GK
											45	602	764	960	1190	1453	1746	2068											
NT6217GK	12,55	3/4	200-240V 50HZ / 230V 60HZ 1 ~	CSR	HST	MBP	1890	2,35	891	1,73	55	-	-	692	878	1095	1339	1381	16,9	220	25,0	F	520	450	POE 22	C/V	DWG16	SM23	NT6217GK
											45	535	691	891	1130	1406	1713	2048											
NEK6217GK	14,30	3/4	220-240V 50HZ 1 ~	CSR	HST	MBP	2075	2,05	1166	1,69	55	-	-	955	1157	1386	1638	1916	11,6	206	21,5	F	520	350	POE 22	C/V	DWG03	SM06	NEK6217GK
											45	777	954	1166	1411	1690	2003	2347											
NEU6220GK	14,30	3/4	220-240V 50HZ 1 ~	CSR	HST	MBP	2291	2,16	1382	1,80	55	-	-	-	-	-	-	-	11,5	206	-	F	520	350	POE 22	C/V	DWG03	SM06	NEU6220GK
											45	-	-	-	-	-	-	-											
NT6220GK	14,50	3/4	200-240V 50HZ / 230V 60HZ 1 ~	CSIR	HST	MBP	2119	2,21	1080	1,67	55	-	-	853	1061	1307	1589	1907	17,0	220	29,5	F	520	450	POE 22	C/V	DWG16	SM19	NT6220GK
											45	678	858	1080	1342	1645	1985	2362											
NT6220GK	14,50	3/4	200-240V 50HZ / 230V 60HZ 1 ~	CSR	HST	MBP	2206	2,37	1096	1,75	55	-	-	861	1067	1305	1574	1876	17,2	220	29,5	F	520	450	POE 22	C/V	DWG16	SM23	NT6220GK
											45	680	870	1096	1358	1657	1993	2365											
NT6222GK	17,40	3/4	200-240V 50HZ / 230V 60HZ 1 ~	CSIR	HST	MBP	2489	2,09	1280	1,62	55	-	-	1025	1275	1557	1869	2210	17,0	220	37,0	F	520	450	POE 22	C/V	DWG16	SM19	NT6222GK
											45	835	1057	1322	1631	1980	2369	2797											
NT6222GK	17,40	3/4	200-240V 50HZ / 230V 60HZ 1 ~	CSR	HST	MBP	2513	2,26	1307	1,70	55	-	-	1040	1294	1583	1903	2247	17,0	220	37,0	F	520	450	POE 22	C/V	DWG16	SM23	NT6222GK
											45	810	1032	1307	1629	1992	2388	2813											
NT6222GK	17,40	3/4	220-240V 50HZ 1 ~	CSIR	HST	MBP	2482	2,02	1287	1,50	55	-	-	995	1233	1520	1850	2222	17,2	220	30,0	F	520	450	POE 22	C/V	DWG16	SM19	NT6222GK
											45	839	1034	1287	1597	1960	2371	2830											
NT6222GK	17,40	3/4	220-240V 50HZ 1 ~	CSR	HST	MBP	2688	2,41	1332	1,63	55	-	-	1038	1276	1551	1866	2226	17,2	220	30,0	F	520	450	POE 22	C/V	DWG16	SM23	NT6222GK
											45	846	1071	1332	1635	1981	2372	2811											
NT6224GK	20,40	1	220-240V 50HZ 1 ~	CSR	HST	MBP	3023	2,38	1573	1,69	55	-	-	1244	1540	1879	2258	2678	17,2	220	29,0	F	520	450	POE 22	C/V	DWG17	SM23	NT6224GK
											45	996	1261	1573	1933	2339	2787	3278											
NTU6232GKV	20,40	1	220-240V 50HZ 1 ~	CSR	HST	MBP	3297	2,86	1757	1,99	55	-	-	1405	1704	2046	2445	2914	18,4	253	37,5	F	520	650	POE 22	C/V	DWG19	SM26	NTU6232GKV
											45	1148	1433	1754	2126	2561	3075	3681											
NJ9226GK	21,70	1	230V 50HZ 1 ~	CSR	HST	M/HBP	3241	2,34	1648	1,70	55	-	-	1255	1581	1944	2340	2766	20,7	265	27,5	F	800	750	POE 22	C/V	DWG14	SM17	NJ9226GK
											45	982	1285	1648	2066	2536	3055	3618											
NJ9226GS	21,70	1	380-420V 50HZ / 440-480V 60HZ 3 ~	3PHASE	HST	M/HBP	3248	2,50	1667	1,79	55	-	-	1278	1609	1980	2389	2838	19,0	265	10,0	F	800	750	POE 22	C/V	DWG14	SM18	NJ9226GS
											45	989	1301	1667	2086	2560	3087	3668											
NT6226GK	22,40	1	220-240V 50HZ 1 ~	CSR	HST	MBP	3355	2,44	1752	1,79	55	-	-	1412	1724	2091	2518	3014	17,5	234	38,0	F	520	450	POE 22	C/V	DWG17	SM21	NT6226GK
											45	1137	1420	1753	2143	2597	3122	3724											
NTU6234GKV	23,70	1 1/4	220-240V 50HZ 1 ~	CSR	HST	MBP	3851	2,82	2091	2,02	55	-	-	1655	2022	2425	2847	3269	18,4	253	37,5	F	520	650	POE 22	C/V	DWG19	SM26	NTU6234GKV
											45	1389	1702	2089	2533	3014	3517	4023											
NJ9232GK	26,10	1 1/2	220-240V 50HZ 1 ~	CSR	HST	M/HBP	4030	2,56	1911	1,63	55	-	-	1414	1817	2271	2771	3315	21,6	277	43,0	F	800	750	POE 22	C/V	DWG14	SM17	NJ9232GK
											45	1093	1470	1911	2413	2973	3588	4255											
NJ9232GS	26,10	1 1/2	380-420V 50HZ / 440-480V 60HZ 3 ~	3PHASE	HST	M/HBP	4030	2,50	1972	1,80	55	-	-	1513	1911	2357	2853	3396	20,4	277	13,0	F	800	750	POE 22	C/V	DWG14	SM18	NJ9232GS
											45	1166	1535	1972	2476	3047	3684	4388											
NTU6238GKV	26,20	1 1/2	220-240V 50HZ 1 ~	CSR	HST	MBP	4212	2,74	2288	2,02	55	-	-	1826	2233	2691	3186	3706	18,4	253	37,5	F	520	650	POE 22	C/V	DWG19	SM26	NTU6238GKV
											45	1523	1854	2282	2794	3376	4016	4700											
NTU6240GKV	27,80	1 1/2	220-240V 50HZ 1 ~	CSR	HST	MBP	4443	2,68	2426	2,01	55	-	-	1940	2358	2837	3372	3959	18,4	253	37,5	F	520	650	POE 22	C/V	DWG19	SM26	NTU6240GKV
											45	1622	1978	2425	2957	3570	4258	5017											
NJ9238GK	32,70	1 1/2	230V 50HZ 1 ~	CSR	HST	M/HBP	4827	2,18	2424	1,59	55	-	-	1895	2323	2804	3347	3958	22,1	277	43,0	F	800	750	POE 22	C/V	DWG14	SM17	NJ9238GK
											45	1507	1939	2424	2970	3583	4272	5044											
NJ9238GS	32,70	1 1/2	380-420V 50HZ / 440-480V 60HZ 3 ~	3PHASE	HST	M/HBP	4839	2,55	2506	1,90	55	-	-	1883	2345	2863	3435	4062	21,7	277	22,0	F	800	750	POE 22	C/V	DWG14	SM18	NJ9238GS
											45	1514	1979	2506	3091	3735	4441	5207											

Note: Return gas temperature in EN12900 conditions for EM and NE series is 32°C for NT and NJ series is 20°C

R404A/R507/R452A • MBP - M/HBP • 60Hz - EU portfolio

MODEL	DISPL. cm ³	HP	VOLTAGE/FREQUENCY	MOTOR TYPE	TORQUE	APPL.	RATED POINT ASHRAE 7,2 °C / 54,4 °C		RATED POINT ARI 540 -6,7 °C / 48,9 °C		COOLING CAPACITY ARI 540							WEIGHT kg	MAX HEIGHT A mm	LRA A	COOL. TYPE	FAN AIR FLOW m ³ /h	OIL CHARGE cm ³	OIL TYPE	EXP. DEVICE	DRAWINGS		MODEL	
							CAPACITY W	EFFICIENCY W/W	CAPACITY W	EFFICIENCY W/W	COND. TEMP. °C	EVAPORATING TEMPERATURE °C W														EXTERNAL VIEW REF.	WIRING DIAGRAM REF.		
												-20	-15	-10	-5	0	5												10
EMT6144GK	4,52	1/4	115V 60HZ 1~	CSIR	HST	MBP	814	2,34	372	1,48	55	-	-	-	-	-	-	7,8	166	18,5	F	270	180	POE 22	C/V	DWG01	SM04*	EMT6144GK	
EMT6144GK	4,52	1/4	208-230V 60HZ 1~	CSIR	HST	MBP	805	2,28	400	1,50	55	-	-	-	-	-	-	7,8	166	9,9	F	270	180	POE 22	C/V	DWG01	SM04*	EMT6144GK	
NEK6144GK	4,52	1/4	115V 60HZ 1~	CSIR	HST	MBP	842	2,14	400	1,28	55	-	-	291	358	435	519	10,0	187	26,0	F	520	350	POE 22	C/V	DWG04	SM04	NEK6144GK	
NEK6144GK	4,52	1/4	208-230V 60HZ 1~	CSIR	HST	MBP	800	2,06	395	1,28	55	238	303	379	467	567	679	10,4	187	26,5	F	520	350	POE 22	C/V	DWG04	SM04	NEK6144GK	
NEK6152GK	5,45	1/4	115V 60HZ 1~	CSIR	HST	MBP	1018	2,09	481	1,22	55	250	316	391	476	573	683	10,2	187	26,0	F	520	350	POE 22	C/V	DWG04	SM04	NEK6152GK	
NEK6152GK	5,45	1/4	208-230V 60HZ 1~	CSIR	HST	MBP	1018	2,09	481	1,22	55	302	375	462	563	678	808	10,2	187	26,0	F	520	350	POE 22	C/V	DWG04	SM04	NEK6152GK	
NEK6165GK	6,20	1/3	115V 60HZ 1~	CSIR	HST	MBP	1150	1,97	552	1,23	55	380	458	555	671	806	958	10,4	187	26,5	F	520	350	POE 22	C/V	DWG04	SM04	NEK6165GK	
NEK6181GK	7,28	1/3	115V 60HZ 1~	CSIR	HST	MBP	1247	2,01	616	1,26	55	418	504	611	738	888	1062	10,4	187	26,5	F	520	350	POE 22	C/V	DWG04	SM04	NEK6181GK	
NEK6181GK	7,28	1/3	115V 60HZ 1~	CSR	HST	MBP	1321	2,33	627	1,34	55	419	513	633	774	933	1106	10,4	187	26,5	F	520	350	POE 22	C/V	DWG04	SM06	NEK6181GK	
NEK6181GK	7,28	1/3	208-230V 60HZ 1~	CSIR	HST	MBP	1290	2,07	610	1,26	55	432	508	616	752	913	1095	10,4	187	17,5	F	520	350	POE 22	C/V	DWG04	SM04	NEK6181GK	
NEU6181GK	7,28	1/3	115-127V 60HZ 1~	CSIR	HST	MBP	UD	UD	UD	UD	55	-	-	-	-	-	-	UD	187	UD	F	520	350	POE 22	C/V	DWG04	SM04	NEU6181GK	
NEU6181GK	7,28	1/3	115-127V 60HZ 1~	CSR	HST	MBP	UD	UD	UD	UD	55	-	-	-	-	-	-	UD	187	UD	F	520	350	POE 22	C/V	DWG04	SM06	NEU6181GK	
NEU6210GK	7,28	1/3	115-127V 60HZ 1~	CSIR	HST	MBP	1428	2,38	698	1,45	55	424	507	634	808	1028	1250	10,6	200	39,0	F	520	350	POE 22	C/V	DWG04	SM04	NEU6210GK	
NEU6210GK	7,28	1/3	115-127V 60HZ 1~	CSR	HST	MBP	1435	2,56	700	1,53	55	428	512	640	812	1028	1252	10,6	200	39,0	F	520	350	POE 22	C/V	DWG04	SM06	NEU6210GK	
NEU6210GK	7,28	1/3	200-230V 50HZ / 208-230V 60HZ 1~	CSIR	HST	MBP	UD	UD	UD	UD	55	-	-	-	-	-	-	UD	200	UD	F	520	350	POE 22	C/V	DWG04	SM04	NEU6210GK	
NEU6210GK	7,28	1/3	200-230V 50HZ / 208-230V 60HZ 1~	CSR	HST	MBP	UD	UD	UD	UD	55	-	-	-	-	-	-	UD	200	UD	F	520	350	POE 22	C/V	DWG04	SM06	NEU6210GK	
NEK6210GK	8,78	1/2	100V 60HZ 1~	CSIR	HST	MBP	1583	2,07	754	1,32	55	499	623	770	939	1130	1343	11,0	206	38,0	F	520	350	POE 22	C/V	DWG04	SM04	NEK6210GK	
NEK6210GK	8,78	1/2	115V 60HZ 1~	CSIR	HST	MBP	1569	2,07	753	1,34	55	511	620	756	918	1105	1317	11,0	200	38,0	F	520	350	POE 22	C/V	DWG04	SM04	NEK6210GK	
NEK6210GK	8,78	1/2	208-230V 60HZ 1~	CSIR	HST	MBP	1540	2,10	750	1,34	55	490	606	745	906	1089	1292	11,5	206	23,0	F	520	350	POE 22	C/V	DWG04	SM04	NEK6210GK	
NEK6210GK	8,78	1/2	115V 60HZ 1~	CSR	HST	MBP	1612	2,30	767	1,43	55	493	618	766	937	1131	1347	11,0	200	38,0	F	520	350	POE 22	C/V	DWG04	SM06	NEK6210GK	
NEU6212GK	8,78	1/2	115-127V 60HZ 1~	CSIR	HST	MBP	1676	2,19	831	1,45	55	528	611	754	958	1222	1546	10,7	200	39,0	F	520	350	POE 22	C/V	DWG04	SM04	NEU6212GK	
NEU6212GK	8,78	1/2	115-127V 60HZ 1~	CSR	HST	MBP	1703	2,39	841	1,56	55	521	616	767	975	1238	1559	10,7	200	39,0	F	520	350	POE 22	C/V	DWG04	SM06	NEU6212GK	
NEU6212GK	8,78	1/2	208-230V 60HZ 1~	CSIR	HST	MBP	1678	2,18	842	1,42	55	522	611	759	964	1228	1549	11,5	200	22,0	F	520	350	POE 22	C/V	DWG04	SM04	NEU6212GK	
NEU6212GK	8,78	1/2	208-230V 60HZ 1~	CSR	HST	MBP	1714	2,42	848	1,51	55	516	612	764	972	1236	1556	11,5	200	22,0	F	520	350	POE 22	C/V	DWG04	SM06	NEU6212GK	
NEU6214GK	10,00	1/2	200-230V 50HZ / 208-230V 60HZ 1~	CSIR	HST	MBP	1891	2,12	964	1,47	55	460	564	699	865	1062	1291	11,6	206	26,0	F	520	350	POE 22	C/V	DWG04	SM04	NEU6214GK	
NEU6214GK	10,00	1/2	200-230V 50HZ / 208-230V 60HZ 1~	CSR	HST	MBP	1939	2,4	974	1,57	55	468	560	697	877	1102	1371	11,6	206	26,0	F	520	350	POE 22	C/V	DWG04	SM06	NEU6214GK	
NEU6214GK	10,00	1/2	115-127V 60HZ 1~	CSIR	HST	MBP	1914	2,11	960	1,43	55	491	566	692	870	1099	1379	11,2	206	UD	F	520	350	POE 22	C/V	DWG04	SM04	NEU6214GK	
NEU6214GK	10,00	1/2	115-127V 60HZ 1~	CSR	HST	MBP	1969	2,38	966	1,55	55	479	585	724	897	1104	1344	11,2	206	UD	F	520	350	POE 22	C/V	DWG04	SM06	NEU6214GK	
NEK6213GK	12,12	1/2	115V 60HZ 1~	CSIR	HST	MBP	1952	1,70	1050	1,21	55	634	786	963	1166	1393	1421	11,6	206	51,0	F	520	350	POE 22	C/V	DWG04	SM04	NEK6213GK	
NEK6213GK	12,12	1/2	115V 60HZ 1~	CSR	HST	MBP	2066	1,96	1113	1,33	55	647	804	990	1204	1445	1713	11,6	206	51,0	F	520	350	POE 22	C/V	DWG04	SM06	NEK6213GK	
NEK6213GK	12,12	1/2	208-230V 60HZ 1~	CSIR	HST	MBP	2035	1,84	1039	1,22	55	654	813	998	1207	1438	1693	11,9	206	30,0	F	520	350	POE 22	C/V	DWG04	SM04	NEK6213GK	
NEU6215GK	12,12	3/4	115-127V 60HZ 1~	CSIR	HST	MBP	2209	1,86	1142	1,36	55	736	863	1056	1314	1638	2028	11,6	206	47,0	F	520	350	POE 22	C/V	DWG04	SM04	NEU6215GK	
NEU6215GK	12,12	3/4	115-127V 60HZ 1~	CSR	HST	MBP	2280	2,18	1141	1,49	55	736	882	1082	1338	1648	2012	11,6	206	47,0	F	520	350	POE 22	C/V	DWG04	SM06	NEU6215GK	
NEU6215GK	12,12	3/4	208-230V 60HZ 1~	CSIR	HST	MBP	2243	1,93	1144	1,33	55	710	885	1089	1321	1585	1880	11,6	206	30,0	F	520	350	POE 22	C/V	DWG04	SM04	NEU6215GK	

*valid only for the electrical scheme

...FOLLOW

R404A/R507/R452A • MBP - M/HBP • 60Hz

MODEL	DISPL. cm³	HP	VOLTAGE/FREQUENCY	MOTOR TYPE	TORQUE	APPL.	RATED POINT ASHRAE 7,2 °C / 54,4 °C		RATED POINT ARI 540 -6,7 °C / 48,9 °C		COOLING CAPACITY ARI 540							WEIGHT kg	MAX HEIGHT A mm	LRA A	COOL. TYPE	FAN AIR FLOW m³/h	OIL CHARGE cm³	OIL TYPE	EXP. DEVICE	DRAWINGS		MODEL	
							CAPACITY W	EFFICIENCY W/W	CAPACITY W	EFFICIENCY W/W	EVAPORATING TEMPERATURE °C W															COND. TEMP. °C	EXTERNAL VIEW REF.		WIRING DIAGRAM REF.
											-20	-15	-10	-5	0	5	10												
NEU6215GK	12,12	3/4	208-230V 60HZ 1~	CSR	HST	MBP	2303	2,19	1156	1,44	55	-	-	842	1039	1269	1521	1789	11,6	206	30,0	F	520	350	POE 22	C/V	DWG04	SM06	NEU6215GK
											45	723	871	1073	1319	1603	1915	2246											
NT6217GK(V)	12,55	3/4	208-230V 60HZ 1~	CSIR	HST	MBP	2148	2,13	1070	1,25	55	-	-	791	965	1161	1378	1616	17,0	220	27,0	F	520	450	POE 22	C/V	DWG16	SM20	NT6217GK(V)
											45	655	819	1015	1244	1505	1799	2126											
NT6217GK(V)	12,55	3/4	208-230V 60HZ 1~	CSR	HST	MBP	2238	2,60	1115	1,53	55	-	-	846	1041	1260	1503	1769	16,7	220	27,0	F	520	450	POE 22	C/V	DWG16	SM23	NT6217GK(V)
											45	677	851	1060	1304	1582	1896	2244											
NT6217GK(V)	12,55	3/4	115V 60HZ 1~	CSIR	HST	MBP	2163	2,20	1030	1,26	55	-	-	773	949	1153	1384	1641	17,0	220	50,0	F	520	450	POE 22	C/V	DWG16	SM20	NT6217GK(V)
											45	726	819	974	1192	1471	1813	2216											
NT6217GK(V)	12,55	3/4	115V 60HZ 1~	CSR	HST	MBP	2251	2,68	1072	1,54	55	-	-	774	992	1256	1567	1924	16,7	220	50,0	F	520	450	POE 22	C/V	DWG16	SM23	NT6217GK(V)
											45	656	811	1017	1273	1581	1938	2347											
NEU6220GK	14,30	3/4	115-127V 60HZ 1~	CSR	HST	MBP	2592	1,98	1340	1,42	55	668	807	991	1220	1494	1813	2176	11,5	206	57,0	F	520	350	POE 22	C/V	DWG04	SM06	NEU6220GK
											45	851	1026	1258	1545	1887	2286	2740											
NEU6220GK	14,30	3/4	208-230V 60HZ 1~	CSR	HST	MBP	2652	2,07	1358	1,41	55	-	-	997	1229	1520	1880	2320	11,5	206	34,0	F	520	350	POE 22	C/V	DWG04	SM06	NEU6220GK
											45	855	1033	1263	1555	1919	2365	2905											
NT6220GKV	14,50	3/4	208-230V 60HZ 1~	CSIR	HST	MBP	2423	2,00	1247	1,38	55	-	-	955	1165	1400	1663	1957	16,9	220	26,5	F	520	450	POE 22	C/V	DWG16	SM20	NT6220GKV
											45	769	962	1187	1447	1742	2075	2449											
NT6220GKV	14,50	3/4	115V 60HZ 1~	CSR	HST	MBP	2490	2,34	1250	1,52	55	-	-	918	1138	1383	1653	1949	16,7	220	54,5	F	520	450	POE 22	C/V	DWG17	SM21	NT6220GKV
											45	752	966	1208	1477	1773	2097	2448											
NT6220GKV	14,50	3/4	208-230V 60HZ 1~	CSR	HST	MBP	2566	2,36	1283	1,57	55	-	-	936	1186	1482	1825	2214	16,9	220	26,5	F	520	450	POE 22	C/V	DWG16	SM23	NT6220GKV
											45	757	950	1203	1516	1889	2323	2818											
NT6222GK(V)	17,40	3/4	208-230V 60HZ 1~	CSIR	HST	MBP	2928	1,88	1475	1,14	55	-	-	1166	1425	1708	2012	2331	17,2	220	33,7	F	520	450	POE 22	C/V	DWG16	SM20	NT6222GK(V)
											45	952	1185	1462	1779	2129	2506	2905											
NT6222GK(V)	17,40	3/4	208-230V 60HZ 1~	CSR	HST	MBP	3051	2,30	1537	1,40	55	-	-	1185	1459	1766	2100	2459	17,2	220	33,7	F	520	450	POE 22	C/V	DWG16	SM23	NT6222GK(V)
											45	975	1231	1532	1873	2253	2665	3108											
NT6222GK(V)	17,40	3/4	115V 60HZ 1~	CSR	HST	MBP	3040	2,39	1569	1,58	55	-	-	1276	1570	1899	2263	2661	17,0	220	70,0	F	520	450	POE 22	C/V	DWG17	SM21	NT6222GK(V)
											45	988	1273	1598	1964	2370	2816	3303											
NT6224GKV	20,40	1	208-230V 60HZ 1~	CSR	HST	MBP	3512	2,25	1808	1,55	55	-	-	1392	1690	2023	2392	2804	16,8	220	36,0	F	520	450	POE 22	C/V	DWG16	SM23	NT6224GKV
											45	1134	1409	1724	2083	2488	2940	3447											
NT6224GKV	20,40	1	115V 60HZ 1~	CSR	HST	MBP	3612	2,30	1859	1,55	55	-	-	1399	1714	2068	2460	2893	16,9	234	77,0	F	520	450	POE 22	C/V	DWG16	SM21	NT6224GKV
											45	1144	1419	1744	2120	2543	3014	3533											
NTU6232GKV	20,40	1	200-230V 60HZ 3~	3PHASE	HST	MBP	3966	2,77	2035	1,76	55	-	-	1504	1846	2231	2645	3100	18,4	250	36,0	F	520	650	POE 22	C/V	DWG19	SM27	NTU6232GKV
											45	1264	1595	1966	2387	2863	3407	3950											
NTU6232GKV	20,40	1	115V 60HZ 1~	CSR	HST	MBP	4060	2,77	2090	1,76	55	-	-	1298	1612	1959	2339	2751	18,1	250	93,0	F	520	650	POE 22	C/V	DWG19	SM26	NTU6232GKV
											45	1261	1604	1989	2415	2884	3394	3947											
NTU6232GKV	20,40	1	208-230V 60HZ 1~	CSR	HST	MBP	4032	2,84	2101	1,73	55	-	-	1561	1907	2278	2670	3090	18,1	250	46,0	F	520	650	POE 22	C/V	DWG19	SM26	NTU6232GKV
											45	1232	1589	1998	2439	2906	3420	3970											
NJ9226GK	21,70	1	208-230V 60HZ 1~	CSR	HST	M/HBP	3708	2,20	2742	2,19	55	-	-	1364	1718	2110	2542	3013	20,7	265	34,0	F	800	750	POE 22	C/V	DWG14	SM17	NJ9226GK
											45	1088	1391	1754	2176	2655	3189	3780											
NJ9226GS	21,70	1	380-420V 50HZ / 440-480V 60HZ 3~	3PHASE	HST	M/HBP	3801	2,50	2811	2,38	55	-	-	1236	1554	1911	2307	2743	19,0	265	10,0	F	800	750	POE 22	C/V	DWG14	SM18	NJ9226GS
											45	947	1223	1556	1942	2382	2873	3419											
NT6226GK(V)	22,40	1	115V 60HZ 1~	CSR	HST	MBP	3884	2,12	1942	1,41	55	-	-	1468	1811	2218	2688	3221	17,5	234	77,0	F	520	450	POE 22	C/V	DWG17	SM26	NT6226GK(V)
											45	1244	1512	1858	2281	2782	3361	4019											
NT6226GK(V)	22,40	1	208-230V 60HZ 1~	CSR	HST	MBP	3734	1,93	2009	1,48	55	-	-	1493	1822	2189	2595	3039	17,5	234	43	F	520	450	POE 22	C/V	DWG17	SM22	NT6226GK(V)
											45	1220	1529	1886	2292	2745	3246	3796											
NTU6234GKV	23,70	1 1/4	200-230V 60HZ 3~	3PHASE	HST	MBP	4524	2,68	2378	1,77	55	-	-	1766	2156	2588	3060	3570	18,3	250	36,0	F	520	650	POE 22	C/V	DWG19	SM27	NTU6234GKV
											45	1492	1875	2306	2789	3326	3910	4530											
NTU6234GKV	23,70	1 1/4	208-230V 60HZ 1~	CSR	HST	MBP	4688	2,77	2477	1,73	55	-	-	2237	2685	3175	3705	4290	18,1	250	46,0	F	520	650	POE 22	C/V	DWG19	SM26	NTU6234GKV
											45	1945	2400	2905	3459	4065	4720	5420											
NJ9232GK	26,10	1 1/4	208-230V 60HZ 1~	CSR	HST	M/HBP	4704	2,40	3479	2,36	55	-	-	1695	2137	2636	3190	3802	21,5	277	40,0	F	800	750	POE 22	C/V	DWG14	SM17	NJ9232GK
											45	1293	1672	2131	2669	3284	3971	4737											
NJ9232GS	26,10	1 1/4	380-420V 50HZ / 440-480V 60HZ 3~	3PHASE	HST	M/HBP	4716	2,50	3488	2,47	55	-	-	1464	1845	2276	2754	3282	20,4	277	13,0	F	800	750	POE 22	C/V	DWG14	SM18	NJ9232GS
											45	1116	1444	1840	2305	2835	3429	4090											
NTU6238GKV	26,20	1 1/2	200-230V 60HZ 3~	3PHASE	HST	MBP	4952	2,56	2635	1,73	55	-	-	1978	2395	2846	3340	3880	18,3	250	36,0	F	520	650	POE 22	C/V	DWG19	SM27	NTU6238GKV
											45	1671	2092	2561	3078	3640	4250	4905											
NTU6238GKV	26,20	1 1/2	208-230V 60HZ 1~	CSR	HST	MBP	5154	2,70	2748	1,74	55	-	-	1976	2408	2948	3510	4140	18,3	250	51,0	F	520	650	POE 22	C/V	DWG19	SM26	NTU6238GKV
											45	1726	2167	2626	3150	3788	4450	5195											
NTU6240GKV	27,80	1 1/2	208-230V 60HZ 1~	CSR	HST	MBP	5368	2,60	2860	1,71	55	-	-	2065	2485	3035													

R290 • LBP - L/MBP • 50Hz - EU portfolio

MODEL	DISPL. cm ³	HP	VOLTAGE/FREQUENCY	MOTOR TYPE	TORQUE	APPL.	RATED POINT ASHRAE -23,3 °C / 54,4 °C		RATED POINT EN12900 -35 °C / 40 °C		COOLING CAPACITY EN12900							WEIGHT kg	MAX HEIGHT mm	LRA A	COOL. TYPE	FAN AIR FLOW m ³ /h	OIL CHARGE cm ³	OIL TYPE	EXP. DEVICE	DRAWINGS		MODEL	
							CAPACITY W	EFFICIENCY W/W	CAPACITY W	EFFICIENCY W/W	COND. TEMP. °C	EVAPORATING TEMPERATURE °C W														EXTERNAL VIEW REF.	WIRING DIAGRAM REF.		
												-40	-35	-30	-25	-20	-15												-10
EMT1117U	4,50	1/5	220-240V 50HZ 1 ~	RSCR	LST	LBP	208	1,47	123	1,18	55	-	-	120	155	195	242	296	7,8	166	7,1	S	-	180	POE 22	C	DWG01	SM01	EMT1117U
EMT2117U	4,50	1/5	220-240V 50HZ 1 ~	CSIR	HST	LBP	184	1,37	123	1,13	55	85	112	145	184	230	283	345	7,8	166	7,7	S	-	180	POE 22	C	DWG01	SM05	EMT2117U
EMC3119U	4,53	1/4	220-240V 50HZ 1 ~	RSCR	LST	L/MBP	236	1,90	112	1,62	55	-	-	-	-	-	-	8,2	171	6,8	F	270	150	POE 10	C	DWG01	SM01-02	EMC3119U	
EMC3121U	5,54	1/4	220-240V 50HZ 1 ~	RSCR	LST	L/MBP	271	1,88	160	1,59	55	-	-	-	-	-	-	8,2	171	6,6	F	270	150	POE 10	C	DWG01	SM01-02	EMC3121U	
EMT2121U	5,57	1/4	220-240V 50HZ 1 ~	CSIR	HST	LBP	265	1,46	159	1,23	55	110	145	188	238	297	364	440	7,8	166	7,7	S	-	180	POE 22	C	DWG01	SM05	EMT2121U
EMT1121U	5,57	1/4	220-240V 50HZ 1 ~	RSCR	LST	LBP	270	1,55	159	1,24	55	110	145	188	238	298	364	440	7,8	166	7,7	S	-	180	POE 22	C	DWG01	SM01	EMT1121U
EMT2125U	5,96	1/3	220-240V 50HZ 1 ~	CSIR	HST	LBP	301	1,47	177	1,20	55	124	162	209	265	330	403	486	7,8	166	9,8	F	520	180	POE 22	C/V	DWG01	SM05	EMT2125U
EMT1125U	5,96	1/3	220-240V 50HZ 1 ~	RSCR	LST	LBP	301	1,53	177	1,24	55	124	162	209	265	330	403	486	7,8	166	9,8	S	-	180	POE 22	C	DWG01	SM01	EMT1125U
EMC3125U	6,09	1/3	220-240V 50HZ 1 ~	RSCR	LST	L/MBP	305	1,88	181	1,60	55	-	-	-	-	-	-	8,2	171	6,6	F	270	150	POE 10	C	DWG01	SM01-02	EMC3125U	
EMT2130U	6,76	1/3	220-240V 50HZ 1 ~	CSIR	HST	LBP	340	1,42	196	1,12	55	137	180	233	295	367	450	543	8,0	166	12,4	F	520	180	POE 22	C/V	DWG01	SM05	EMT2130U
EMT1130U	6,76	1/3	220-240V 50HZ 1 ~	RSCR	LST	LBP	340	1,51	198	1,20	55	138	180	233	295	368	450	542	8,0	171	12,4	F	520	180	POE 22	C	DWG01	SM01	EMT1130U
EMC3130U	6,93	1/3	220-240V 50HZ 1 ~	RSCR	LST	L/MBP	353	1,85	229	1,57	55	-	-	-	-	-	-	8,2	171	-	F	270	150	POE 10	C	DWG01	SM01-02	EMC3130U	
EMC3134U	7,95	1/2	220-240V 50HZ 1 ~	RSCR	LST	L/MBP	405	1,80	301	1,52	55	-	179	229	290	362	446	541	8,2	171	-	F	270	150	POE 10	C	DWG01	SM01-02	EMC3134U
EMTE2134U	9,50	1/2	220-240V 50HZ 1 ~	CSIR	HST	LBP	437	1,44	266	1,28	55	182	251	320	405	507	595	703	8,6	171	14,9	F	520	210	POE 22	C/V	DWG01	SM05	EMTE2134U
NEK2134U	10,00	1/2	220-240V 50HZ 1 ~	CSIR	HST	LBP	449	1,36	271	1,21	55	208	252	315	395	494	611	746	11,0	200	13,1	F	520	350	POE 22	C/V	DWG03	SM05	NEK2134U
NEU1140U	10,00	1/2	220-240V 50HZ 1 ~	RSCR	LST	LBP	490	1,61	270	1,38	55	-	-	-	-	-	-	10,7	200	16,0	F	520	350	POE 22	C/V	DWG03	SM01	NEU1140U	
NEU2140U	10,00	1/2	220-240V 50HZ 1 ~	CSIR	HST	LBP	485	1,49	265	1,26	55	-	-	-	-	-	-	10,5	200	14,0	F	520	350	POE 22	C/V	DWG03	SM05	NEU2140U	
NEK1150U	13,54	1/2	220-240V 50HZ 1 ~	RSIR	LST	LBP	571	1,22	333	0,99	55	237	309	398	506	630	773	933	11,6	206	24,3	F	520	350	POE 22	C	DWG03	SM03	NEK1150U
NEK2150U	13,54	1/2	220-240V 50HZ 1 ~	CSIR	HST	LBP	582	1,31	334	1,06	55	237	309	403	515	650	804	979	11,6	206	19,5	F	520	350	POE 22	C/V	DWG03	SM05	NEK2150U
NEU2155U	13,54	3/4	220-240V 50HZ 1 ~	CSIR	HST	LBP	626	1,42	364	1,21	55	266	345	445	565	704	863	1041	11,1	200	17,5	F	520	350	POE 22	C/V	DWG03	SM05	NEU2155U
NEU2155U	13,54	3/4	220-240V 50HZ 1 ~	CSR	HST	LBP	639	1,56	384	1,35	55	270	351	452	573	715	878	1062	11,1	200	17,5	F	520	350	POE 22	C/V	DWG03	SM06	NEU2155U
NEK2160U	16,80	3/4	220-240V 50HZ 1 ~	CSR	HST	LBP	729	1,44	427	1,20	55	306	395	508	646	808	995	1206	11,9	206	21,0	F	520	350	POE 22	C/V	DWG03	SM06	NEK2160U
NEU2168U	16,80	3/4	220-240V 50HZ 1 ~	CSR	HST	LBP	788	1,53	457	1,27	55	319	416	540	689	865	1068	1296	11,6	206	21,0	F	520	350	POE 22	C/V	DWG03	SM06	NEU2168U
NEU2178U	18,7	UD	220-240V 50HZ 1 ~	CSR	HST	LBP	UD	UD	UD	UD	55	UD	UD	UD	UD	UD	UD	UD	UD	206	UD	F	520	350	POE 22	C/V	DWG03	SM06	NEU2178U
NT2170U	20,4	3/4	220-240V 50HZ 1 ~	CSIR	HST	LBP	816	1,31	478	1,09	55	333	441	577	740	932	1150	1395	18,0	220	25,0	F	520	450	POE 22	C/V	DWG16	SM19	NT2170U
NT2170U	20,4	3/4	220-240V 50HZ 1 ~	CSR	HST	LBP	831	1,44	480	1,16	55	327	441	583	753	951	1176	1430	18,0	220	25,0	F	520	450	POE 22	C/V	DWG16	SM23	NT2170U
NT2180U	22,4	1	220-240V 50HZ 1 ~	CSIR	HST	LBP	931	1,34	550	1,12	55	380	501	653	835	1047	1290	1563	18,2	234	35,0	F	520	450	POE 22	C/V	DWG16	SM19	NT2180U
NT2180U	22,4	1	220-240V 50HZ 1 ~	CSR	HST	LBP	935	1,46	563	1,23	55	388	507	659	844	1062	1312	1595	18,2	234	35,0	F	520	450	POE 22	C/V	DWG16	SM23	NT2180U
NT2210U	27,8	1 1/4	220-240V 50HZ 1 ~	CSR	HST	LBP	1186	1,41	689	1,17	55	482	626	813	1041	1310	1620	1969	18,5	234	33,0	F	520	450	POE 22	C/V	DWG17	SM26	NT2210U

Note: Return gas temperature in EN12900 conditions for EM and NE series is 32°C for NT and NJ series is 20°C

R290 • L/MBP • 50Hz - BR portfolio

MODEL	DISPL. cm ³	HP	VOLTAGE/FREQUENCY	MOTOR TYPE	TORQUE	APPL.	RATED POINT ASHRAE -23,3 °C / 54,4 °C		COOLING CAPACITY ASHRAE LBP										WEIGHT kg	MAX HEIGHT mm	LRA A	COOL. TYPE	FAN AIR FLOW m ³ /h	OIL CHARGE cm ³	OIL TYPE	EXP. DEVICE	DRAWINGS		MODEL	
							CAPACITY W	EFFICIENCY W/W	COND. TEMP. °C	EVAPORATING TEMPERATURE °C W																	EXTERNAL VIEW REF.	WIRING DIAGRAM REF.		
										-35	-30	-25	-20	-15	-10	-5														
EMISOUER	3,00	1/8	220-240V 50/60Hz 1 ~	RSIR/CSIR	LST/HST	L/MBP	128	1,30	55	67	92	119	147	178	212	248	8,1	171	9,2	S/F	520	160	AB 32	C	DWG10	SM07	EMISOUER			
EMI70UER	4,08	1/6	220-240V 50/60Hz 1 ~	RSIR/CSIR	LST/HST	L/MBP	176	1,17	55	98	128	163	203	250	305	368	8,1	171	9,7	S/F	520	160	AB 32	C	DWG10	SM07	EMI70UER			
EMI90UEX	4,99	1/4	220-240V 50Hz 1 ~	CSIR	HST	L/MBP	220	1,28	55	116	185	214	230	262	334	474	8,1	171	11,8	F	520	160	AB 32	C/V	DWG10	SM07	EMI90UEX			
FFU130UAX	6,76	1/3	220-240V 50/60Hz 1 ~	CSIR	HST	L/MBP	312	1,44	55	182	225	287	367	465	578	708	10,0	201	39,0	F	520	280	AB 32	C/V	DWG09	SM08	FFU130UAX			
FFU160UAX	7,95	1/2	220-240V 50Hz 1 ~	CSIR	HST	L/MBP	405	1,49	55	227	298	376	465	568	688	831	10,0	201	21,0	F	520	280	AB 32	C/V	DWG09	SM08	FFU160UAX			

R290 • LBP • 60Hz - EU portfolio

MODEL	DISPL. cm³	HP	VOLTAGE/FREQUENCY	MOTOR TYPE	TORQUE	APPL.	RATED POINT ASHRAE -23,3 °C / 54,4 °C		RATED POINT ARI 540 -23,3 °C / 48,9 °C		COOLING CAPACITY ARI 540							WEIGHT kg	MAX HEIGHT A mm	LRA A	COOL. TYPE	FAN AIR FLOW m³/h	OIL CHARGE cm³	OIL TYPE	EXP. DEVICE	DRAWINGS		MODEL	
							CAPACITY W	EFFICIENCY W/W	CAPACITY W	EFFICIENCY W/W	COND. TEMP. °C	EVAPORATING TEMPERATURE °C W														EXTERNAL VIEW REF.	WIRING DIAGRAM REF.		
												-40	-35	-30	-25	-20	-15												-10
EMC3134U	7,95	UD	115-127V 60HZ 1 ~	RSCR	LST	L/MBP	UD	UD	UD	UD	55 45	-	-	-	-	-	-	-	8,2	171	-	F	270	150	POE 10	C	DWG01	SM01	EMC3134U
NEK2134U	10,00	1/2	115V 60HZ 1~	CSIR	HST	LBP	539	1,39	415	1,1	55 45	194	251	325	415	521	643	780	10,7	200	28,0	F	520	350	POE 22	C/V	DWG04	SM04	NEK2134U
NEU2140U	10,00	1/2	115-127V 60HZ 1 ~	CSIR	HST	LBP	576	1,47	449	1,14	55 45	204	265	344	441	558	692	845	10,0	187	30,0	F	520	350	POE 22	C/V	DWG04	SM04	NEU2140U
NEK2150U	13,54	1/2	115V 60HZ 1~	CSIR	HST	LBP	687	1,25	550	1,02	55 45	248	321	418	537	678	842	1029	11,3	206	41,5	F	520	350	POE 22	C/V	DWG04	SM04	NEK2150U
NEK2150U	13,54	1/2	115V 60HZ 1~	CSR	HST	LBP	708	1,38	554	1,11	55 45	255	332	430	551	693	858	1045	11,3	206	41,5	F	520	350	POE 22	C/V	DWG04	SM06	NEK2150U
NEU2155U	13,54	3/4	115-127V 60HZ 1 ~	CSIR	HST	LBP	758	1,44	600	1,14	55 45	261	347	455	585	738	913	1111	11,0	200	40,0	F	520	350	POE22	C/V	DWG04	SM04	NEU2155U
NEU2155U	13,54	3/4	115-127V 60HZ 1 ~	CSR	HST	LBP	766	1,56	608	1,22	55 45	260	344	455	591	753	941	1153	11,0	200	40,0	F	520	350	POE 22	C/V	DWG04	SM06	NEU2155U
NEU2168U	16,80	3/4	115-127V 60HZ 1 ~	CSR	HST	LBP	950	1,51	748	1,19	55 45	324	426	562	733	938	1178	1453	11,6	206	49,0	F	520	350	POE22	C/V	DWG04	SM06	NEU2168U
NEU2168U	16,80	3/4	208-230V 60HZ 1 ~	CSIR	HST	LBP	911	1,36	736	1,1	55 45	277	362	472	608	769	955	1166	11,6	206	30	F	520	350	POE 22	C/V	DWG04	SM04	NEU2168U
NEU2168U	16,80	3/4	208-230V 60HZ 1 ~	CSR	HST	LBP	933	1,52	748	1,21	55 45	346	447	578	739	931	1153	1406	11,6	206	30	F	520	350	POE 22	C/V	DWG04	SM06	NEU2168U
NT2160U(V)	17,40	3/4	208-230V 60HZ 1 ~	CSIR	HST	LBP	828	1,34	604	1,00	55 45	298	382	492	626	786	971	1179	16,8	220	28,0	F	520	450	POE 22	C/V	DWG16	SM20	NT2160U(V)
NT2160UV	17,40	3/4	115V 60HZ 1~	CSR	HST	LBP	827	1,42	638	1,1	55 45	300	379	490	633	807	1013	1250	16,5	220	54,4	F	520	450	POE 22	C/V	DWG16	SM21	NT2160UV
NEU2178U	18,70	UD	115-127V 60HZ 1 ~	CSR	HST	LBP	UD	UD	UD	UD	55 45	-	-	-	-	-	-	-	UD	206	UD	F	520	350	POE 22	C/V	DWG04	SM06	NEU2178U
NT2170U(V)	20,40	3/4	208-230V 60HZ 1 ~	CSIR	HST	LBP	921	1,3	672	0,98	55 45	325	419	544	698	883	1097	1340	17,0	220	30,0	F	520	450	POE 22	C/V	DWG16	SM20	NT2170U(V)
NT2170UV	20,40	3/4	115V 60HZ 1~	CSR	HST	LBP	970	1,38	772	1,12	55 45	372	474	613	787	997	1243	1525	16,5	220	55,0	F	520	450	POE 22	C/V	DWG17	SM21	NT2170UV
NT2180UV	22,40	1	208-230V 60HZ 1 ~	CSR	HST	LBP	1021	1,41	830	1,12	55 45	396	506	656	845	1074	1341	1648	16,7	220	30,0	F	520	450	POE22	C/V	DWG17	SM26	NT2180UV
NT2180UV	22,40	1	115V 60HZ 1~	CSR	HST	LBP	1048	1,38	832	1,12	55 45	396	509	659	844	1065	1323	1616	16,5	220	54,5	F	520	450	POE 22	C/V	DWG17	SM26	NT2180UV
NT2210UV	27,80	1	208-230V 60HZ 1 ~	CSR	HST	LBP	1281	1,42	1051	1,12	55 45	494	621	798	1024	1301	1627	2003	17,8	234	37,0	F	520	450	POE22	C/V	DWG17	SM26	NT2210UV
NT2210UV	27,80	1 1/4	115V 60HZ 1~	CSR	HST	LBP	1322	1,39	1060	1,11	55 45	514	651	833	1063	1338	1661	2029	17,8	234	67,0	F	520	450	POE 22	C/V	DWG17	SM26	NT2210UV

R290 • L/MBP • 60Hz - BR portfolio

MODEL	DISPL. cm³	HP	VOLTAGE/FREQUENCY	MOTOR TYPE	TORQUE	APPL.	RATED POINT ASHRAE -23,3 °C / 54,4 °C		COOLING CAPACITY ASHRAE LBP							WEIGHT kg	MAX HEIGHT A mm	LRA A	COOL. TYPE	FAN AIR FLOW m³/h	OIL CHARGE cm³	OIL TYPE	EXP. DEVICE	DRAWINGS		MODEL	
							CAPACITY W	EFFICIENCY W/W	COND. TEMP. °C	EVAPORATING TEMPERATURE °C W														EXTERNAL VIEW REF.	WIRING DIAGRAM REF.		
										-35	-30	-25	-20	-15	-10												-5
EM150UER	3,00	1/6	115-127V 60Hz 1 ~	RSIR/CSIR	LST/HST	L/MBP	152	1,37	55	76	103	139	182	232	290	355	8,1	171	12,7	F	520	160	AB 32	C	DWG10	SM07	EM150UER
EM150UER	3,00	1/6	220-240V 50/60 Hz 1 ~	RSIR/CSIR	LST/HST	L/MBP	152	1,37	55	76	103	139	182	232	290	355	8,1	171	9,2	F	520	160	AB 32	C	DWG10	SM07	EM150UER
EM170UER	4,08	1/6	115-127V 60Hz 1 ~	CSIR	LST	L/MBP	205	1,27	55	106	143	191	249	318	397	49	8,1	171	19,6	S/F	520	160	AB 32	C	DWG10	SM07	EM170UER
EM170UER	4,08	1/6	220-240V 50/60 Hz 1 ~	RSIR/CSIR	LST/HST	L/MBP	210	1,3	55	106	143	191	249	318	397	49	8,1	171	9,4	S/F	520	160	AB 32	C	DWG10	SM07	EM170UER
EM190UEX	4,99	1/4	115-127V 60HZ 1 ~	CSIR	HST	L/MBP	285	1,36	55	160	207	264	330	408	499	603	8,1	171	31,0	F	520	160	AB 32	C/V	DWG10	SM07	EM190UEX
EM190UEX	4,99	1/4	220V 60Hz 1 ~	CSIR	HST	L/MBP	299	1,44	55	144	210	277	344	409	472	531	8,1	171	12,0	F	520	160	AB 32	C/V	DWG10	SM07	EM190UEX
EM2X3121U	5,54	1/4	115-127V 60Hz 1 ~	RSCR	LST	L/MBP	316	1,73	55	168	225	292	367	451	546	650	8,2	171	10,0	S/F	520	130	POE 22	C	DWG10	SM07	EM2X3121U
EM2X3125U	6,09	1/3	115-127V 60Hz 1 ~	RSCR	LST	L/MBP	357	1,72	55	198	258	330	413	510	621	748	8,2	171	12,6	S/F	520	130	POE 22	C	DWG10	SM07	EM2X3125U
FFU130UAX	6,76	1/3	115-127V 60HZ 1 ~	CSIR	HST	L/MBP	390	1,23	55	236	288	361	454	568	704	-	10,0	201	39,0	F	520	280	AB 32	C/V	DWG09	SM08	FFU130UAX
FFU130UAX	6,76	1/3	220-240V 50/60 Hz 1 ~	CSIR	HST	L/MBP	394	1,56	55	230	295	368	452	553	675	825	10,0	201	19,0	F	520	280	AB 32	C/V	DWG09	SM08	FFU130UAX
FFU160UAX	7,95	1/3	115-127V 60HZ 1 ~	CSIR	HST	L/MBP	394	1,56	55	236	288	361	454	568	704	-	10,0	201	41,5	F	520	280	AB 32	C/V	DWG09	SM08	FFU160UAX
FFU160UAX	7,95	1/2	220V 60Hz 1 ~	CSIR	HST	L/MBP	506	1,58	55	230	295	368	452	553	675	825	10,0	201	25,6	F	520	280	AB 32	C/V	DWG09	SM08	FFU160UAX

R290 • MBP • 50Hz - EU portfolio

MODEL	DISPL. cm ³	HP	VOLTAGE/FREQUENCY	MOTOR TYPE	TORQUE	APPL.	RATED POINT ASHRAE 7,2 °C / 54,4 °C		RATED POINT EN12900 -10 °C / 45 °C		COOLING CAPACITY EN12900							WEIGHT kg	MAX HEIGHT A mm	LRA A	COOL. TYPE	FAN AIR FLOW m ³ /h	OIL CHARGE Cm ³	OIL TYPE	EXP. DEVICE	DRAWINGS		MODEL	
							CAPACITY W	EFFICIENCY W/W	CAPACITY W	EFFICIENCY W/W	COND. TEMP. °C	EVAPORATING TEMPERATURE °C																	
												-20	-15	-10	-5	0	5									10	EXTERNAL VIEW REF.		WIRING DIAGRAM REF.
EMT6144U	4,50	1/5	220-240V 50HZ 1 ~	CSIR	HST	MBP	616	2,62	343	2,00	55	-	-	293	354	423	508	608	7,8	166	7,7	S	-	180	POE 22	C/V	DWG01	SM05	EMT6144U
											45	227	282	343	413	497	593	708											
EMT6152U	5,20	1/4	220-240V 50HZ 1 ~	CSIR	HST	MBP	742	2,68	418	2,05	55	-	-	362	432	514	612	729	7,8	166	8,5	F	520	180	POE 22	C/V	DWG01	SM05	EMT6152U
											45	279	346	419	500	596	709	844											
EMT6165U	5,96	1/4	220-240V 50HZ 1 ~	CSIR	HST	MBP	840	2,57	485	1,96	55	-	-	415	495	590	700	833	7,8	166	10,4	F	520	180	POE 22	C/V	DWG01	SM05	EMT6165U
											45	321	396	478	571	681	810	964											
NEK6181U	7,28	1/3	220-240V 50HZ 1 ~	CSIR	HST	MBP	949	2,46	523	1,78	55	-	-	447	548	664	793	930	10,4	187	12,0	F	520	350	POE 22	C/V	DWG03	SM05	NEK6181U
											45	367	432	523	637	770	919	1080											
NEU5181U	7,28	1/3	220-240V 50HZ 1 ~	RSCR	LST	MBP	1021	2,94	595	2,26	55	-	-	-	-	-	-	-	10,0	187	16,0	F	520	350	POE 22	C/V	DWG03	SM01	NEU5181U
											45	-	-	-	-	-	-	-											
NEU6181U	7,28	1/3	220-240V 50HZ 1 ~	CSIR	HST	MBP	1000	2,7	574	2,02	55	-	-	-	-	-	-	-	10,0	187	13,0	F	520	350	POE 22	C/V	DWG03	SM05	NEU6181U
											45	-	-	-	-	-	-	-											
EMTE6181U	7,55	1/3	220-240V 50HZ 1 ~	CSIR	HST	MBP	1021	2,74	632	2,2	55	-	-	549	657	795	952	1109	8,6	171	16,5	F	520	210	POE 22	C/V	DWG01	SM05	EMTE6181U
											45	360	465	580	695	828	995	1163											
NEK6210U	8,78	1/3	220-240V 50HZ 1 ~	CSIR	HST	MBP	1169	2,55	640	1,88	55	-	-	549	670	811	969	1145	11,0	200	16,1	F	520	350	POE 22	C/V	DWG03	SM05	NEK6210U
											45	434	526	640	776	936	1118	1322											
NEU6210U	8,78	1/3	220-240V 50HZ 1 ~	CSIR	HST	MBP	1215	2,66	676	1,98	55	-	-	583	713	860	1025	1208	10,7	200	20,0	F	520	350	POE 22	C/V	DWG03	SM05	NEU6210U
											45	439	556	690	840	1008	1192	1392											
NEU6212U	10,00	1/2	220-240V 50HZ 1 ~	CSIR	HST	MBP	1386	2,61	793	1,96	55	-	-	667	819	995	1195	1419	11,1	200	20,5	F	520	350	POE 22	C/V	DWG03	SM05	NEU6212U
											45	522	644	791	962	1157	1377	1621											
NEU6212U	10,00	1/2	220-240V 50HZ 1 ~	CSR	HST	MBP	1397	2,79	800	2,09	55	-	-	683	833	1006	1201	1420	11,1	200	20,5	F	520	350	POE 22	C/V	DWG03	SM06	NEU6212U
											45	523	652	803	974	1165	1378	1611											
NEK6214U	12,12	1/2	220-240V 50HZ 1 ~	CSIR	HST	MBP	1512	2,28	880	1,91	55	-	-	746	882	1023	1170	1323	11,7	206	17,0	F	520	350	POE 22	C/V	DWG03	SM05	NEK6214U
											45	574	710	870	1055	1374	1499	1758											
NEK6214U	12,12	1/2	220-240V 50HZ 1 ~	CSR	HST	MBP	1571	2,61	893	2,05	55	-	-	746	882	1023	1170	1323	11,6	206	24,0	F	520	350	POE 22	C/V	DWG03	SM06	NEK6214U
											45	594	731	892	1077	1285	1516	1770											
NEU6214U	12,12	1/2	220-240V 50HZ 1 ~	CSIR	HST	MBP	1645	2,47	936	1,96	55	-	-	796	969	1167	1388	1634	11,2	200	18,0	F	520	350	POE 22	C/V	DWG03	SM05	NEU6214U
											45	619	763	934	1133	1361	1616	1899											
NEU6214U	12,12	1/2	220-240V 50HZ 1 ~	CSR	HST	MBP	1682	2,75	944	2,11	55	-	-	807	981	1179	1401	1648	11,2	200	18,0	F	520	350	POE 22	C/V	DWG03	SM06	NEU6214U
											45	624	770	943	1143	1369	1623	1903											
NEK6217U	14,30	1/2	220-240V 50HZ 1 ~	CSIR	HST	MBP	1820	2,21	1018	1,73	55	-	-	875	1060	1271	1508	1771	11,6	206	24,0	F	520	350	POE 22	C/V	DWG03	SM05	NEK6217U
											45	681	833	1018	1233	1481	1759	2068											
NEK6217U	14,30	3/4	220-240V 50HZ 1 ~	CSR	HST	MBP	1885	2,54	1051	1,94	55	-	-	893	1085	1306	1556	1834	11,6	206	24,0	F	520	350	POE 22	C/V	DWG03	SM06	NEK6217U
											45	702	861	1051	1273	1526	1810	2124											
NEU6217U	14,30	3/4	220-240V 50HZ 1 ~	CSIR	HST	MBP	1903	2,35	1086	1,95	55	-	-	929	1125	1346	1592	1863	11,6	206	21,0	F	520	350	POE 22	C/V	DWG03	SM05	NEU6217U
											45	721	888	1085	1311	1566	1851	2165											
NEU6217U	14,30	3/4	220-240V 50HZ 1 ~	CSR	HST	MBP	1967	2,76	1109	2,17	55	-	-	956	1161	1393	1653	1941	11,6	206	21,0	F	520	350	POE 22	C/V	DWG03	SM06	NEU6217U
											45	734	909	1115	1353	1622	1924	2257											
NEU6220U	16,80	3/4	220-240V 50HZ 1 ~	CSR	HST	MBP	2292	2,6	1317	2,09	55	-	-	1097	1324	1579	1867	2189	12,0	206	22,0	F	520	350	POE 22	C/V	DWG03	SM06	NEU6220U
											45	925	1144	1396	1682	2007	2372	2781											
NT6220U	17,40	3/4	220-240V 50HZ 1 ~	CSIR	HST	MBP	2202	2,45	1193	1,76	55	-	-	995	1236	1506	1803	2129	17,0	220	30,0	F	520	450	POE 22	C/V	DWG16	SM19	NT6220U
											45	757	954	1193	1472	1791	2150	2549											
NT6220U	17,40	3/4	220-240V 50HZ 1 ~	CSR	HST	MBP	2250	2,79	1167	1,88	55	-	-	976	1215	1492	1806	2158	17,0	220	30,0	F	520	450	POE 22	C/V	DWG16	SM23	NT6220U
											45	742	934	1167	1443	1761	2121	2524											
NT6222U	20,40	3/4	220-240V 50HZ 1 ~	CSIR	HST	MBP	2537	2,37	1372	1,74	55	-	-	1118	1400	1726	2097	2505	17,0	220	30,0	F	520	450	POE 22	C/V	DWG16	SM19	NT6222U
											45	865	1095	1372	1695	2060	2465	2907											
NT6222U	20,40	1	220-240V 50HZ 1 ~	CSR	HST	MBP	2635	2,77	1412	1,92	55	-	-	1177	1471	1803	2174	2581	17,0	220	30,0	F	520	450	POE 22	C/V	DWG16	SM23	NT6222U
											45	897	1132	1412	1735	2104	2513	2965											
NT6224U	22,40	1	220-240V 50HZ 1 ~	CSR	HST	MBP	2843	2,73	1558	2,11	55	-	-	1274	1583	1938	2336	2773	17,2	220	26,0	F	520	450	POE 22	C/V	DWG16	SM23	NT6224U
											45	966	1239	1557	1920	2321	2761	3232											
NT6230U	27,80	1 1/4	220-240V 50HZ 1 ~	CSR	HST	MBP	3620	2,6	1937	1,93	55	-	-	1623	1998	2437	2850	3350	17,7	220	39,0	F	520	450	POE 22	C/V	DWG17	SM21	NT6230U
											45	1240	1561	1939	2376	2871	3350	3810											

Note: Return gas temperature in EN12900 conditions for EM and NE series is 32°C for NT and NJ series is 20°C

R290 • MBP • 60Hz - EU portfolio

MODEL	DISPL. cm ³	HP	VOLTAGE/FREQUENCY	MOTOR TYPE	TORQUE	APPL.	RATED POINT ASHRAE 7,2 °C / 54,4 °C		RATED POINT ARI 540 -6,7 °C / 48,9 °C		COOLING CAPACITY ARI 540					WEIGHT kg	MAX HEIGHT A mm	LRA A	COOL. TYPE	FAN AIR FLOW m ³ /h	OIL CHARGE cm ³	OIL TYPE	EXP. DEVICE	DRAWINGS		MODEL	
							CAPACITY W	EFFICIENCY W/W	CAPACITY W	EFFICIENCY W/W	COND. TEMP. °C	EVAPORATING TEMPERATURE °C W												EXTERNAL VIEW REF.	WIRING DIAGRAM REF.		
												-20	-15	-10	-5												0
NEK6152U	5,45	1/4	115V 60HZ 1 ~	CSIR	HST	MBP	862	2,44	449	1,51	55	-	-	345	421	507	9,8	187	25,0	F	520	350	POE 22	C/V	DWG04	SM04	NEK6152U
NEK6165U	6,20	1/4	115V 60HZ 1 ~	CSIR	HST	MBP	992	2,41	505	1,50	55	-	-	404	488	586	10,0	187	28,0	F	520	350	POE 22	C/V	DWG04	SM04	NEK6165U
NEU6181U	7,28	1/3	115-127V 60HZ 1 ~	CSIR	HST	MBP	1197	2,7	633	1,72	55	-	-	495	611	744	10,1	187	30,0	F	520	350	POE 22	C/V	DWG04	SM04	NEU6181U
NEK6210U	8,78	1/3	115V 60HZ 1 ~	CSIR	HST	MBP	1368	2,48	717	1,60	55	-	-	570	698	843	10,6	200	37,0	F	520	350	POE 22	C/V	DWG04	SM04	NEK6210U
NEK6213U	12,12	1/2	115V 60HZ 1 ~	CSIR	HST	MBP	1841	2,13	998	1,48	55	-	-	781	949	1137	11,4	206	44,0	F	520	350	POE 22	C/V	DWG04	SM04	NEK6213U
NEU6214U	12,12	1/2	115-127V 60HZ 1 ~	CSIR	HST	MBP	1989	2,46	1085	1,74	55	-	-	865	1051	1261	11,5	206	42,0	F	520	350	POE 22	C/V	DWG04	SM04	NEU6214U
NEU6214U	12,12	1/2	115-127V 60HZ 1 ~	CSR	HST	MBP	2021	2,68	1097	1,86	55	-	-	873	1060	1273	11,5	206	42,0	F	520	350	POE 22	C/V	DWG04	SM06	NEU6214U
NEU6217U	14,30	3/4	115-127V 60HZ 1 ~	CSIR	HST	MBP	2266	2,24	1261	1,67	55	-	-	-	-	-	11,6	206	45,0	F	520	350	POE 22	C/V	DWG04	SM04	NEU6217U
NEU6217U	14,30	3/4	115-127V 60HZ 1 ~	CSR	HST	MBP	2332	2,53	1278	1,82	55	-	-	-	-	-	11,6	206	45,0	F	520	350	POE 22	C/V	DWG04	SM06	NEU6217U
NEU6217U	14,30	3/4	208-230V 60HZ 1 ~	CSIR	HST	MBP	2243	2,2	1238	1,63	55	-	-	-	-	-	11,6	206	29,0	F	520	350	POE 22	C/V	DWG04	SM04	NEU6217U
NEU6217U	14,30	3/4	208-230V 60HZ 1 ~	CSR	HST	MBP	2308	2,52	1254	1,81	55	-	-	-	-	-	11,6	206	29,0	F	520	350	POE 22	C/V	DWG04	SM06	NEU6217U
NT6217UV	14,50	1/2	115V 60HZ 1 ~	CSIR	HST	MBP	2101	2,52	1005	1,58	55	-	-	801	986	1184	16,2	220	44,0	F	520	450	POE 22	C/V	DWG16	SM20	NT6217UV
NT6217UV	14,50	1/2	115V 60HZ 1 ~	CSR	HST	MBP	2176	2,81	1028	1,74	55	-	-	812	1007	1220	16,2	220	44,0	F	520	450	POE 22	C/V	DWG16	SM23	NT6217UV
NT6220UV	17,40	3/4	115V 60HZ 1 ~	CSR	HST	MBP	2644	2,85	1356	1,84	55	-	-	1007	1266	1565	16,6	220	54,5	F	520	450	POE 22	C/V	DWG17	SM21	NT6220UV
NT6222UV	20,40	3/4	115V 60HZ 1 ~	CSR	HST	MBP	3023	2,73	1522	1,78	55	-	-	1181	1476	1798	16,5	220	54,5	F	520	450	POE 22	C/V	DWG17	SM21	NT6222UV
NT6224UV	22,40	1	208-230V 60HZ 1 ~	CSR	HST	MBP	3370	2,67	1744	1,75	55	-	-	1355	1673	2028	16,8	220	33,7	F	520	450	POE 22	C/V	DWG16	SM23	NT6224UV

R600a • LBP - L/MBP • 50Hz - EU portfolio

MODEL	DISPL. cm ³	HP	VOLTAGE/FREQUENCY	MOTOR TYPE	TORQUE	APPL.	RATED POINT ASHRAE -23,3 °C / 54,4 °C		RATED POINT CECOMAF -25 °C / 55 °C		COOLING CAPACITY CECOMAF						WEIGHT kg	MAX HEIGHT A mm	LRA A	COOL. TYPE	FAN AIR FLOW m ³ /h	OIL CHARGE cm ³	OIL TYPE	EXP. DEVICE	DRAWINGS		MODEL	
							CAPACITY W	EFFICIENCY W/W	CAPACITY W	EFFICIENCY W/W	COND. TEMP. °C	EVAPORATING TEMPERATURE °C W													EXTERNAL VIEW REF.	WIRING DIAGRAM REF.		
												-30	-25	-20	-15	-10												-5
EMY20CLC	3,97	1/12	220-240V 50HZ 1 ~	RSIR	LST	LBP	61	1,4	45	1,1	55	34	45	60	77	98	121	7,4	166	2,4	S	-	180	AB 5	C	DWG01	SM00	EMY20CLC
EMX20CLC	3,97	1/12	220-240V 50HZ 1 ~	RSCR	LST	LBP	61	1,51	45	1,18	55	34	45	60	77	98	121	7,5	166	2,0	S	-	180	AB 5	C	DWG01	SM01	EMX20CLC
EMY26CLC	5,20	1/12	220-240V 50HZ 1 ~	RSIR	LST	LBP	83	1,5	61	1,18	55	45	61	81	105	133	165	7,4	166	2,8	S	-	180	AB 5	C	DWG01	SM00	EMY26CLC
EMY32CLC	5,96	1/10	220-240V 50HZ 1 ~	RSIR	LST	LBP	97	1,51	72	1,19	55	53	72	94	120	151	189	7,4	166	3,6	S	-	180	AB 5	C	DWG01	SM00	EMY32CLC
EMX32CLC	5,96	1/10	220-240V 50HZ 1 ~	RSCR	LST	LBP	102	1,66	72	1,3	55	53	72	94	120	151	189	7,5	166	2,6	S	-	180	AB 5	C	DWG01	SM01	EMX32CLC
EMX3109Y	6,2	UD	100V 50HZ / 100-127V 60HZ 1 ~	RSIR/RSCR	LST	L/MBP	UD	UD	UD	UD	55	-	-	-	-	-	-	UD	UD	UD	S/F	270	150	AB 5	C/V	DWG01	SM00-SM01	EMX3109Y
EMY40CLC	7,24	1/8	220-240V 50HZ 1 ~	RSIR	LST	LBP	119	1,53	90	1,21	55	66	90	116	148	186	232	7,6	166	4,3	S	-	180	AB 5	C	DWG01	SM00	EMY40CLC
EMY46CLC	7,96	1/8	220-240V 50HZ 1 ~	RSIR	LST	LBP	135	1,56	101	1,23	55	75	102	135	174	219	268	7,7	166	4,3	S	-	180	AB 5	C	DWG01	SM00	EMY46CLC
EMX46CLC	7,96	1/8	220-240V 50HZ 1 ~	RSCR	LST	LBP	135	1,66	101	1,32	55	75	102	135	174	219	268	7,7	166	3,8	S	-	180	AB 5	C	DWG01	SM01	EMX46CLC
EMX3113Y	9,04	1/6	100V 50HZ / 100-127V 60HZ 1 ~	RSCR	LST	L/MBP	155	1,75	-	-	55	-	-	-	-	-	-	8	171	-	S/F	270	150	AB 5	C/V	DWG01	SM01	EMX3113Y
EMY55CLP	9,05	1/6	220-240V 50HZ 1 ~	RSIR	LST	LBP	156	1,56	114	1,23	55	85	114	150	192	241	296	7,7	166	5,5	S	-	180	AB 5	C	DWG01	SM00	EMY55CLP
EMX55CLC	9,05	1/6	220-240V 50HZ 1 ~	RSCR	LST	LBP	155	1,72	115	1,31	55	90	115	156	197	250	310	7,4	166	5,7	S	-	180	AB 5	C	DWG01	SM01	EMX55CLC
EMX3115Y	10,61	1/5	100V 50HZ / 100-127V 60HZ 1 ~	RSCR	LST	L/MBP	184	1,67	-	-	55	-	-	-	-	-	-	7,6	166	-	S/F	270	150	AB 5	C/V	DWG01	SM01	EMX3115Y
EMY66CLP	10,62	1/5	220-240V 50HZ 1 ~	RSIR	LST	LBP	177	1,54	134	1,22	55	98	134	175	224	280	346	7,9	166	5,6	S	-	180	AB 5	C	DWG01	SM00	EMY66CLP

... FOLLOW

R600a • LBP - L/MBP • 50Hz - EU portfolio

MODEL	DISPL. cm³	HP	VOLTAGE/FREQUENCY	MOTOR TYPE	TORQUE	APPL.	RATED POINT ASHRAE -23,3 °C / 54,4 °C		RATED POINT CECOMAF -25 °C / 55 °C		COOLING CAPACITY CECOMAF						WEIGHT kg	MAX HEIGHT A mm	LRA A	COOL. TYPE	FAN AIR FLOW m³/h	OIL CHARGE cm³	OIL TYPE	EXP. DEVICE	DRAWINGS		MODEL	
							CAPACITY W	EFFICIENCY W/W	CAPACITY W	EFFICIENCY W/W	EVAPORATING TEMPERATURE °C W														EXTERNAL VIEW REF.	WIRING DIAGRAM REF.		
											-30	-25	-20	-15	-10	-5												
EMX70CLC	11,15	1/5	220-240V 50HZ 1 ~	RSCR	LST	LBP	191	1,71	143	1,34	55	103	142	184	233	290	360	7,7	166	6,0	S	-	150	AB 5	C	DWG01	SM01	EMX70CLC
EMX3118Y	12,20	1/5	100V 50HZ / 100-127V 60HZ 1 ~	RSCR	LST	L/MBP	212	1,66	-	-	55	-	-	-	-	-	-	7,7	166	-	S/F	270	150	AB 5	C/V	DWG01	SM01	EMX3118Y
EMY3118Y	12,20	1/5	220-240V 50HZ 1 ~	RSIR	LST	L/MBP	213	1,58	-	-	55	-	-	-	-	-	-	7,6	171	7,8	F	270	150	AB 5	C/V	DWG01	SM00	EMY3118Y
EMY3118Y	12,20	1/5	220-240V 50HZ 1 ~	RSCR	LST	L/MBP	212	1,49	-	-	55	-	-	-	-	-	-	7,6	171	7,8	F	270	150	AB 5	C/V	DWG01	SM01	EMY3118Y
EMX3118Y	12,20	1/5	220-240V 50HZ 1 ~	RSCR	LST	L/MBP	211	1,75	-	-	55	-	-	-	-	-	-	7,8	171	7,5	S	-	150	AB 5	C/V	DWG01	SM01	EMX3118Y
EMX80CLT	12,21	1/5	220-240V 50HZ 1 ~	RSCR	LST	LBP	212	1,74	162	1,36	55	118	158	207	265	331	406	7,9	171	7,8	S	-	150	AB 5	C	DWG01	SM01	EMX80CLT
NBY1118Y	14,28	1/4	220-240V 50HZ 1 ~	RSCR	LST	LBP	244	1,74	183	1,38	55	138	181	234	299	375	-	10,6	195	11,0	S	-	280	AB 5	C	DWG02	SM01	NBY1118Y

R600a • LBP - L/MBP • 50Hz - BR portfolio

MODEL	DISPL. cm³	HP	VOLTAGE/FREQUENCY	MOTOR TYPE	TORQUE	APPL.	RATED POINT ASHRAE -23,3 °C / 54,4 °C		COOLING CAPACITY ASHRAE LBP								WEIGHT kg	MAX HEIGHT A mm	LRA A	COOL. TYPE	FAN AIR FLOW m³/h	OIL CHARGE cm³	OIL TYPE	EXP. DEVICE	DRAWINGS		MODEL	
							CAPACITY W	EFFICIENCY W/W	COND. TEMP. °C	EVAPORATING TEMPERATURE °C W															EXTERNAL VIEW REF.	WIRING DIAGRAM REF.		
										-35	-30	-25	-20	-15	-10	-5												
EMX20CLC	3,97	1/12	220-240V 50Hz 1 ~	RSCR	LST	LBP	63	1,54	55	34	47	54	75	97	123	152	7,8	170	2,0	S	-	150	AB 5	C	DWG10	SM07	EMX20CLC	
EMT23CLP	4,5	1/12	220-240V 50Hz 1 ~	RSIR	LST	LBP	78	1,37	55	38	53	70	91	115	144	-	7,2	158	2,7	S/F	520	180	MIN 10	C	DWG10	SM07	EMT23CLP	
EMI30CNP	4,99	1/12	220-240V 50Hz 1 ~	RSIR	LST	L/MBP	76	1,16	55	31	48	68	91	119	152	192	7,1	166	3,7	S	-	160	MIN 32	C	DWG10	SM07	EMI30CNP	
EMI40CNP	6,36	1/10	220-240V 50Hz 1 ~	RSIR	LST	L/MBP	100	1,18	55	49	68	91	119	153	195	245	7,0	166	5,0	S	-	160	MIN 32	C	DWG10	SM07	EMI40CNP	
EMT40CLP	7,23	1/8	220-240V 50Hz 1 ~	RSIR/RSCR	LST	LBP	119	1,36	55	54	79	108	142	182	229	284	7,4	158	4,3	S	-	180	AB 5	C	DWG10	SM07	EMT40CLP	
EMX46CLC	7,96	1/8	220-240V 50Hz 1 ~	RSCR	LST	LBP	138	1,71	55	68	95	127	165	211	264	325	7,4	166	3,7	S	-	180	AB 5	C	DWG10	SM07	EMX46CLC	
EMT56CLP	9,04	1/6	220-240V 50Hz 1 ~	RSIR/RSCR	LST	LBP	155	1,35	55	77	106	143	188	240	301	369	7,7	166	5,5	S	-	180	AB 5	C	DWG10	SM07	EMT56CLP	
EMYE70CLP	10,61	1/5	220-240V 50Hz 1 ~	RSIR	LST	LBP	182	1,32	55	-	-	-	-	-	-	-	7,6	200	8,2	S	-	180	AB 5	C	DWG10	SM07	EMYE70CLP	
EMX70CLC	11,14	1/5	220-240V 50Hz 1 ~	RSCR	LST	LBP	191	1,72	55	105	135	174	223	283	355	438	8,6	166	4,9	S	-	180	AB 5	C	DWG10	SM07	EMX70CLC	
EGAS80CLP	11,14	1/5	220-240V 50Hz 1 ~	RSIR	LST	LBP	190	1,44	55	94	128	171	224	290	370	467	10,4	201	7,3	S	-	280	AB 5	C	DWG09	SM09	EGAS80CLP	
EGYS80CLP	11,14	1/5	220-240V 50Hz 1 ~	RSIR	LST	LBP	199	1,73	55	108	141	181	230	290	365	458	11,0	201	8,1	S	-	280	AB 5	C	DWG09	SM09	EGYS80CLP	
EGYS90CLP	12,21	1/5	220-240V 50Hz 1 ~	RSIR	LST	LBP	215	1,69	55	118	153	198	255	324	407	505	10,9	201	8,8	S	-	280	AB 5	C	DWG09	SM09	EGYS90CLP	
EGYS90CLP	12,21	1/4	220-240V 50/60 HZ 1 ~	RSIR	LST	LBP	217	1,71	55	109	151	198	253	321	403	-	10,9	201	8,8	S	-	280	AB 5	C	DWG09	SM09	EGYS90CLP	
EGAS100CLP	13,54	1/4	220-240V 50Hz 1 ~	RSIR	LST	LBP	235	1,39	55	126	163	215	280	359	454	564	10,4	201	10,3	S	-	280	AB 5	C	DWG09	SM09	EGAS100CLP	
EGX100CLC	13,54	1/4	220-240V 50Hz 1 ~	RSCR	LST	LBP	223	1,81	55	111	160	207	258	320	397	497	11,2	201	4,9	S	-	280	AB 5	C	DWG09	SM09	EGX100CLC	
EGYS110CLC	14,87	1/4	220-240V 50Hz 1 ~	RSCR	LST	LBP	263	1,83	55	141	187	242	307	388	487	-	11,0	201	8,4	S	-	280	AB 5	C	DWG09	SM09	EGYS110CLC	

R600a • LBP - L/MBP • 60Hz - EU portfolio

MODEL	DISPL. cm³	HP	VOLTAGE/FREQUENCY	MOTOR TYPE	TORQUE	APPL.	RATED POINT ASHRAE -23,3 °C / 54,4 °C		COOLING CAPACITY ASHRAE LBP								WEIGHT kg	MAX HEIGHT A mm	LRA A	COOL. TYPE	FAN AIR FLOW m³/h	OIL CHARGE cm³	OIL TYPE	EXP. DEVICE	DRAWINGS		MODEL	
							CAPACITY W	EFFICIENCY W/W	COND. TEMP. °C	EVAPORATING TEMPERATURE °C W															EXTERNAL VIEW REF.	WIRING DIAGRAM REF.		
										-35	-30	-25	-20	-15	-10	-5												0
EMX3113Y	9,04	1/6	100V 50HZ / 100-127V 60HZ 1 ~	RSCR	LST	L/MBP	183	1,73	55	-	-	-	-	-	-	-	-	8	171	-	S/F	270	150	AB 5	C/V	DWG01	SM01	EMX3113Y
EMX60CLC	9,04	1/6	115-127V 60HZ 1 ~	RSIR/RSCR	LST	LBP	186	1,71	55	-	-	-	-	-	-	-	-	7,6	171	12	S	-	150	AB 5	C	DWG01	SM00-SM01	EMX60CLC
EMX3115Y	10,61	1/6	100V 50HZ / 100-127V 60HZ 1 ~	RSCR	LST	L/MBP	213	1,69	55	-	-	-	-	-	-	-	-	7,6	166	-	S/F	270	150	AB 5	C/V	DWG01	SM01	EMX3115Y
EMX3118Y	12,20	1/5	100V 50HZ / 100-127V 60HZ 1 ~	RSCR	LST	L/MBP	241	1,64	55	-	-	-	-	-	-	-	-	7,7	166	-	S/F	270	150	AB 5	C/V	DWG01	SM01	EMX3118Y

R600a • LBP - L/MBP - L/M/HBP • 60Hz - BR portfolio

MODEL	DISPL. cm ³	HP	VOLTAGE/FREQUENCY	MOTOR TYPE	TORQUE	APPL.	RATED POINT ASHRAE -23,3 °C / 54,4 °C		COOLING CAPACITY ASHRAE LBP								WEIGHT kg	MAX HEIGHT A mm	LRA A	COOL. TYPE	FAN AIR FLOW m ³ /h	OIL CHARGE cm ³	OIL TYPE	EXP. DEVICE	DRAWINGS		MODEL	
							CAPACITY W	EFFICIENCY W/W	COND. TEMP. °C	EVAPORATING TEMPERATURE °C W															EXTERNAL VIEW REF.	WIRING DIAGRAM REF.		
										-35	-30	-25	-20	-15	-10	-5												
EMX20CLC	3,97	1/12	115 - 127V 60Hz 1 ~	RSCR	LST	LBP	77	1,56	55	51	69	90	115	147	-	-	7,8	170	3,7	S	-	180	AB 5	C	DWG10	SM07	EMX20CLC	
EMT30CDP	4,50	1/10	100V 50/60 Hz 1 ~	RSIR	LST	L/M/HBP	94	1,42	-	-	-	-	-	-	-	7,2	170	7,7	S	-	180	MIN 10	C	DWG10	SM07	EMT30CDP		
EMI30CNP	4,99	1/10	220V 50/60 Hz 1 ~	RSIR	LST	L/MBP	94	1,22	55	61	85	113	145	183	226	-	7,1	166	3,5	S	-	160	MIN 32	C	DWG10	SM07	EMI30CNP	
EMI40CNP	6,36	1/8	220V 50/60 Hz 1 ~	RSIR	LST	L/MBP	120	1,25	55	81	109	144	186	236	296	-	7,0	166	4,5	S	-	160	MIN 32	C	DWG10	SM07	EMI40CNP	
EMU40CLP	5,96	1/8	220V 50/60 Hz 1 ~	RSIR	LST	LBP	120	1,34	55	82	110	142	181	227	-	-	8,6	165	7,7	S	-	180	AB 5	C	DWG10	SM07	EMU40CLP	
EMU40CLP	5,96	1/8	115 - 127V 60Hz 1 ~	RSCR	LST	LBP	115	1,25	55	78	106	140	181	228	283	-	8,6	165	7,3	S	-	180	AB 5	C	DWG10	SM07	EMU40CLP	
EMU60CLP	9,04	1/6	115-127V 60Hz 1 ~	RSIR	LST	LBP	175	1,47	55	91	121	156	199	253	319	-	7,4	170	10,5	S	-	180	AB 5	C	DWG10	SM07	EMU60CLP	
EMU60CLP	9,04	1/8	220V 60 Hz 1 ~	RSIR	LST	LBP	171	1,38	55	89	120	158	204	261	331	414	8,6	170	7,4	S	-	180	AB 5	C	DWG10	SM07	EMU60CLP	
EMYE70CLP	10,61	1/6	115-127V 60Hz 1 ~	RSIR	LST	LBP	197	1,47	55	107	143	185	241	306	387	482	7,7	200	14,5	S	-	180	AB 5	C	DWG10	SM07	EMYE70CLP	
EMYE70CLP	10,61	1/6	220V 50/60 Hz 1 ~	RSIR	LST	LBP	203	1,46	55	-	-	-	-	-	-	-	7,6	200	7,8	S	-	180	AB 5	C	DWG10	SM07	EMYE70CLP	
EGAS80CLP	11,14	1/5	115-127V 60Hz 1 ~	RSIR	LST	LBP	245	1,51	55	124	173	227	288	362	451	558	10,3	200	18,0	S	-	280	AB 5	C	DWG09	SM09	EGAS80CLP	
EGAS80CLP	11,14	1/5	220V 60 Hz 1 ~	RSIR	LST	LBP	243	1,57	55	119	168	223	287	362	452	-	10,4	200	7,3	S	-	280	AB 5	C	DWG09	SM09	EGAS80CLP	
EGAS80CLP	11,14	1/5	220V 50/60 Hz 1 ~	RSIR	LST	LBP	242	1,59	55	125	173	226	287	361	448	-	10,4	200	7,3	S	-	280	AB 5	C	DWG09	SM09	EGAS80CLP	
EGYS90CLP	12,21	1/4	115-127V 60Hz 1 ~	RSCR	LST	LBP	267	1,71	55	137	190	249	317	400	499	621	11,2	200	24,1	S	-	280	AB 5	C	DWG09	SM09	EGYS90CLP	
EGYS90CLP	12,21	1/4	220-240V 50/60 Hz 1 ~	RSIR	LST	LBP	265	1,67	55	132	183	243	313	396	495	613	11,0	200	8,0	S	-	280	AB 5	C	DWG09	SM09	EGYS90CLP	
EGAS100CLP	13,54	1/4	220V 50/60 Hz 1 ~	RSIR	LST	LBP	297	1,53	55	157	205	274	362	466	582	-	10,4	200	10,3	S	-	280	AB 5	C	DWG09	SM09	EGAS100CLP	

R600a • HBP • 50Hz - EU portfolio

MODEL	DISPL. cm ³	HP	VOLTAGE/FREQUENCY	MOTOR TYPE	TORQUE	APPL.	RATED POINT ASHRAE 7,2 °C / 54,4 °C		RATED POINT EN12900 5 °C / 50 °C		COOLING CAPACITY EN12900							WEIGHT kg	MAX HEIGHT A mm	LRA A	COOL. TYPE	FAN AIR FLOW m ³ /h	OIL CHARGE cm ³	OIL TYPE	EXP. DEVICE	DRAWINGS		MODEL	
							CAPACITY W	EFFICIENCY W/W	CAPACITY W	EFFICIENCY W/W	COND. TEMP. °C	EVAPORATING TEMPERATURE °C W														EXTERNAL VIEW REF.	WIRING DIAGRAM REF.		
												-15	-10	-5	0	5	10												
EMT30CDP	4,50	1/12	220-240V 50HZ 1 ~	RSIR	LST	HBP	256	2,53	246	2,65	55	-	125	155	191	232	278	7,2	158	3,7	S	-	180	POE 22	C	DWG01	SM00	EMT30CDP	
EMU5125Y	4,50	1/12	220-240V 50HZ 1 ~	RSIR	LST	HBP	267	2,73	244	2,52	55	-	113	140	176	213	258	7	158	3,7	S	-	180	AB 5	C	DWG01	SM00	EMU5125Y	
EMU5125Y	4,50	1/12	220-240V 50HZ 1 ~	RSCR	LST	HBP	267	2,88	244	2,82	55	-	109	138	172	212	257	7	158	3,7	S	-	180	AB 5	C	DWG01	SM01	EMU5125Y	
EMT45CDP	6,79	1/8	220-240V 50HZ 1 ~	RSIR	LST	HBP	389	2,56	360	2,47	55	-	120	151	187	228	274	7,7	166	5,8	S	-	180	POE 22	C	DWG01	SM00	EMT45CDP	
EMU6132Y	6,76	1/7	220-240V 50HZ 1 ~	CSIR	LST	HBP	393	2,61	-	-	55	-	111	140	174	214	259	7,4	166	-	S	-	180	AB 5	C/V	DWG01	SM05	EMU6132Y	
EMU5132Y	6,79	1/8	220-240V 50HZ 1 ~	RSIR	LST	HBP	402	2,61	358	2,54	55	-	165	208	258	316	382	7,4	166	6,1	S	-	180	AB 5	C	DWG01	SM00	EMU5132Y	
EMU5132Y	6,79	1/8	220-240V 50HZ 1 ~	RSCR	LST	HBP	406	2,82	363	2,74	55	-	184	230	282	342	408	7,4	166	6,1	S	-	180	AB 5	C	DWG01	SM01	EMU5132Y	
EMT6144Y	9,05	1/5	220-240V 50HZ 1 ~	CSIR	HST	HBP	543	2,48	486	2,41	55	-	223	282	350	427	515	7,8	166	7,7	F	520	180	POE 22	C/V	DWG01	SM05	EMT6144Y	
EMT6160Y	11,15	1/5	220-240V 50HZ 1 ~	CSIR	HST	HBP	653	2,27	588	2,2	55	-	303	375	458	552	658	7,8	166	9,8	F	520	180	POE 22	C/V	DWG01	SM05	EMT6160Y	
NBY5170Y	14,30	1/4	220-240V 50HZ 1 ~	RSCR	LST	HBP	842	3,1	753	2,99	55	-	277	347	427	520	622	10,8	206	15	S	-	350	AB 5	C/V	DWG02	SM01	NBY5170Y	
NEK6160Y	12,12	1/4	220-240V 50HZ 1 ~	CSIR	HST	HBP	677	2,53	606	2,43	55	-	294	372	464	567	678	10,6	187	12,4	F	520	350	POE 22	C/V	DWG03	SM05	NEK6160Y	
NEK6170Y	14,30	1/4	220-240V 50HZ 1 ~	CSIR	HST	HBP	809	2,47	720	2,38	55	-	326	412	512	630	764	10,6	187	12,4	F	520	350	POE 22	C/V	DWG03	SM05	NEK6170Y	
NEK6187Y	16,80	1/3	220-240V 50HZ 1 ~	CSIR	HST	HBP	907	2,39	805	2,29	55	-	391	494	613	749	774	11	200	16,1	F	520	350	POE 22	C/V	DWG03	SM05	NEK6187Y	

Note: Return gas temperature in EN12900 conditions for EM and NE series is 32°C for NT and NJ series is 20°C

R508B/R170 • ULBP • 50 Hz - EU portfolio

MODEL	DISPL. cm ³	HP	VOLTAGE/FREQUENCY	MOTOR TYPE	REFRIGERANT	TORQUE	APPL.	RATED POINT EN12900 -85 °C / -30 °C		COOLING CAPACITY EN12900			WEIGHT kg	MAX HEIGHT A mm	LRA A	COOL. TYPE	FAN AIR FLOW m ³ /h	OIL CHARGE cm ³	OIL TYPE	EXP. DEVICE	DRAWINGS		MODEL	
								CAPACITY W	EFFICIENCY W/W	COND. TEMP. °C	EVAPORATING TEMPERATURE °C W										EXTERNAL VIEW REF.	WIRING DIAGRAM REF.		
											-95	-85												-75
NT2178ULT	17,4	1	220-240V 50HZ 1 ~	CSR	R508B	HST	ULBP	429	1,27	-30	180	422	919	17,8	220	21,5	F	520	450	POE 22	C/V	DWG16	SM23	NT2178ULT
NT2192ULT	22,4	1	220-240V 50HZ 1 ~	CSR	R170	HST	ULBP	399	1,21	-30	204	401	813	17,8	234	29	F	520	450	POE 22	C/V	DWG16	SM23	NT2192ULT
NT2212ULT	27,8	1 1/2	220-240V 50HZ 1 ~	CSR	R508B	HST	ULBP	545	1,3	-30	236	561	1097	17,8	234	27	F	520	450	POE 22	C/V	DWG16	SM23	NT2212ULT
					R170			516	1,24	-30	216	501	926	17,8	234	27	F	520	450	POE 22	C/V	DWG16	SM23	NT2212ULT
					R508B			702	1,32	-30	318	665	1220	17,8	234	27	F	520	450	POE 22	C/V	DWG16	SM23	NT2212ULT
					R170			663	1,29	-30	311	670	1230	17,8	234	27	F	520	450	POE 22	C/V	DWG16	SM23	NT2212ULT

R508B/R170 • ULBP • 60 Hz - EU portfolio

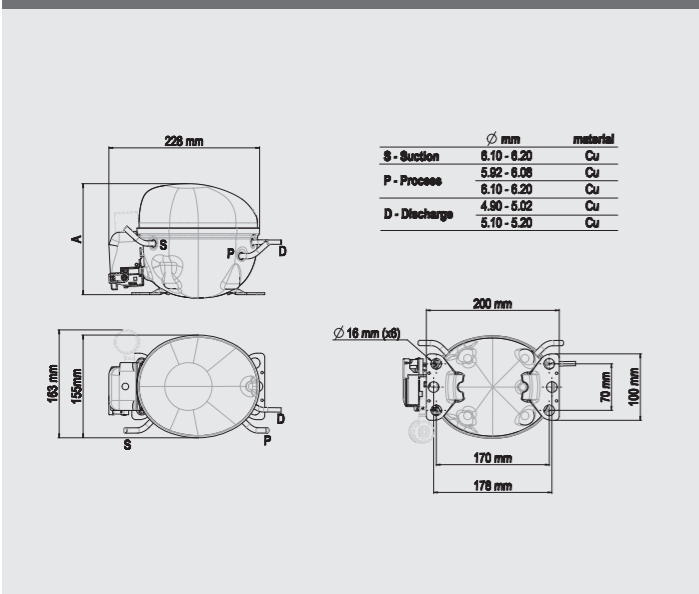
MODEL	DISPL. cm ³	HP	VOLTAGE/FREQUENCY	MOTOR TYPE	REFRIGERANT	TORQUE	APPL.	RATED POINT EN12900 -85 °C / -30 °C		COOLING CAPACITY EN12900			WEIGHT kg	MAX HEIGHT A mm	LRA A	COOL. TYPE	FAN AIR FLOW m ³ /h	OIL CHARGE cm ³	OIL TYPE	EXP. DEVICE	DRAWINGS		MODEL	
								CAPACITY W	EFFICIENCY W/W	COND. TEMP. °C	EVAPORATING TEMPERATURE °C W										EXTERNAL VIEW REF.	WIRING DIAGRAM REF.		
											-95	-85												-75
NT2178ULT	17,4	1	115V 60HZ 1 ~	CSR	R508B	HST	ULBP	516	1,26	-30	232	528	1015	17,8	220	54	F	520	450	POE 22	C/V	DWG16	SM23	NT2178ULT
NT2192ULT	22,4	1	208-230V 60HZ 1 ~	CSR	R170	HST	ULBP	471	1,21	-30	230	464	814	17,8	234	35	F	520	450	POE 22	C/V	DWG16	SM23	NT2192ULT
					R508B			676	1,27	-30	339	676	1232	17,8	234	35	F	520	450	POE 22	C/V	DWG16	SM23	NT2192ULT
					R170			594	1,21	-30	290	587	1048	17,8	234	35	F	520	450	POE 22	C/V	DWG16	SM23	NT2192ULT

EXTERNAL VIEWS & WIRING DIAGRAMS

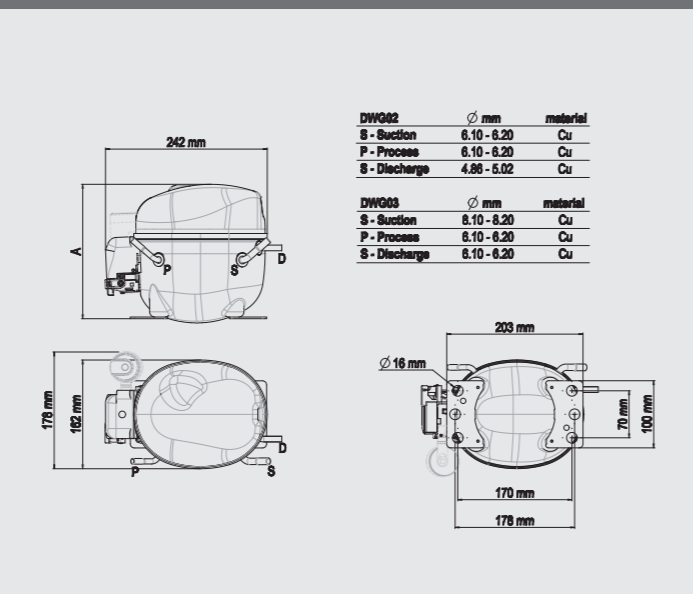


EXTERNAL VIEWS

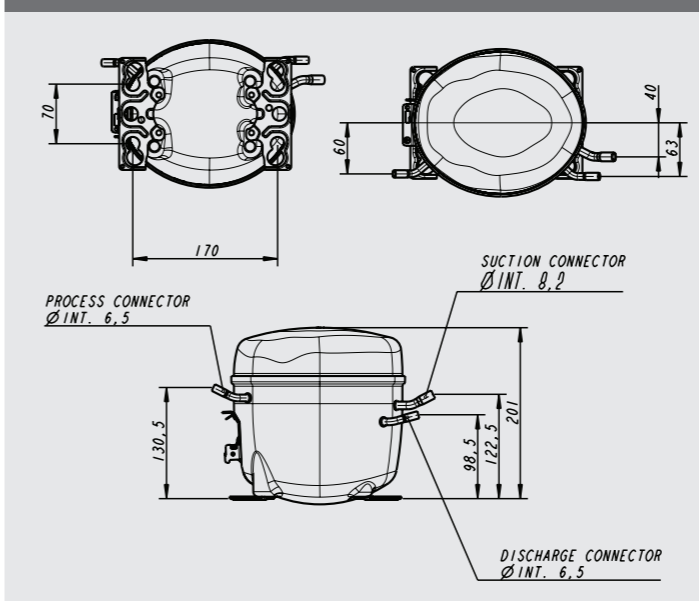
DWG01 - EM Series European Base Plate



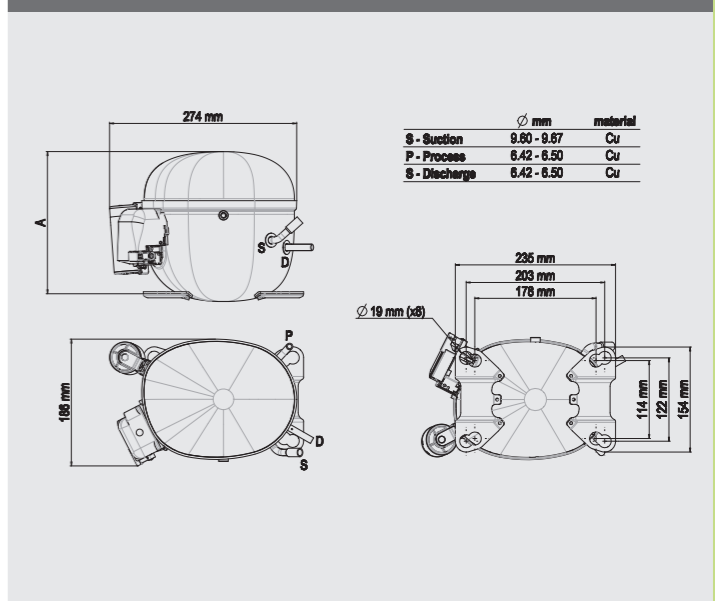
DWG02/03 - NB / NE SERIES European Base Plate



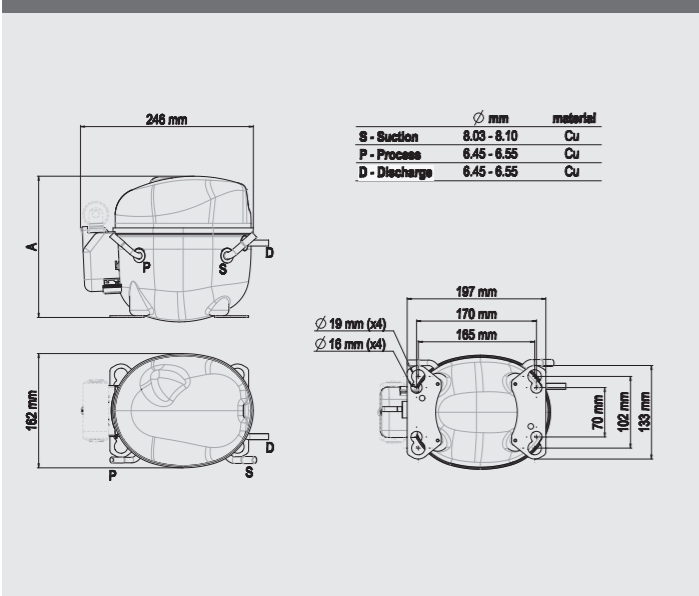
DWG09 - EG / F / VEG SERIES



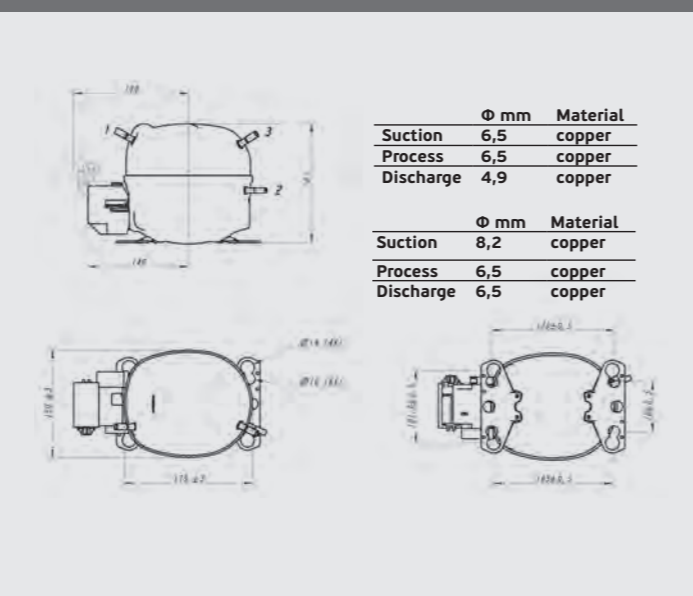
DWG15 - NT SERIES



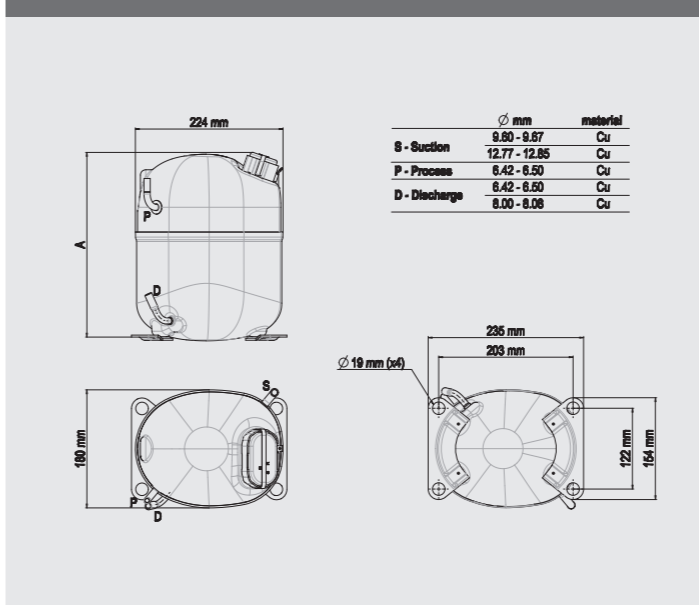
DWG04 - NE / VNE SERIES Universal Base Plate



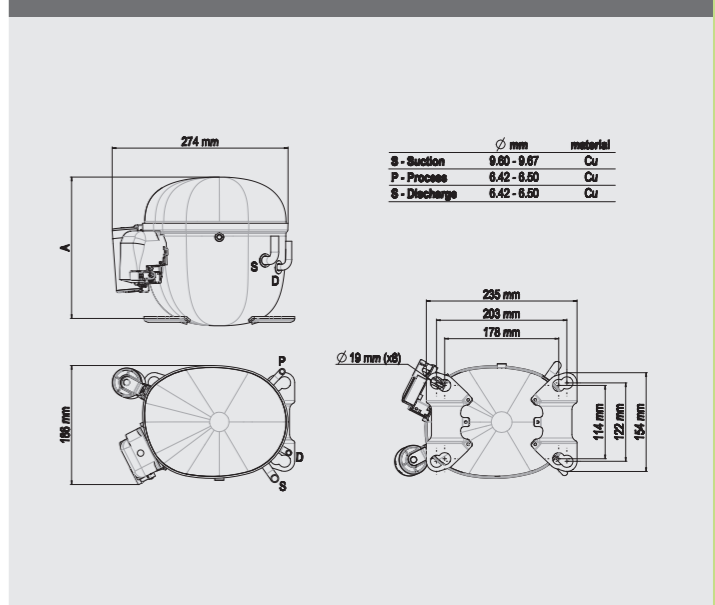
DWG10 - EM SERIES Brasil Base Plate



DWG14 - NJ SERIES

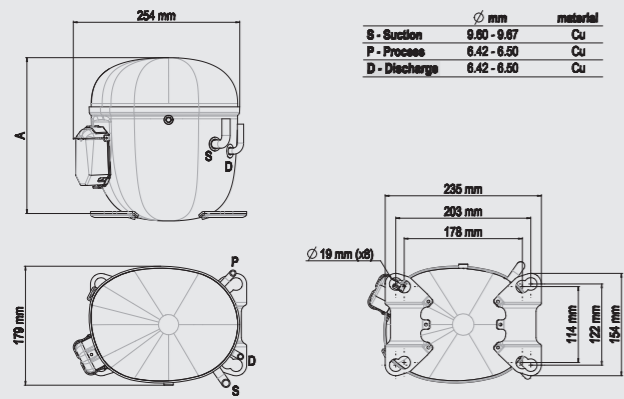


DWG16 - NT SERIES

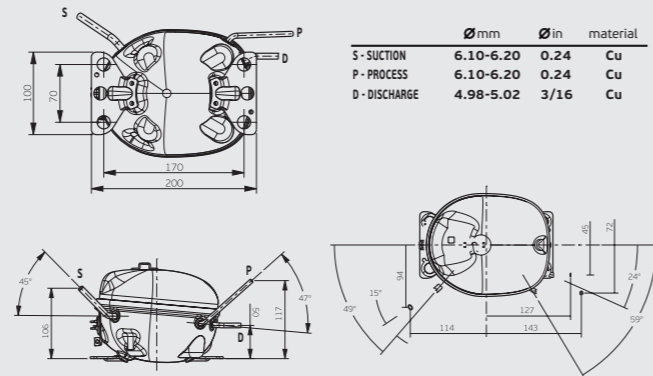


EXTERNAL VIEWS

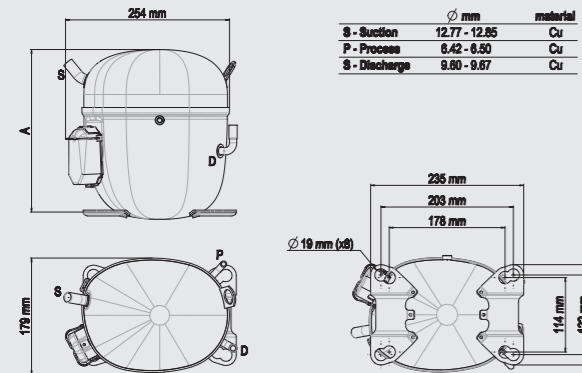
DWG17 - NT SERIES



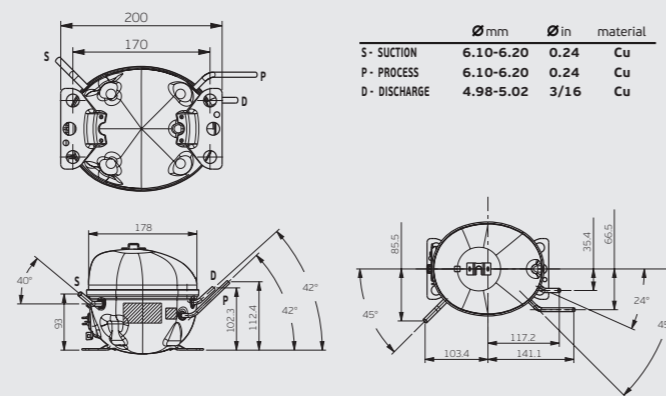
DWG22 - VES SERIES



DWG19 - NTU SERIES



DWG23 - VEM SERIES



WIRING DIAGRAMS KEY

	OVERLOAD PROTECTOR		PTC START DEVICE`
	OVERLOAD PROTECTOR		INTEGRATED PTC DEVICE
	CURRENT START RELAY		CURRENT START RELAY WITH CAPACITOR CONNECTIONS
	3CR CURRENT START RELAY		3ARR3 START RELAY (VOLTAGE).
	RUN CAPACITOR		RUN CAPACITOR (MANDATORY - NOT SUPPLIED)
	OPTIONAL RUN CAPACITOR		START CAPACITOR
	FAN		PUSH BUTTON
	LAMP		SINGLE PHASE MOTOR
	3-PHASE MOTOR		THERMOSTAT
	LOW-HIGH PRESSURE SWITCH		PILOT CIRCUIT 24 OR 220 V
	EARTH CONNECTION		COMMON (INTERNAL OVERLOAD PROTECTOR)
	3-PHASE SUPPLY		START
	SINGLE PHASE SUPPLY		TERMINAL BLOCK
	COMMON		Br BROWN CABLE
	RUN		Bk BLACK CABLE
	Wh WHITE CABLE		Rd RED CABLE
	Bl BLUE CABLE		CONNECTIONS TO BE MADE BY THE CUSTOMER (NOT SUPPLIES)
	YG YELLOW-GREEN CABLE		
	CONNECTIONS SUPPLIED		

WIRING DIAGRAMS

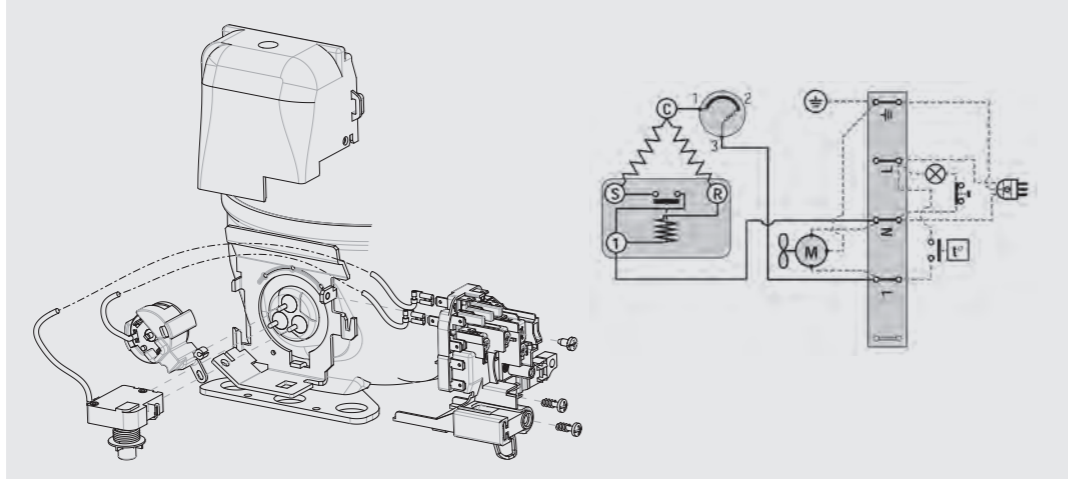
SM00 - EMT/NE SERIES RSIR PTC European Version

SM01 - EMT/NE SERIES RSCR PTC European Version

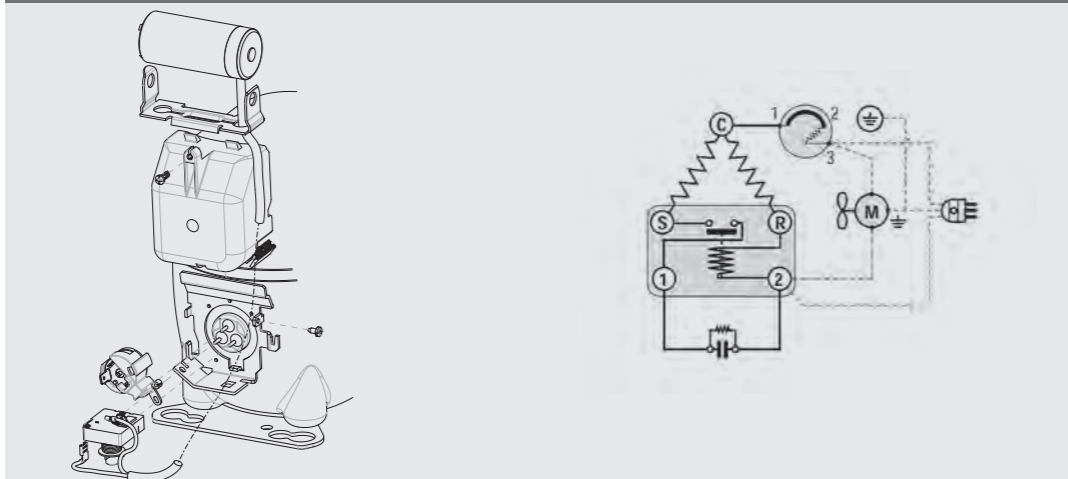
SM02 - EMT/NE SERIES RSCR TSD European Version

WIRING DIAGRAMS

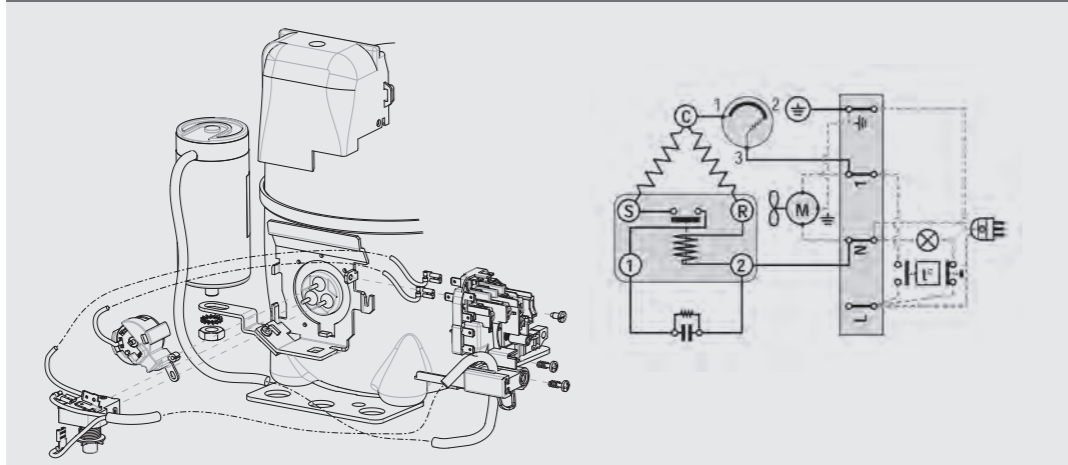
SM03 - EMT/NE SERIES RSIR Terminal Board & Start Device



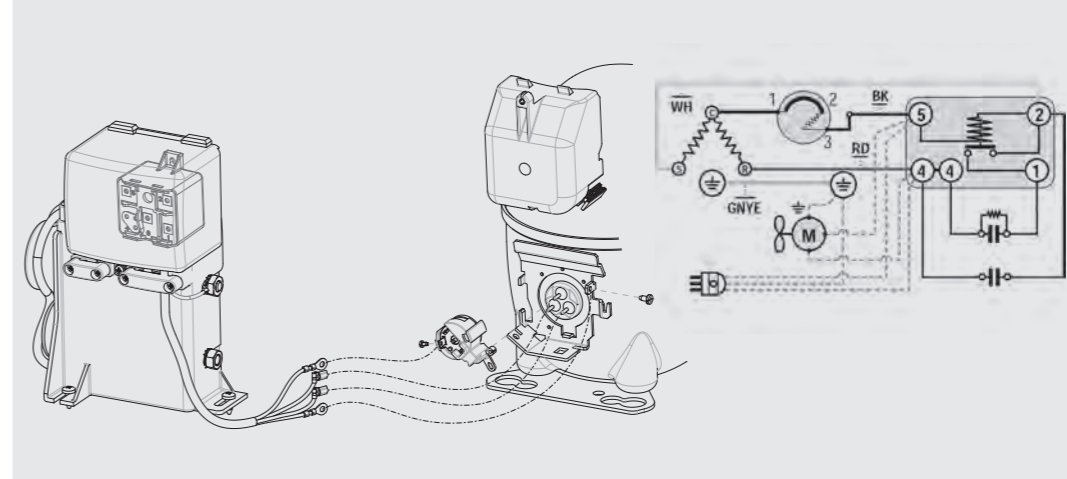
SM04 - EMT/NE SERIES CSIR American Version



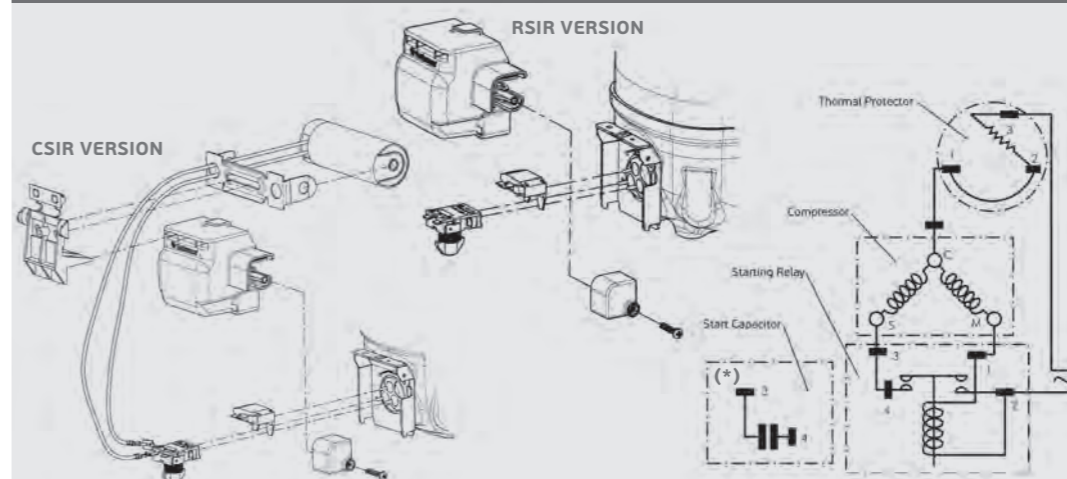
SM05 - EMT/NE SERIES CSIR Terminal Board & Start Device



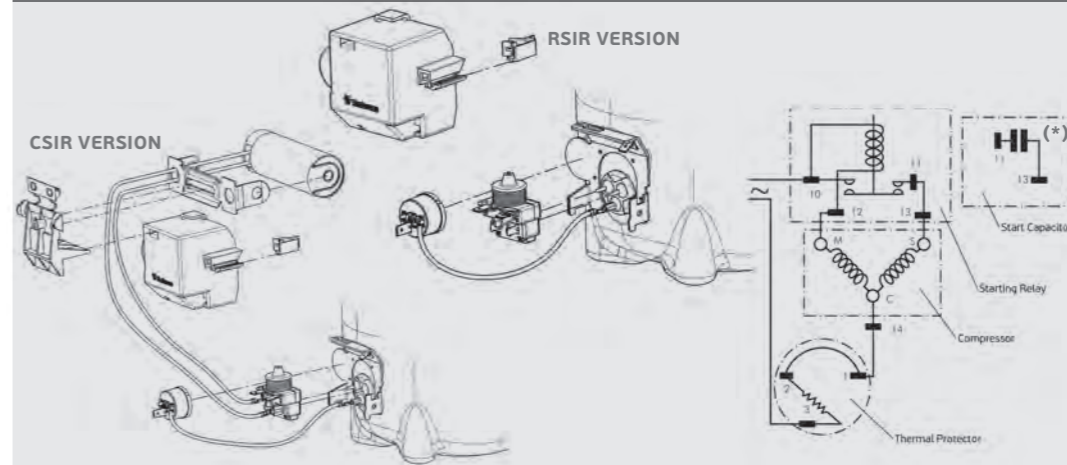
SM06 - NE SERIES CSR Box



SM07 - EM/EMI



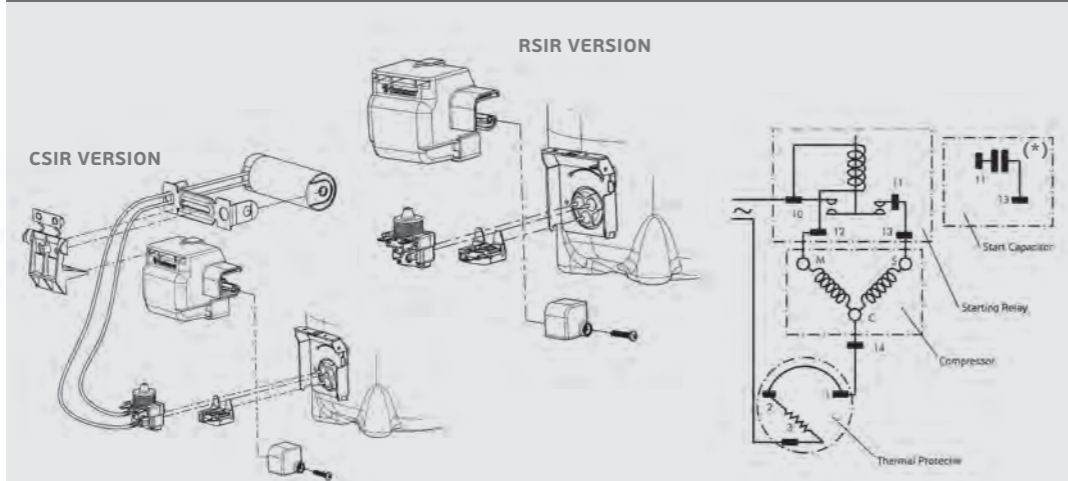
SM08 - F COMPRESSORS



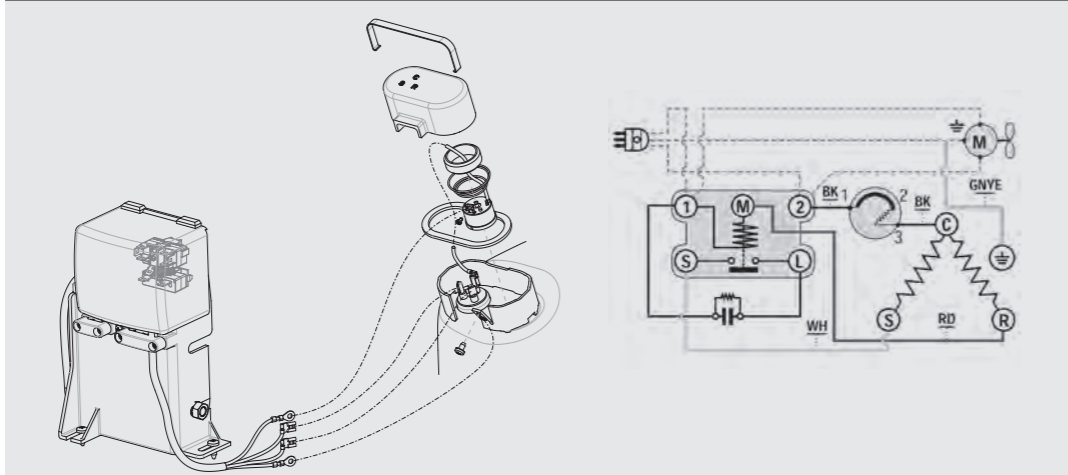
(*) Valid only for CSIR version

WIRING DIAGRAMS

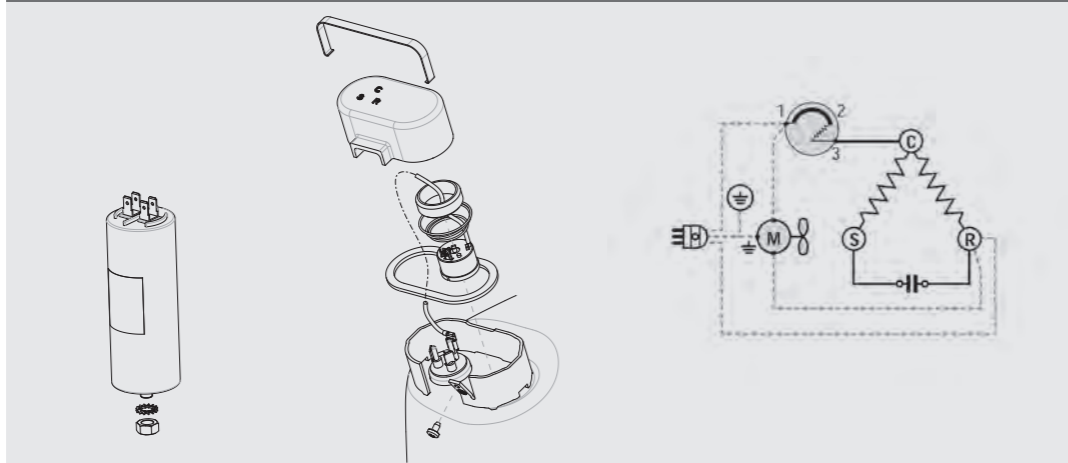
SM09 - EG



SM14 - NJ CSIR Box

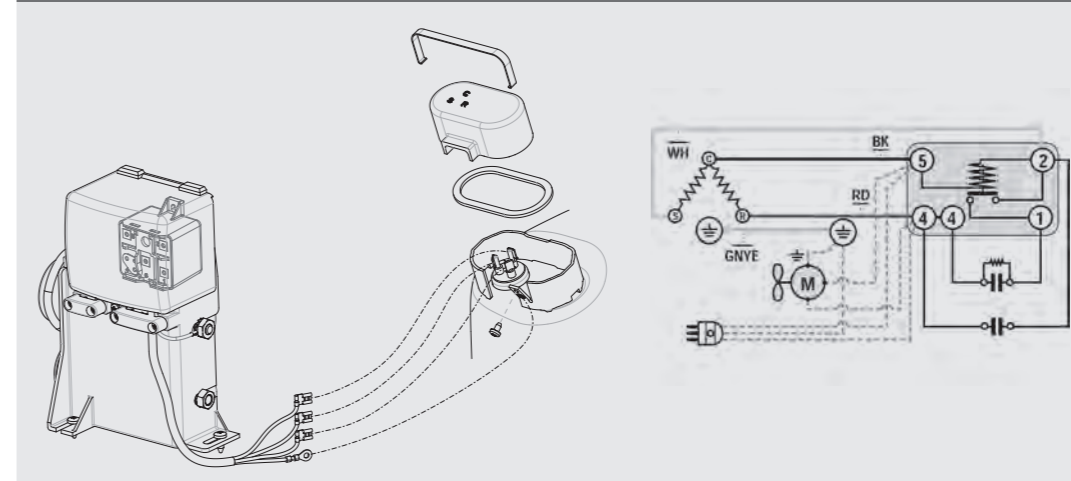


SM15 - NJ PSC

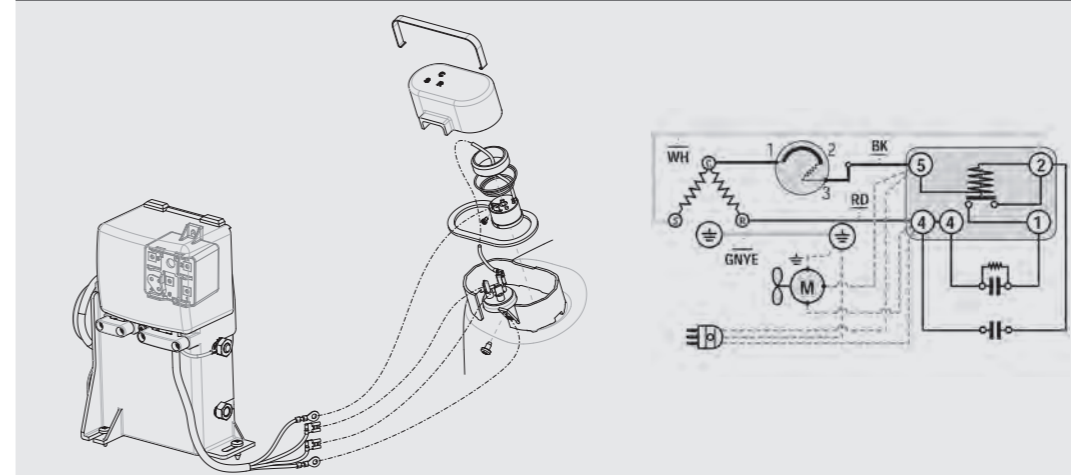


(*) Valid only for CSIR version

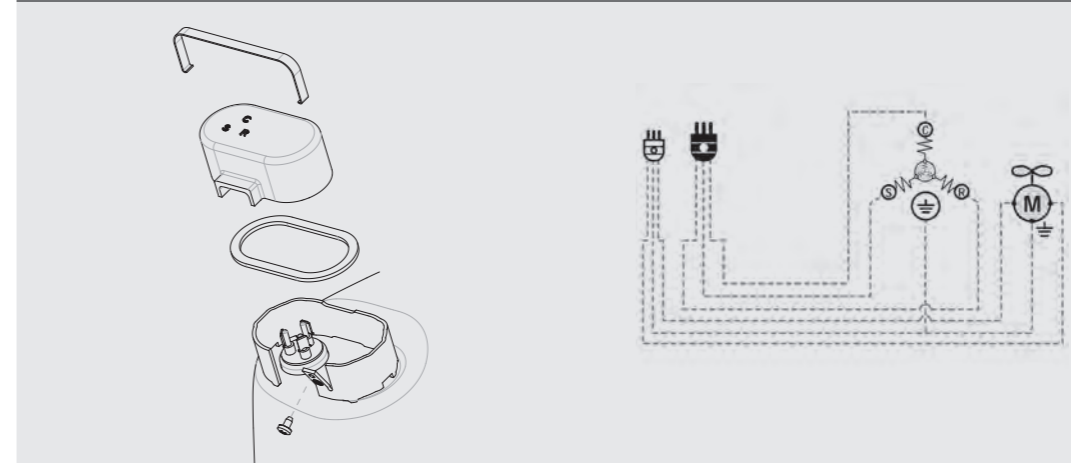
SM16 - NJ SERIES CSR Box (Internal Overload Protector)



SM17 - NJ CSR Box (External Overload Protector)

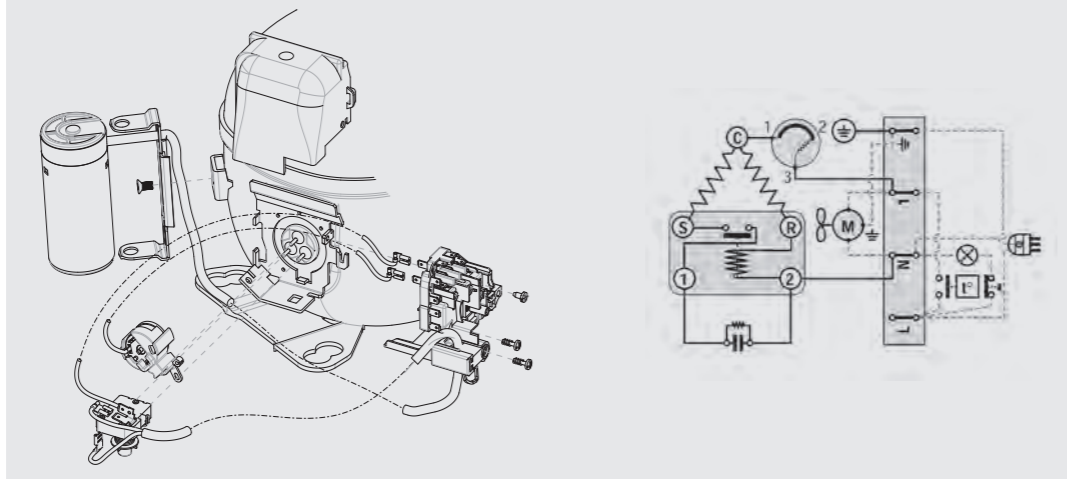


SM18 - NJ SERIES 3-Phase (Internal Overload Protector)

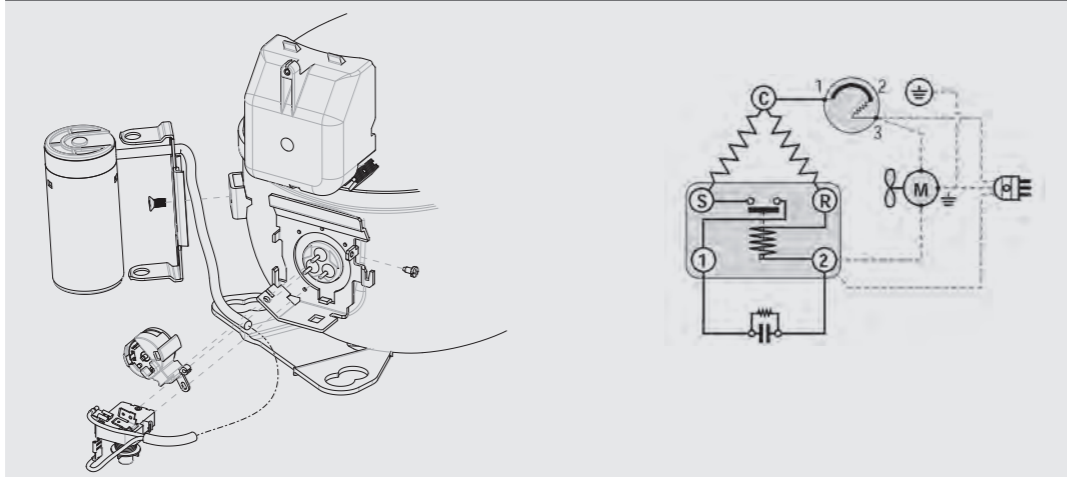


WIRING DIAGRAMS

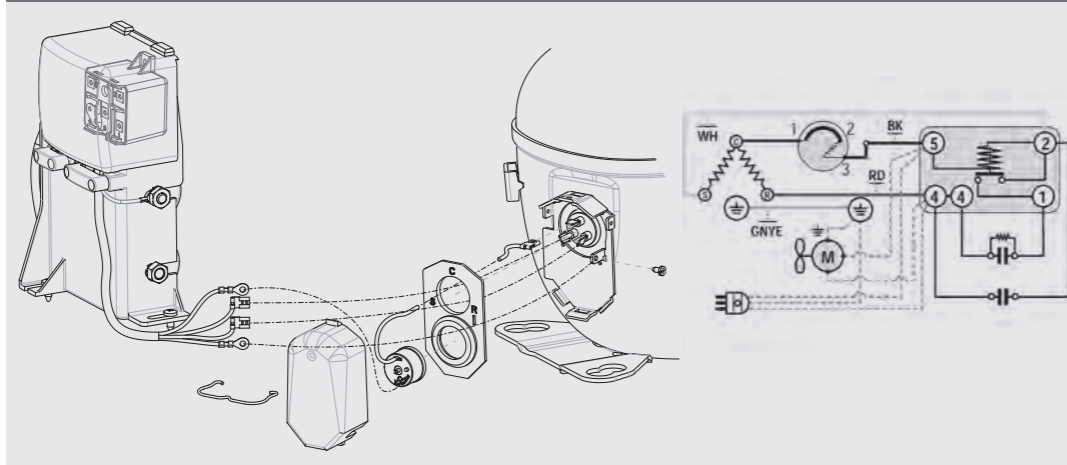
SM19 - NT SERIES CSIR Terminal Board



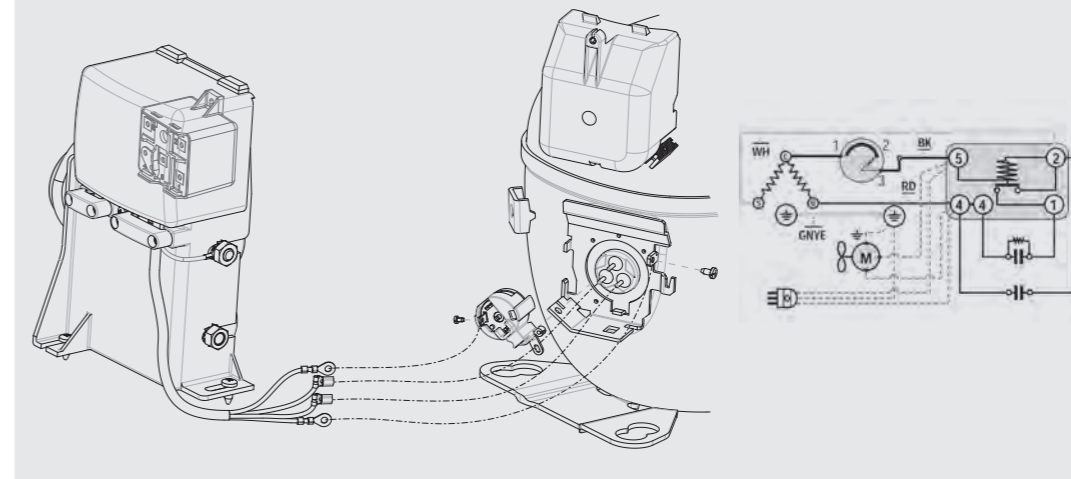
SM20 - NT SERIES CSIR – American Version



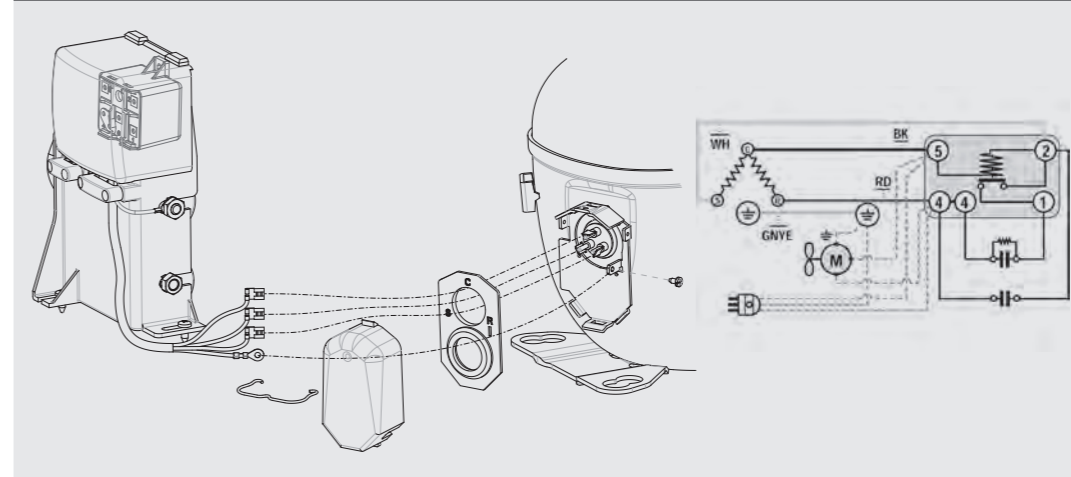
SM21 - NT SERIES CSR Box



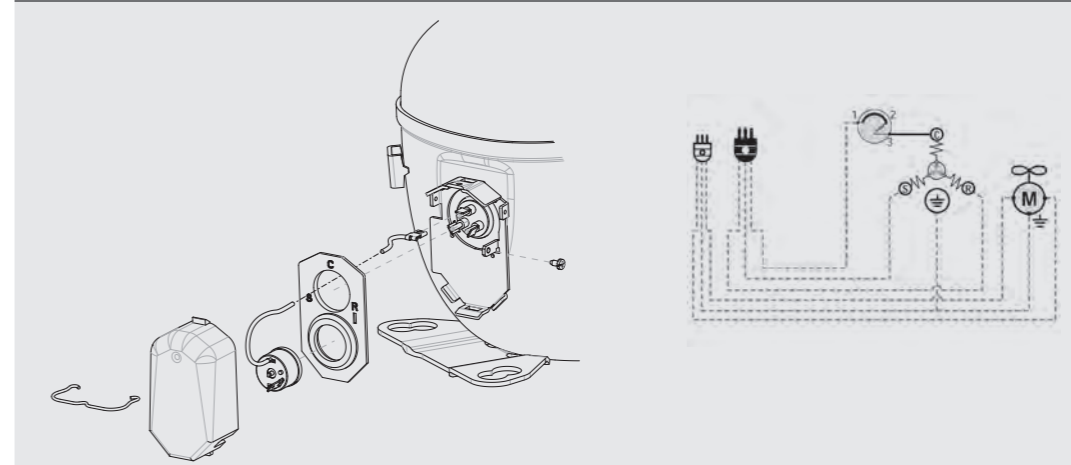
SM23 - NT SERIES CSR Box



SM26 - NT SERIES CSR Box (Internal Overload Protector)

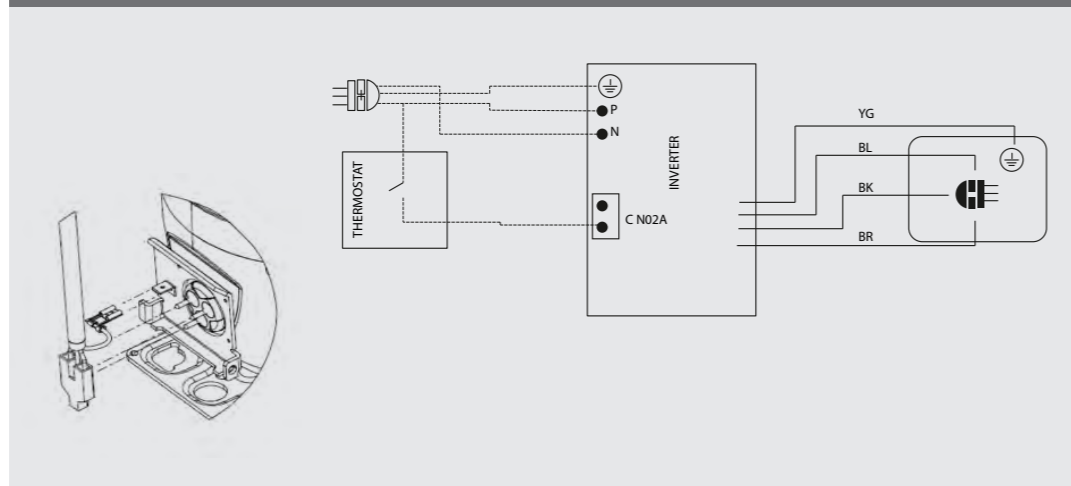


SM27 - NT SERIES 3-Phase (Internal + External Overload Protector)

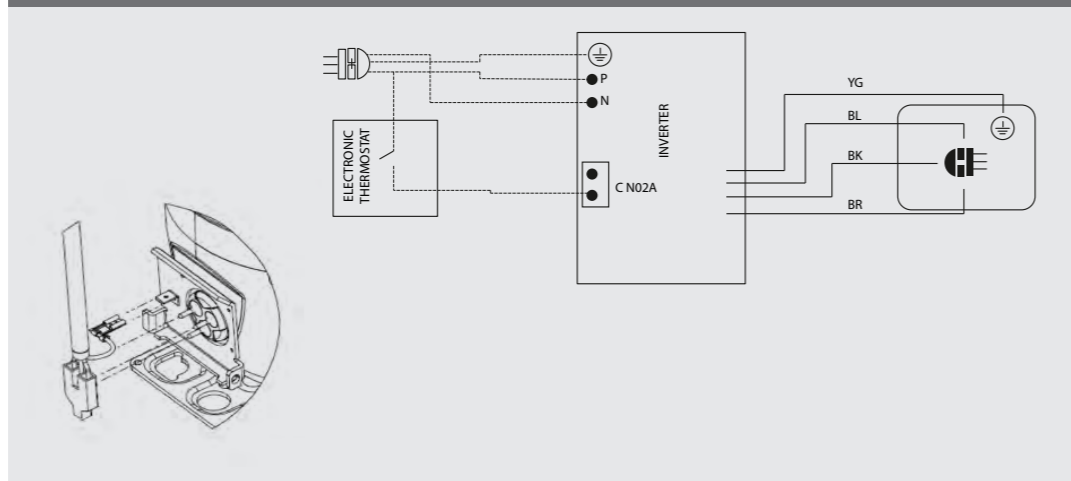


WIRING DIAGRAMS

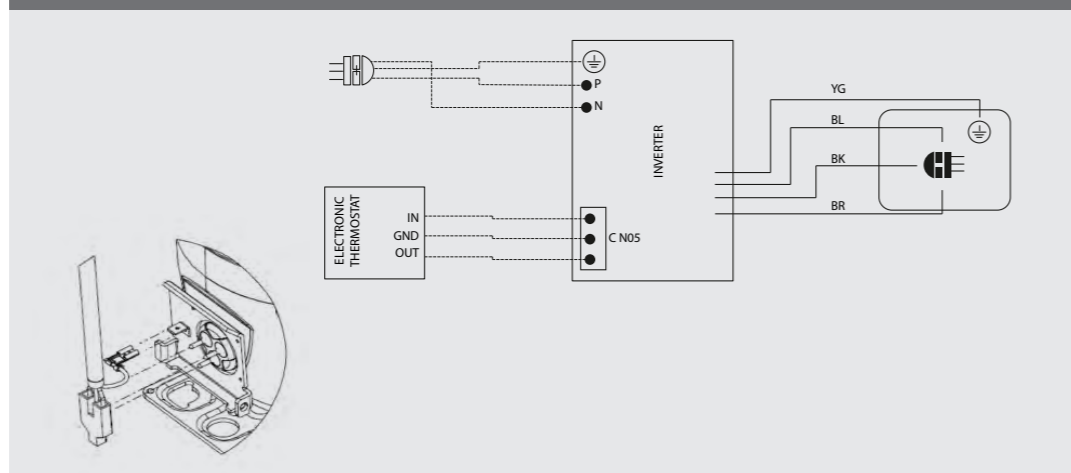
CON01 - VEMY6 / VEG (Drop-in)



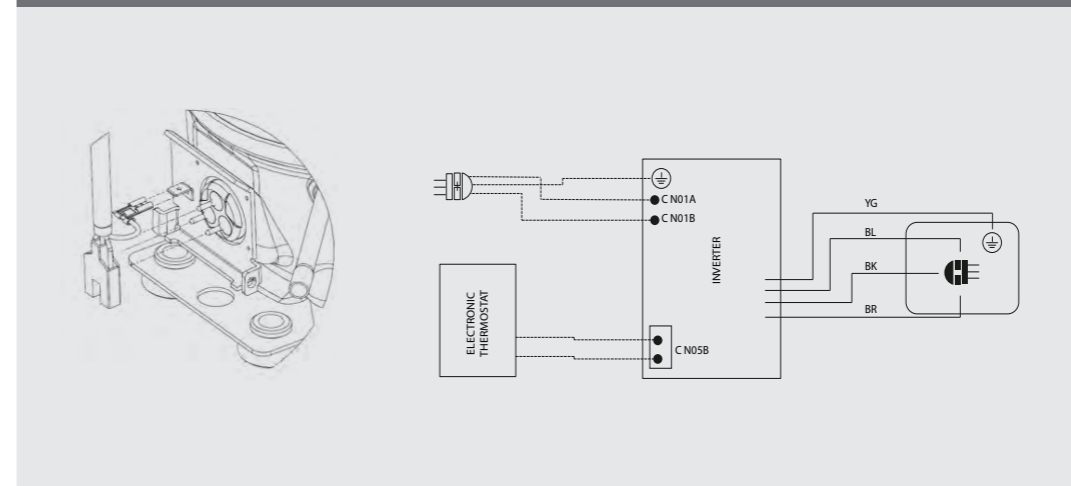
CON02 - VEM / VEG (Frequency)



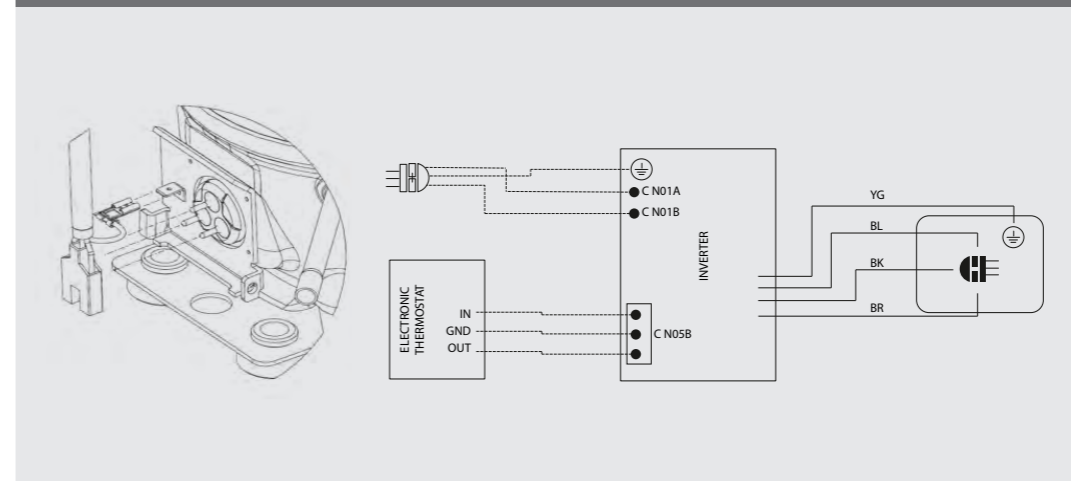
CON03 - VEMY6 / VEG (Serial)



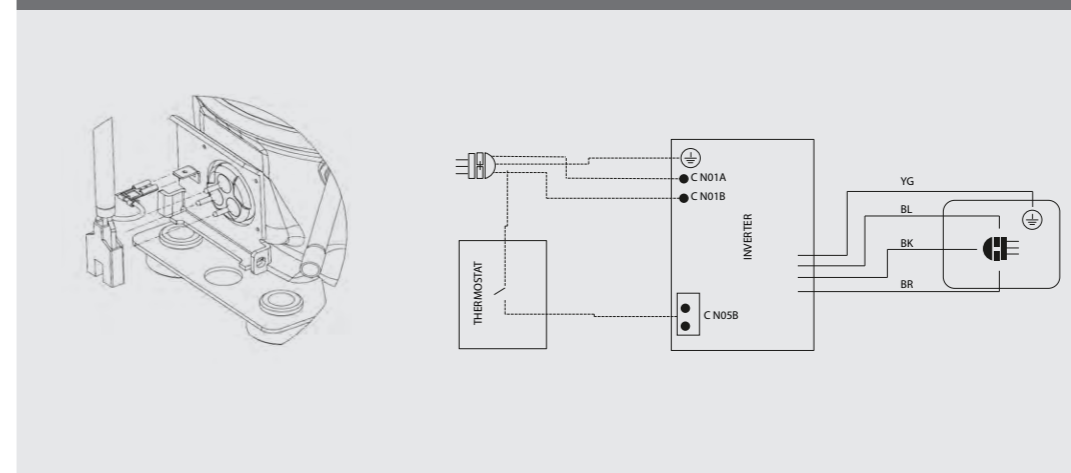
CON04 - VEM (Frequency)



CON05 - VEM (Serial)



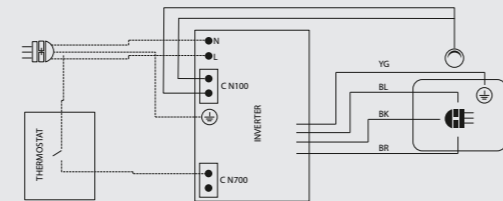
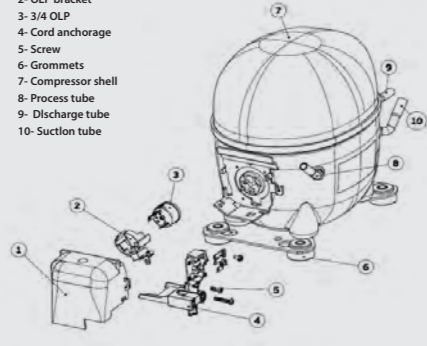
CON06 - VEM (Drop-in)



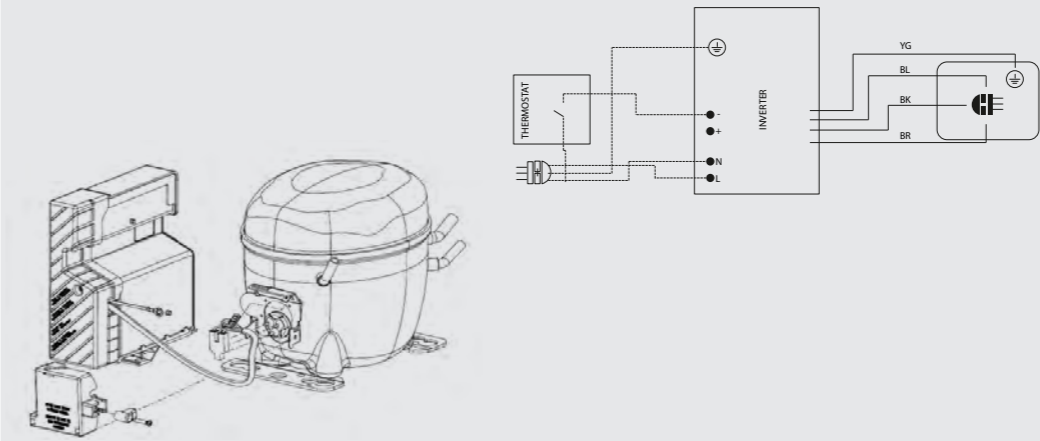
WIRING DIAGRAMS

CON07 - VNE (Drop-in)

- 1- Fence cover
- 2- OLP bracket
- 3- 3/4 OLP
- 4- Cord anchorage
- 5- Screw
- 6- Grommets
- 7- Compressor shell
- 8- Process tube
- 9- Discharge tube
- 10- Suction tube

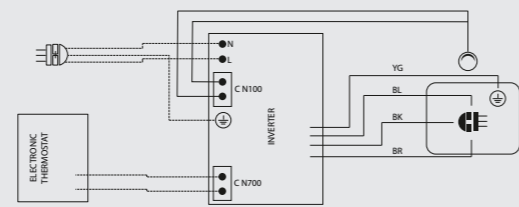
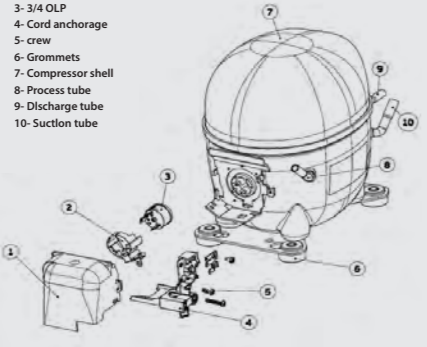


CON10 - VEG (Drop-in)

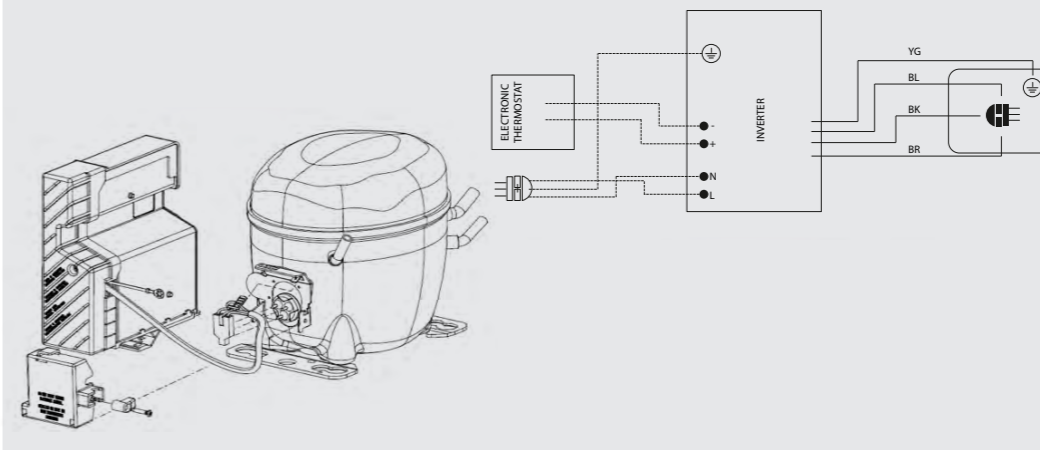


CON08 - VNE (Frequency)

- 1- Fence cover
- 2- OLP bracket
- 3- 3/4 OLP
- 4- Cord anchorage
- 5- crew
- 6- Grommets
- 7- Compressor shell
- 8- Process tube
- 9- Discharge tube
- 10- Suction tube

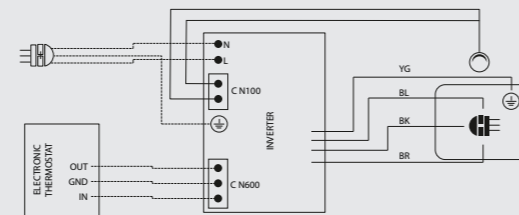
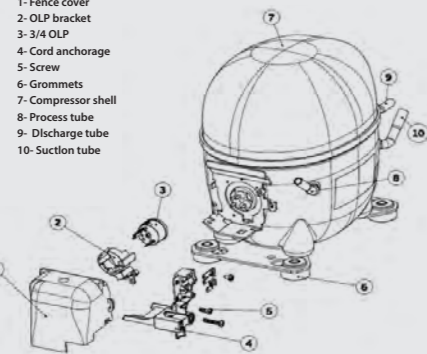


CON11 - VEG (Frequency)



CON09 - VNE (Serial)

- 1- Fence cover
- 2- OLP bracket
- 3- 3/4 OLP
- 4- Cord anchorage
- 5- Screw
- 6- Grommets
- 7- Compressor shell
- 8- Process tube
- 9- Discharge tube
- 10- Suction tube



FULLMOTION DRIVERS (INVERTERS)



INTRODUCTION



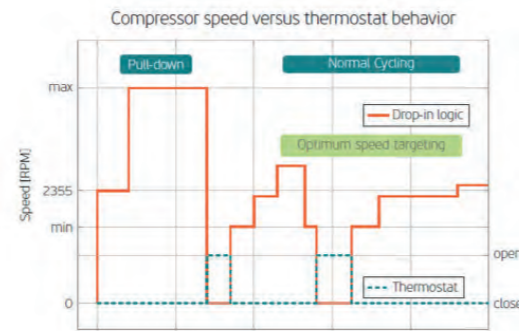
The Embraco Fullmotion Inverter compressors are ideal for commercial applications where wide voltage range, fast pull down, optimized performance, temperature range control, lower power consumption and very low noise and vibration levels are required. This is possible thanks to the use of an electronic inverter capable of driving the compressor at different speeds and consequently, controlling its refrigeration capacity.

Embraco Fullmotion Inverter technology allows the compressor to operate at different speeds, adjusting itself according to demand. When comparing side by side with a conventional compressor, it can save up to 40% on the energy consumption in an application.

CONTROL MODES

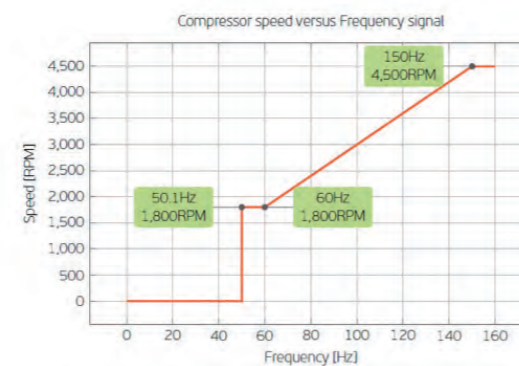
DROP-IN CONTROL MODE

The drop-in mode is a control mode where a simple on-off signal is used to drive the compressor, thus allowing it to be applied in any refrigeration system without the need of a control signal from an electronic controller. The compressor speed will be driven automatically by the inverter, in accordance to the thermal load variation.



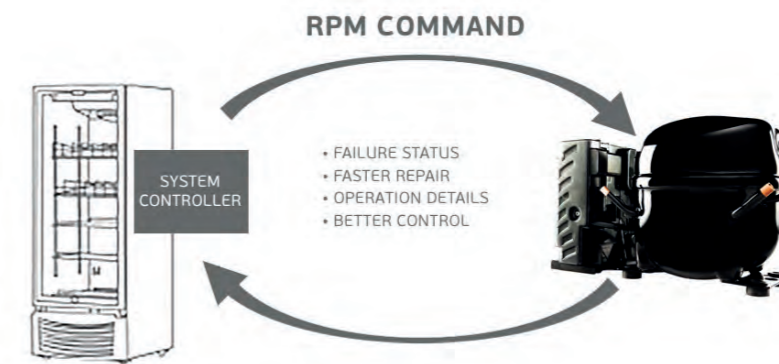
FREQUENCY CONTROL MODE

In this mode of operation the compressor speed is controlled through a frequency signal sent to the inverter, usually provided by an electronic controller. The frequency signal is a digital square wave varying typically from 53 to 150 Hz. The compressor will then be driven by the frequency signal sent to the inverter.

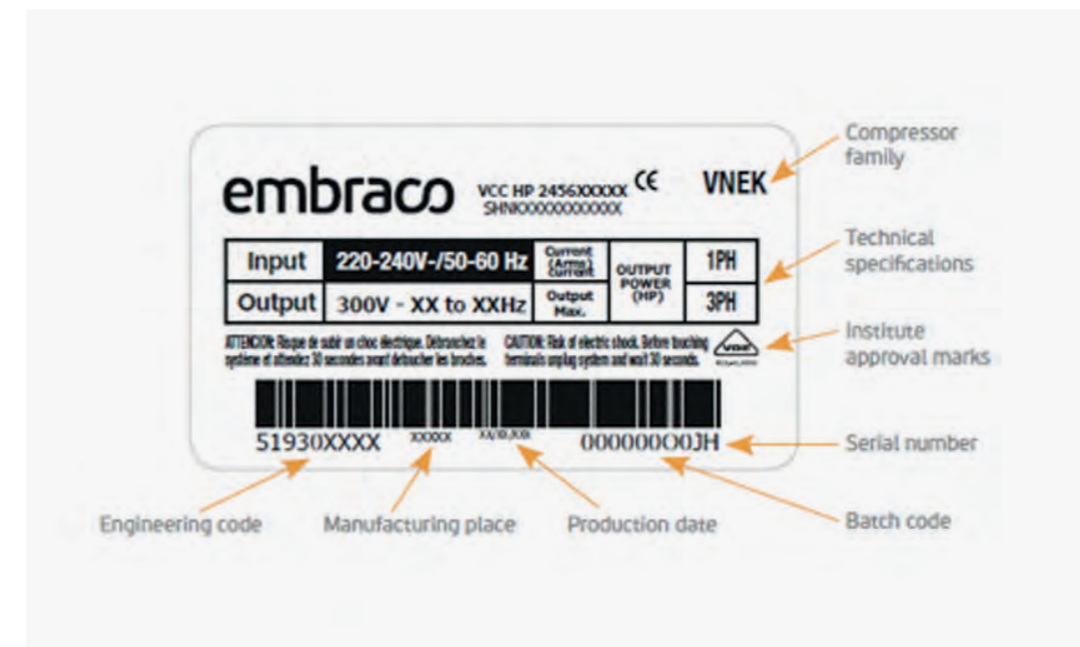


SERIAL CONTROL MODE

This option is used when an electronic controller controls the Inverter using a serial communication protocol. This control mode establishes a 2-way communication between the inverter and the system controller. Based on Embraco protocol it is possible to define the compressor speed and check other parameters, such as operating RPM and failure status. These responses from the inverter can be used by the controller in order to help failure diagnostics and repair in less time.



LABEL

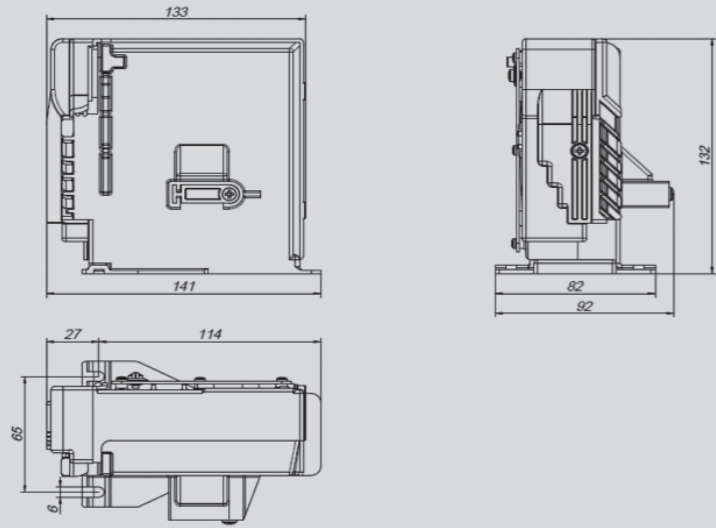


TYPE	COMPRESSOR MODEL				NOMINAL VOLTAGE	CONTROL MODE	INVERTER FAMILY	MAX. POWER (W)	MAX. CURRENT DRAW (A)	RPM RANGE	PFC	ENCLOSURE VERSION	EXTERNAL DRAWING CODE	CONNECTION			
	VEMY3H	VEMY4H	VEMY5H	VEMY7C													
BR	VEM	VEMY3H	VEMY4H	VEMY5H	VEMY7C	220-240V/50-60HZ	FREQUENCY	VCC3	200	2,1	NOTE 1	ATTACHED	INV2	CON04			
		VEMY3HM	VEMY4HM			220-240V/50-60HZ	DROPIN					NA	STAND ALONE	INV5	CON06		
						24V / DC	DROPIN	24V DC	320	15					CON12		
		VEMY6HH				220-240V/50-60HZ	SERIAL	VCC3-CO	320		1600/4500	NOTE 1	STAND ALONE	INV1	CON03		
						220-240V/50-60HZ	FREQUENCY										CON02
						220-240V/50-60HZ	DROPIN										CON01
		VEMZ5C				220-240V/50-60HZ	FREQUENCY								ATTACHED		CON04
						220-240V/50-60HZ	DROPIN										CON06
		VEMX5C				220-240V/50-60HZ	FREQUENCY										CON04
						220-240V/50-60HZ	DROPIN										CON06
		VEMC5C*				220-240V/50-60HZ	FREQUENCY										CON04
						220-240V/50-60HZ	DROPIN										CON06
		VEMZ7C*				220-240V/50-60HZ	FREQUENCY										CON04
						220-240V/50-60HZ	DROPIN										CON06
	VEMX7C*				220-240V/50-60HZ	FREQUENCY										CON04	
					220-240V/50-60HZ	DROPIN										CON06	
	VEMC7C*				220-240V/50-60HZ	FREQUENCY	VCC3	200	2,1						INV2	CON04	
					220-240V/50-60HZ	DROPIN							CON06				
	VEMZ9C*				220-240V/50-60HZ	FREQUENCY							CON04				
					220-240V/50-60HZ	DROPIN							CON06				
VEMX9C*				220-240V/50-60HZ	FREQUENCY							CON04					
				220-240V/50-60HZ	DROPIN							CON06					
VEMC9C*				220-240V/50-60HZ	FREQUENCY							CON04					
				220-240V/50-60HZ	DROPIN							CON06					
VEG	VEGZ11C*					220-240V/50-60HZ	FREQUENCY			1600/3600			CON04				
						220-240V/50-60HZ	DROPIN			2200/4500			CON06				
						220-240V/50-60HZ	FREQUENCY					ATTACHED	CON04				
	VEGT7H				220-240V/50-60HZ	DROPIN					STAND ALONE	CON06					
	VEGT8HB	VEGT11HB			220-240V/50-60HZ	FREQUENCY	VCC3-CO	320		1600/4500		STAND ALONE	INV1	CON02			
				220-240V/50-60HZ	DROPIN								CON01				
EU	VES	VESD3C				220-240V/50-60HZ	FREQUENCY			1300/4500	NOTE 1	ATTACHED	INV4	CON04			
						220-240V/50-60HZ	DROPIN							CON06			
		VESA5C	VESD5C			220-240V/50-60HZ	FREQUENCY	VES	200					2,1	CON04		
						220-240V/50-60HZ	DROPIN							CON06			
		VESA7C	VESD7C			220-240V/50-60HZ	FREQUENCY							CON04			
						220-240V/50-60HZ	DROPIN							CON06			
		VESA9C	VESC9C	VESD9C		220-240V/50-60HZ	FREQUENCY							CON04			
						220-240V/50-60HZ	DROPIN							CON06			
	VESC11C	VESD11C			220-240V/50-60HZ	FREQUENCY			CON04								
					220-240V/50-60HZ	DROPIN			CON06								
	VNEK	VNEK207U	VNEK206GK			220-240V 50/60HZ 1~	SERIAL		500	2000/4500	ACTIVE	STAND ALONE	INV3	CON09			
						220-240V 50/60HZ 1~	FREQUENCY							CON08			
						220-240V 50/60HZ 1~	DROPIN							CON07			
		VNEK213U	VNEU213U	VNEK606GK	VNEK610Z	220-240V 50/60HZ 1~	SERIAL		800					CON09			
220-240V 50/60HZ 1~						FREQUENCY			CON08								
220-240V 50/60HZ 1~						DROPIN			CON07								
VNEU217U	VNEK609GK	VNEK212GK	VNEK614Z	220-240V 50/60HZ 1~	SERIAL		1000	CON09									
				220-240V 50/60HZ 1~	FREQUENCY			CON08									
				220-240V 50/60HZ 1~	DROPIN			CON07									

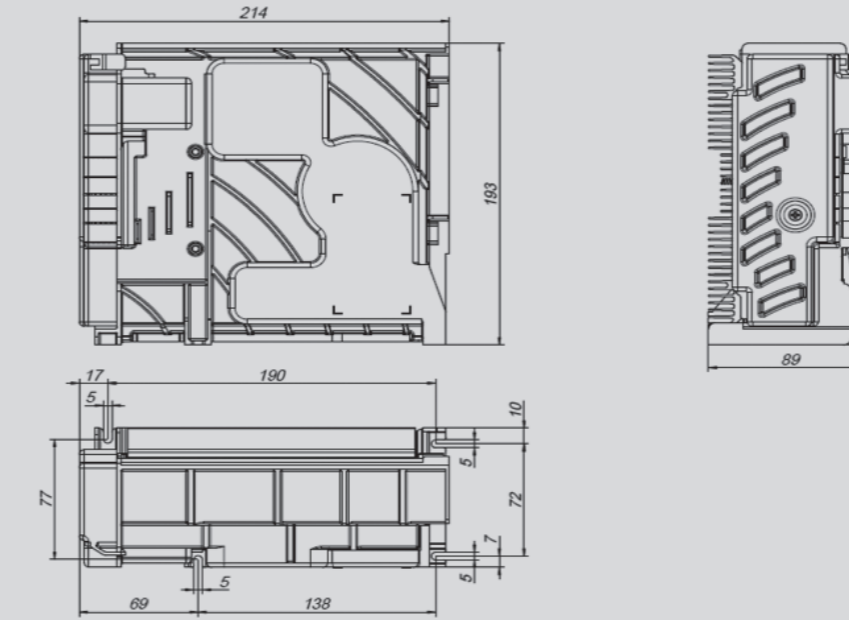
COMPRESSOR MODEL	NOMINAL VOLTAGE	CONTROL MODE	INVERTER FAMILY	MAX. POWER (W)	MAX. CURRENT DRAW (A)	RPM RANGE
VEGT8U	220-240V/50-60HZ	FREQUENCY/DROPIN	CURRENT HP/FUTURE MAIA	1000	6,2	1800 - 4500
	220-240V/50-60HZ	FREQUENCY/DROPIN	MP2	500	3,3	1800 - 4500

All inverters are VDE approved
 Note 1: Presented models are without PFC. PFC models to be requested.
 *inverter available at 115-127V 50/60Hz upon request

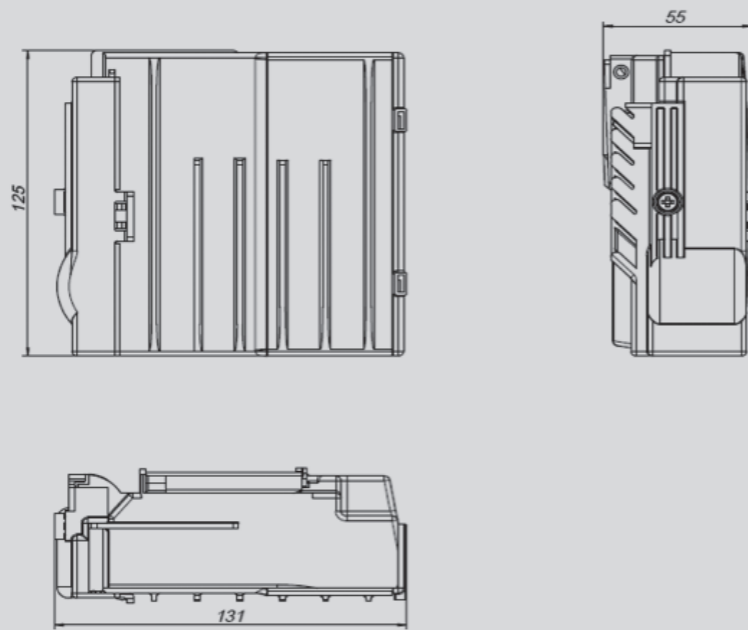
INV1



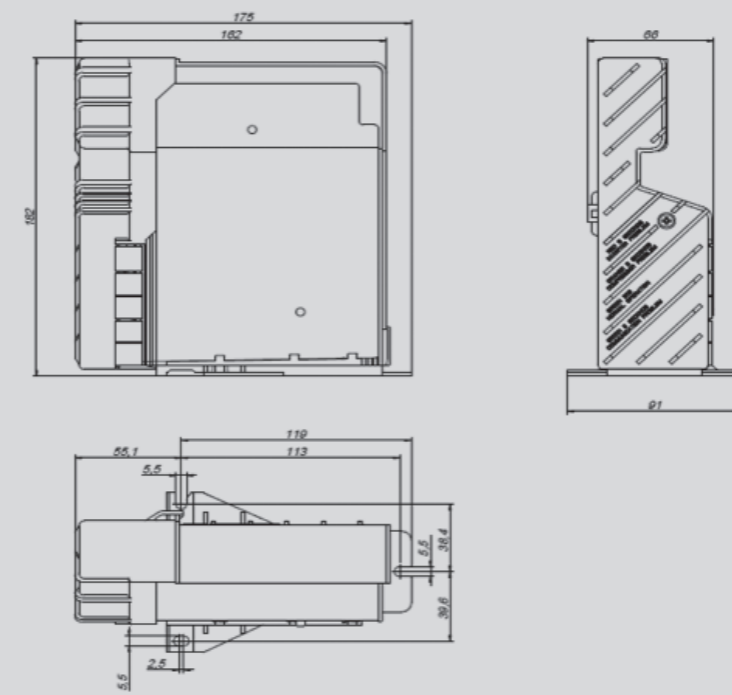
INV3



INV2



INV4



LOCATIONS



BRAZIL
 Rui Barbosa, 1020 - P.O. BOX 91
 89219-901 - Joinville - SC - Brazil
 Phone: +55 47 3441-2121
 Fax: + 55 47 3441-2780



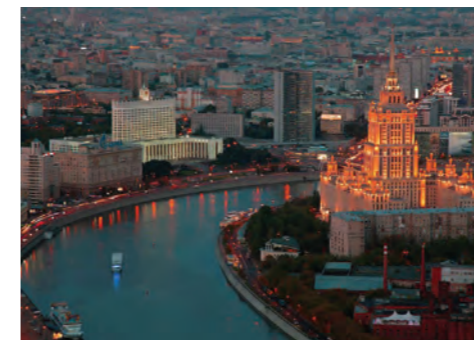
CHINA
 29 Yuhua Road
 Area B of Beijing Tianzhu Airport industrial Zone
 101312 - Beijing - China
 Phone: +86 10 8048-2255
 Fax: +86 10 6725-6825



ITALY
 Via Pietro Andriano, 12
 10020 - Riva Presso Chieri (Torino) - Italy
 P.O. BOX 151 - 10023 Chieri (TO)
 Phone: +39 011 943-7111
 Fax: +39 011 946-8377
 +39 011 946-9950



EMBRACO MÉXICO
 Avenida de las Industrias 501 PIMSA
 Oriente Apodaca
 Nuevo León - México
 Phone: +52 81 4780-6700



RUSSIA
 BC Lotos
 Office 13 - 5 floor, room III
 Odesskaya st., 2 - Moscow 117638 - Russia
 Phone: +7 495 640-7050
 Fax: +7 495 640-7060
 General manager : Mr. Vladimir Demyachenko



SLOVAKIA
 Odorinska Cesta, 2 - 052-01
 Spišská Nová Ves - Slovakia
 Phone: +42 153 417-2291
 +42 153 417-2293
 Fax: +42 153 417-2299



U.S.A.
 1610 Satellite Blvd - Suite B
 Duluth, GA 30097
 Phone: +1 800 548-9498
 Fax: +1 877 631-9016
 Tech Support: +1 678 804-1374



GLOBAL PRESENCE

CONTACT US:
marketing.europe@embraco.com

SALES OFFICE:
Via Pietro Andriano, 12
10020 – Riva presso Chieri (TO) - Italy